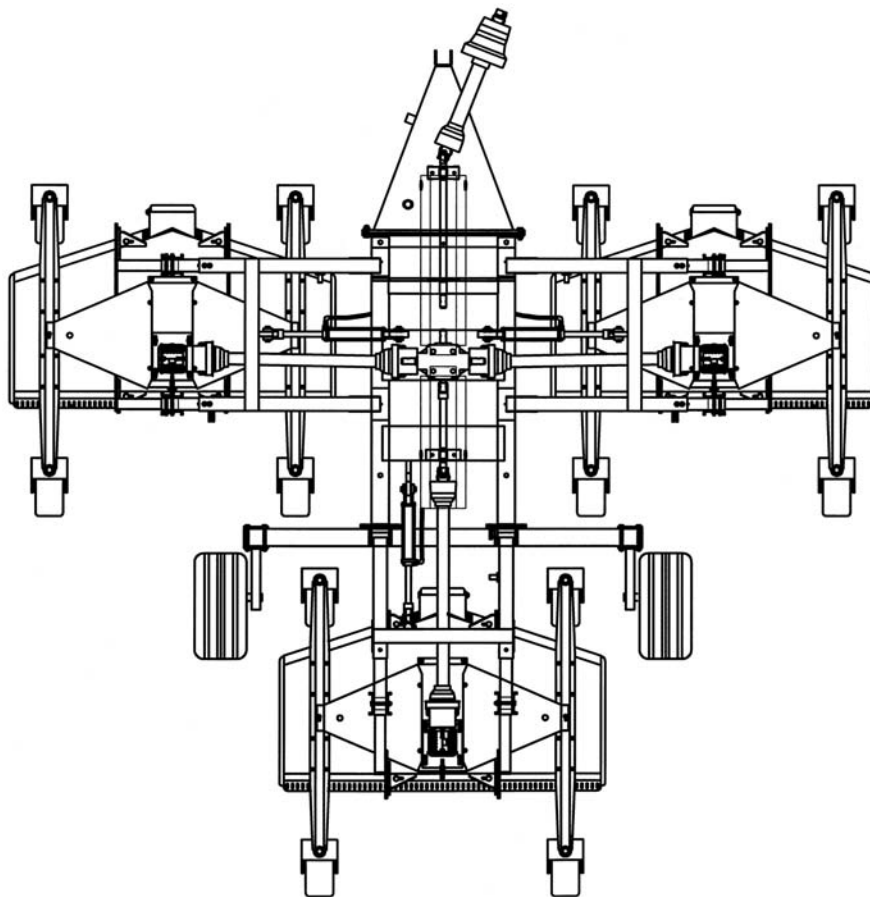


BEFCO[®]

Operator's Manual

CYCLONE SUPER-FLEX

Gang Grooming Mower
412-SFL, 415-SFL, 417-SFL, 420-SFL



The operator's manual is a technical service guide and must always accompany the machine.

Manual 961-208B

January 2020

SAFETY

Take note! This safety alert symbol found throughout this manual is used to call your attention to instructions involving your personal safety and the safety of others. Failure to follow these instructions can result in injury or death.



*This symbol means:
ATTENTION!
BECOME ALERT!
YOUR SAFETY IS INVOLVED!*

Signal Words

Note the use of the signal words DANGER, WARNING and CAUTION with the safety messages. The appropriate signal words for each have been selected using the following guidelines:



DANGER: Indicates an imminently hazardous situation that, if not avoided, will result in death or serious injury.



WARNING: Indicates a potentially hazardous situation that, if not avoided, could result in death or serious injury, and includes hazards that are exposed when guards are removed. It may also be used to alert against unsafe practices.



CAUTION: Indicates a potentially hazardous situation that, if not avoided, may result in minor or moderate injury.

INDEX

| | |
|---|----|
| 1 - GENERAL INFORMATION | 4 |
| 1.01 - General | 4 |
| 1.02 - Warranty Information | 4 |
| 1.03 - Model and Serial Number ID | 5 |
| 2 - SAFETY PRECAUTIONS | 6 |
| 2.01 - Preparation | 6 |
| 2.02 - Starting and Stopping | 7 |
| 2.03 - Messages and Signs | 7 |
| 3 - OPERATION | 11 |
| 3.01 - Operational Safety | 11 |
| 3.02 - Setup and Assembly Instructions | 13 |
| 3.03 - Light Kit Installation | 16 |
| 3.04 - Cutting Height Adjustment | 18 |
| 3.05 - Pre-Operational Check | 19 |
| 3.06 - Attaching to the Tractor | 20 |
| 3.07 - Constant Velocity Driveline | 22 |
| 3.08 - Hydraulic Lift System | 22 |
| 3.09 - Frame Adjustments | 23 |
| 3.10 - Start Up | 27 |
| 3.11 - Working Speed | 29 |
| 3.12 - Operating Techniques | 30 |
| 3.13 - Uneven Terrain | 31 |
| 4 - MAINTENANCE | 32 |
| 4.01 - Maintenance Safety | 32 |
| 4.02 - Service | 33 |
| 4.03 - Blade Maintenance | 36 |
| 4.04 - Belt Tension | 38 |
| 4.05 - Belt Replacement | 39 |
| 4.06 - Drivelines and Center Gearbox Timing | 40 |
| 4.07 - Transport | 41 |
| 4.08 - Storage | 42 |
| 5 - REPAIR PROCEDURES | 44 |
| 5.01 - Gearbox | 44 |
| 5.02 - Blade Spindle | 44 |
| 5.03 - Suggested Spare Parts | 45 |
| 6 - TROUBLESHOOTING | 46 |
| 7 - PRE-DELIVERY CHECKLIST | 48 |
| 8 - WARRANTY | 49 |

1 - GENERAL INFORMATION

Thank you and congratulations for having chosen our implement. Your new gang grooming mower is a technologically advanced machine constructed of high quality, sturdy components that will fulfill your working expectations. Read this manual carefully. It will instruct you on how to operate and service your mower safely and correctly. Failure to do so could result in personal injury and/or in equipment damage.

1.01 - General

The implement described in this manual is to be used with tractors with PTO at 540 rpm and clockwise rotation.



CAUTION: Always ensure that the coupling of the implement with the tractor is done at the same PTO speed and direction of rotation. Do not operate this implement at a PTO speed or direction of rotation other than that shown on the implement. Serious damage can occur to the machine and/or the operator.



CAUTION: Unless otherwise specified, all hardware is metric. Use only metric tools on metric hardware. Other tools that do not fit properly can slip and cause injury.



CAUTION: Right hand and left hand sides of the implement are determined by facing in the direction the implement will travel when going forward (see fig. 2).

1.02 - Warranty Information

Carefully read the Warranty section¹, detailing coverage and limitations of this warranty. **Warranty** is provided for customers who operate and maintain their equipment as described in this manual. Warranty registration is accomplished by the dealer by completing and forwarding the **Warranty Registration** form to the Company, along with a copy of the dealer's invoice. It is in your best interest to insure that this has been done.

Warranty does not cover the following:

1. Cleaning, transporting, mailing and service call charges.

¹ See Chapter 8 - Warranty.

2. Normal wear items such as belts, blades, bearings, drivelines, shear pins, slip clutches, hydraulic hoses and seals, tires, etc.
3. Depreciation or damage caused by normal wear, accidents, improper maintenance, improper protection or improper use.
4. The use of non-original spare parts and accessories.

Your Authorized Company Dealer has genuine parts in stock. Only these approved replacement parts should be used.

This limited warranty covers defective material and workmanship. The cost of normal maintenance or repairs for accidents or improper use and related labor will be borne by the owner.

1.03 - Model and Serial Number ID

Attached to the frame is an ID plate showing the model and the serial number. Record your implement model and serial number in the space provided below. Your dealer needs this information to give you prompt, efficient service when you order parts.

| | |
|-----------------|---|
| BEFCO | 1781 S. Wesleyan Blvd. – P.O. Box 6036 Rocky Mount, N.C. 27802 – U.S.A. Tel: 1.252.977.9920 Fax: 1.252.977.9718 |
| MODEL: | |
| SERIAL: | |
| VERSION: | |

2 - SAFETY PRECAUTIONS

Safety is the primary concern in the design and manufacture of our products. Unfortunately our efforts to provide safe equipment can be wiped out by a single careless act of an operator.

In addition to the design and configuration of equipment, hazard control and accident prevention are dependent upon the awareness, concern, prudence and proper training of personnel involved in the operation, transport, maintenance and storage of equipment. It is the operator's responsibility to read and understand all safety and operating instructions in the manual and to follow these.

Allow only properly trained personnel to operate the mower. Working with unfamiliar equipment can lead to careless injuries. Read this manual, and the manual for your tractor, before assembly or operation, to acquaint yourself with the machines. It is the mower owner's responsibility, if this machine is used by any person other than yourself, is loaned or rented, to make certain that the operator, prior to operating, reads and understands the operator's manuals and is instructed in safe and proper use.

2.01 - Preparation



1. Before operating equipment read and understand the operator's manual and the safety signs (**see fig. 2**).
2. Thoroughly inspect the implement before initial operation to assure that all packaging materials, i.e. wires, bands, and tape have been removed.
3. Personal protection equipment including hard hat, safety glasses, safety shoes, and gloves are recommended during assembly, installation, operation, adjustment, maintaining and/or repairing the implement.
4. Operate the mower only with a tractor equipped with an approved Roll-Over-Protective-System (ROPS). Always wear your seat belt. Serious injury or even death could result from falling off the tractor.
5. Clear area to be cut of stones, branches or other debris that might be thrown, causing injury or damage.
6. Operate only in daylight or good artificial light.
7. Ensure mower is properly mounted, adjusted and in good operating condition.
8. Ensure that all safety shielding and safety signs are properly installed and in good condition.

2.02 - Starting and Stopping



1. Be sure that no one is near the machine prior to engaging or while the machine is working.
2. Be sure the tractor is in "Neutral" before starting engine.
3. Mower operating power is supplied from tractor PTO. Refer to your tractor manual for PTO engagement and disengagement instructions. Always operate PTO at 540 rpm. Know how to stop the tractor and mower quickly in case of an emergency.
4. When engaging PTO, the engine rpm should always be low. Once engaged and ready to start cutting, raise PTO speed to 540 rpm and maintain throughout cutting operation.
5. Check the tractor master shield over the PTO stub shaft. Make sure it is in good condition and fastened securely to the tractor. Purchase a new shield if old shield is damaged or missing.
6. After striking an obstacle, disengage the PTO, shut the tractor down and thoroughly inspect for damage before restarting.
7. Never engage the PTO until the mower is in the down position and resting on the ground. Never raise the mower until all blades have come to a complete stop.
8. To park the vehicle safely, stop vehicle on a level surface (not on a slope), disengage PTO, engage the parking brake, stop the engine, remove the key, and wait for engine and all moving parts to stop before leaving the operator's seat.
9. Stay clear of rotating drivelines. Entanglement in rotating driveline can cause serious injury or death. Wear close fitting clothing. Stop the engine and be sure PTO driveline is stopped before getting near it.


2.03 - Messages and Signs



1. Read and adhere to all safety and operating decals on this machine (**see fig. 2**).
2. Before dismounting tractor: Allow moving parts to stop, stop engine, set brake and remove the key of unattended equipment.
3. Keep away from rotating blades and driveline.
4. Keep guards and shields in place and in good condition.
5. Do not mow with bystanders in area.
6. Allow no riders on tractor or mower.
7. Allow moving parts to stop before repair.
8. Securely support mower before working underneath.
9. Lock up raised wings before transport (**see fig. 14**).

Additional warning and operating decals are available at no extra charge. Please specify model and serial number when ordering.

Fig. 2 - Safety decals, main frame; replace immediately if damaged.

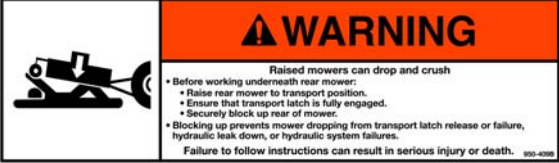


WARNING

High-pressure hydraulic oil leaks can penetrate skin resulting in serious injury, gangrene or death.

- Check for leaks with cardboard; never use hand.
- Before loosening fittings: lower load, release pressure, and be sure oil is cool.
- Consult physician immediately if skin penetration occurs.

900-4098




WARNING

Raised mowers can drop and crush

- Before working underneath rear mower:
 - Raise rear mower to transport position.
 - Ensure that transport latch is fully engaged.
 - Securely block up rear of mower.
- Blocking up prevents mower dropping from transport latch release or failure, hydraulic leak down, or hydraulic system failures.

Failure to follow instructions can result in serious injury or death. 900-4098

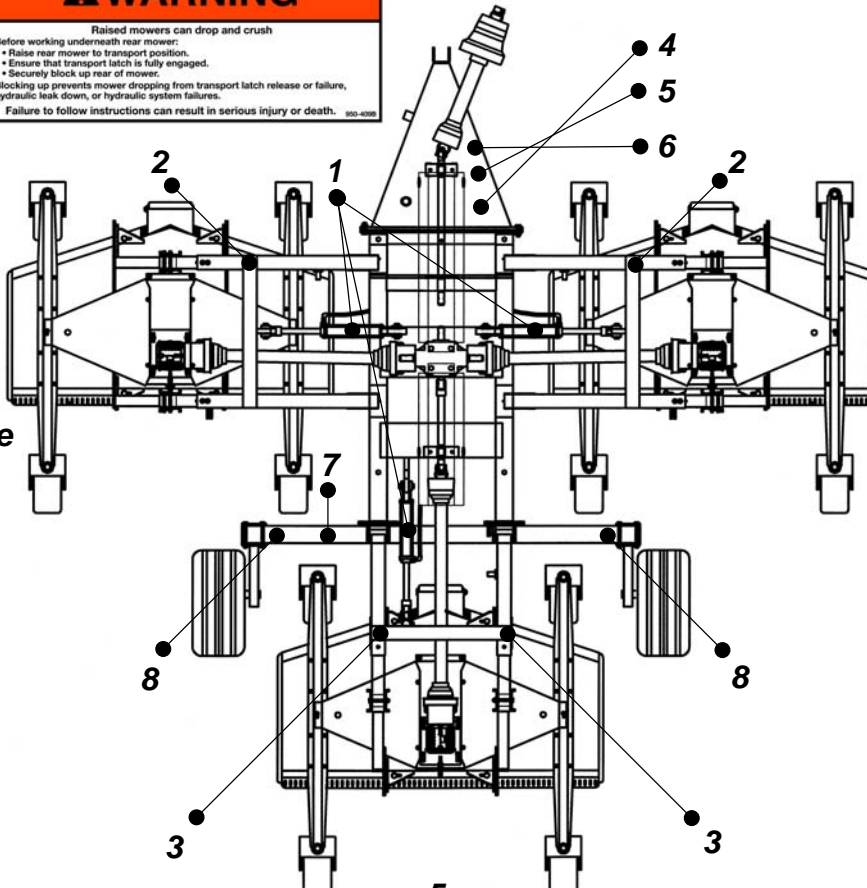


WARNING

Raised mowers can drop and crush

- Keep away. Do not go underneath.
- When raised, ensure that transport latch is fully engaged.
- Lower after transport.

Failure to follow instructions can result in serious injury or death. 900-4103



left side right side

CAUTION

To avoid serious injury:


- Read Operator's Manual before operating, servicing or repairing equipment. Follow all safety rules and instructions. (Manuals are available from your selling dealer).
- Know location and function of controls.
- Keep all shields in place and in good condition.
- Stay clear of power driven parts.
- Never allow riders.
- Never allow children or untrained persons to operate equipment.
- Keep bystanders at a safe distance away from mower during operation.
- Before mowing, clear area of objects that may be thrown by blades.
- Use extra caution on uneven terrain. Decrease speed when turning.
- Tractor must be equipped with a Roll-Over-Protection-System (ROPS) and seatbelt.
- Keep foldable ROPS systems in the "locked up" position at all times.
- Keep seatbelt securely fastened.

Before dismantling or servicing

- Shut off engine and remove key.
- Lock parking brake.
- Wait for all movement to stop
- Lower or block up mower.

900-1118

WARNING



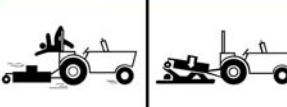
Crushing and Pinching Hazard

- Be extremely careful handling various parts of the hitching mechanism. They are heavy and hands, fingers, feet, and other body parts could be crushed or pinched between tractor and implement.
- Operate tractor controls from tractor seat only.
- Do not stand between tractor and implement when tractor is in gear.
- Make sure parking brake is engaged before going between tractor and implement.
- Stand clear of machine while in operation or when it is being raised or lowered.

Failure to follow these instructions could result in serious injury or death.

900-4078

WARNING



Falling off can result in being run over.

- Tractor must be equipped with ROPS (or ROPS CAB) and seat belt. Keep foldable ROPS system in "locked up" position at all times.
- Buckle up! Keep seat belt securely fastened.
- Allow no riders.

Raised equipment can drop and crush.

- Before working underneath, follow all instructions and safety rules in operator's manual and securely block all corners of equipment with jack stands.
- Securely blocking prevents equipment dropping from hydraulic leakdown, hydraulic system failures or mechanical component failures.

Falling off or failing to block securely can result in serious injury or death.

900-4098

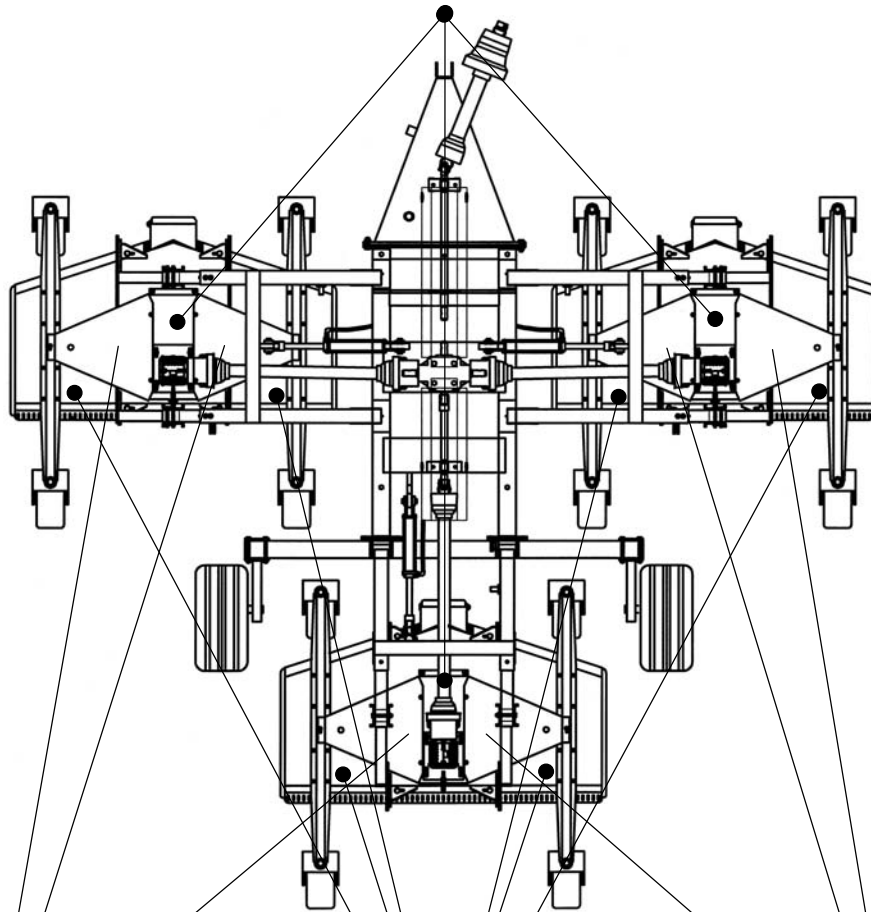
Yellow reflective decal

7

Red reflective decal

8

Safety decals, decks; replace immediately if damaged.

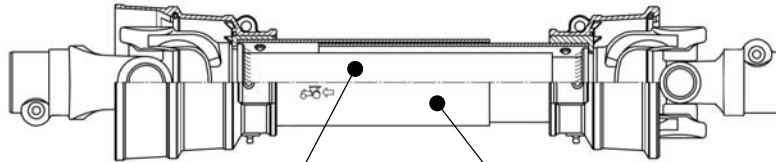


placed under belt shields



placed under belt shields

Safety decals, drivelines; replace immediately if damaged.



placed on outer tube



placed on outer shield

3 - OPERATION

The Cyclone Super-Flex represents the most advanced proposal for reducing labor cost without sacrificing quality of cut. The high cutting speed of 8-10 mph along with the wide working widths of up to 20', allows for a reduction in man-hours and lower fuel cost for the maintenance of large grass areas such as sport fields, parks, golf courses and sod farms.

The Cyclone Super-Flex consists of a frame-carrier, mechanically connecting a trio of C50 rear discharge grooming mowers. The Cyclone Super-Flex can be used on tractors with horsepower ranging from 35 to 80. The tractor PTO is connected, through a wide angle driveline, to a 4 way splitter gearbox. The side and rear output shafts transfer power to the individual speed multiplier gearboxes on each mower.

The 12' model consists of two 4' wing units and one 5' rear unit, the 15' model consists of two 5' wing units and one 6' rear unit, the 17' model consists of three 6' decks and the 20' model consists of three 7' decks.

Each individual mower works completely independent from the others. They are connected to the frame by floating arms. All mowers have four wheels allowing free floating over uneven terrain. Even over rolling ground, the cut is accurate and uniform.

After mowing, during transport and for storage or maintenance, all three mowers can be raised up hydraulically to a vertical position. During transport or maintenance operations, it is imperative to be sure the wing mowers are locked in place with the automatic locking system. To transport over extended distances, the wings should be locked in their 90 degree vertical position with the transport locks (**see #11, fig. 14**) and with the metal transport brace assembly (**see #13-15 fig. 14**) added to the two wing units for added safety. The two transport wheels allow the Cyclone Flex mower, in its closed and locked position, to be transported safely on lawns or private roads. The tires are not suitable for extended road travel.

The decks can be raised for easy cleaning and quick blade changes. Top grease fittings make the greasing of hubs and spindles simple and quick.

3.01 - Operational Safety



CAUTION: Our mowers are designed considering safety as the most important aspect and are the safest available in today's market. Unfortunately, human carelessness can override the safety features built into our machines. Injury prevention and work safety, aside from the features on our mowers, are very much due to the responsible use of the equipment. It must always be operated prudently following with great care, the safety instructions laid out in this manual.



1. The use of this equipment is subject to certain hazards which cannot be prevented by mechanical means or product design. All operators of this equipment must read and understand this entire manual, paying particular attention to safety and operating instructions, prior to using.
2. Do not operate the tractor and mower when you are tired, sick or when using medication.
3. Keep all helpers and bystanders at least 300 feet from a rotary mower. Only properly trained people should operate this machine.
4. When this machine is operated in populated areas where thrown objects could injure persons or property, standard equipment safety chain shielding (which is designed to reduce the possibility of thrown objects) must be installed.
5. The majority of accidents involve entanglements on the driveline, injury of bystanders by objects thrown by the rotating blades, and operators being knocked off the tractor by low hanging limbs and then being run over by the mower. Accidents are most likely to occur with machines that are loaned or rented to someone who has not read the operator's manual and is not familiar with a rotary mower.
6. Always stop the tractor, set brake, shut off the tractor engine, remove the ignition key, lower implement to the ground and allow mower blades to come to a complete stop before dismounting tractor. Never leave equipment unattended with the tractor running.
7. Never place hands or feet under mower with tractor engine running or before you are sure all motion has stopped. Stay clear of all moving parts.
8. Do not allow riders on the mower or tractor at any time. There is no safe place for riders.
9. Do not operate unless all personnel, livestock and pets are at least 300 feet away to prevent injury by thrown objects.
10. Before backing up, disengage the mower and look behind carefully.
11. Install and secure all guards and shields before starting or operating.
12. Keep hands, feet, hair and clothing away from moving parts.
13. This rotary mower is designed for use only on tractors with 540 rpm power take off.
14. Never operate tractor and mower under trees with low hanging limbs. Operators can be knocked off the tractor and then run over by the rotating blades.
15. The rotating parts of this machine have been designed and tested for rugged use. However, they could fail upon impact with heavy, solid objects such as steel guard rails and concrete abutments. Such impact could cause the broken objects to be thrown outward at very high velocities. To reduce the possibility of property damage, serious injury, or even death, never allow the cutting blades to contact such obstacles.
16. Frequently check mower blades. They should be sharp, free of nicks and cracks and securely fastened.
17. Stop mower immediately upon striking an obstruction. Turn engine off, remove key, inspect and repair any damage before resuming operation.
18. Stay alert for holes, rocks and roots in the terrain and other hidden hazards. Keep away from drop-offs.

19. Use extreme care and maintain minimum ground speed when transporting on hillside, over rough ground and when operating close to ditches or fences. Be careful when turning sharp corners.
20. Reduce speed on slopes and sharp turns to minimize tipping or loss of control. Be careful when changing directions on slopes. Do not start or stop suddenly on slopes. Avoid operation on steep slopes.
21. When using a unit, a minimum 20% of tractor and equipment weight must be on tractor front wheels. Without this weight, tractor could tip over, causing personal injury or death. The weight may be attained with a front end loader, front wheel weights, ballast in tires or front tractor weights. When attaining a minimum 20% of tractor and equipment weight on the front wheels, you must not exceed the ROPS weight certification. Weigh the tractor and equipment. Do not guess or estimate!
22. Inspect the entire machine periodically². Look for loose fasteners, worn or broken parts, and leaky or loose fittings.
23. Use only the driveline supplied with the mower. Do not use it if it is missing any shield or safety protection.
24. Pass diagonally through sharp dips and avoid sharp drops to prevent "hanging up" tractor and mower.
25. Avoid sudden starts and stops while traveling up or downhill.
26. Always cut down slopes; never across the face. Avoid operation on steep slopes. Slow down on sharp turns and slopes to prevent tipping and/or loss of control.

3.02 - Setup and Assembly Instructions

Notice to dealer: Pre-delivery setup and service including lubrication is the responsibility of the authorized dealer. It is up to him to assure that the machine is in perfect condition and ready to be used. It is his responsibility to ensure that the customer is aware of all safety aspects and operational procedures for the mower. He must also fill out the Pre-Delivery Checklist³ prior to delivering the mower.



CAUTION: Stand clear of bands when cutting as they could be under sufficient tension to cause them to fly loose. Take care in removing bands and wire, they often have extremely sharp edges and cut very easily.

At times, due to loading restraints the mower is shipped either with (a) the three decks separate from the frame or (b) fully assembled but with the transport tires and the telescoping lift arms retracted.

It is the dealer's responsibility to extend transport tires and telescoping lift arms to proper operating width and to ensure final assembly of the mower.

² See Chapter 4 - Maintenance.

³ See Chapter 7 - Pre-Delivery Checklist.

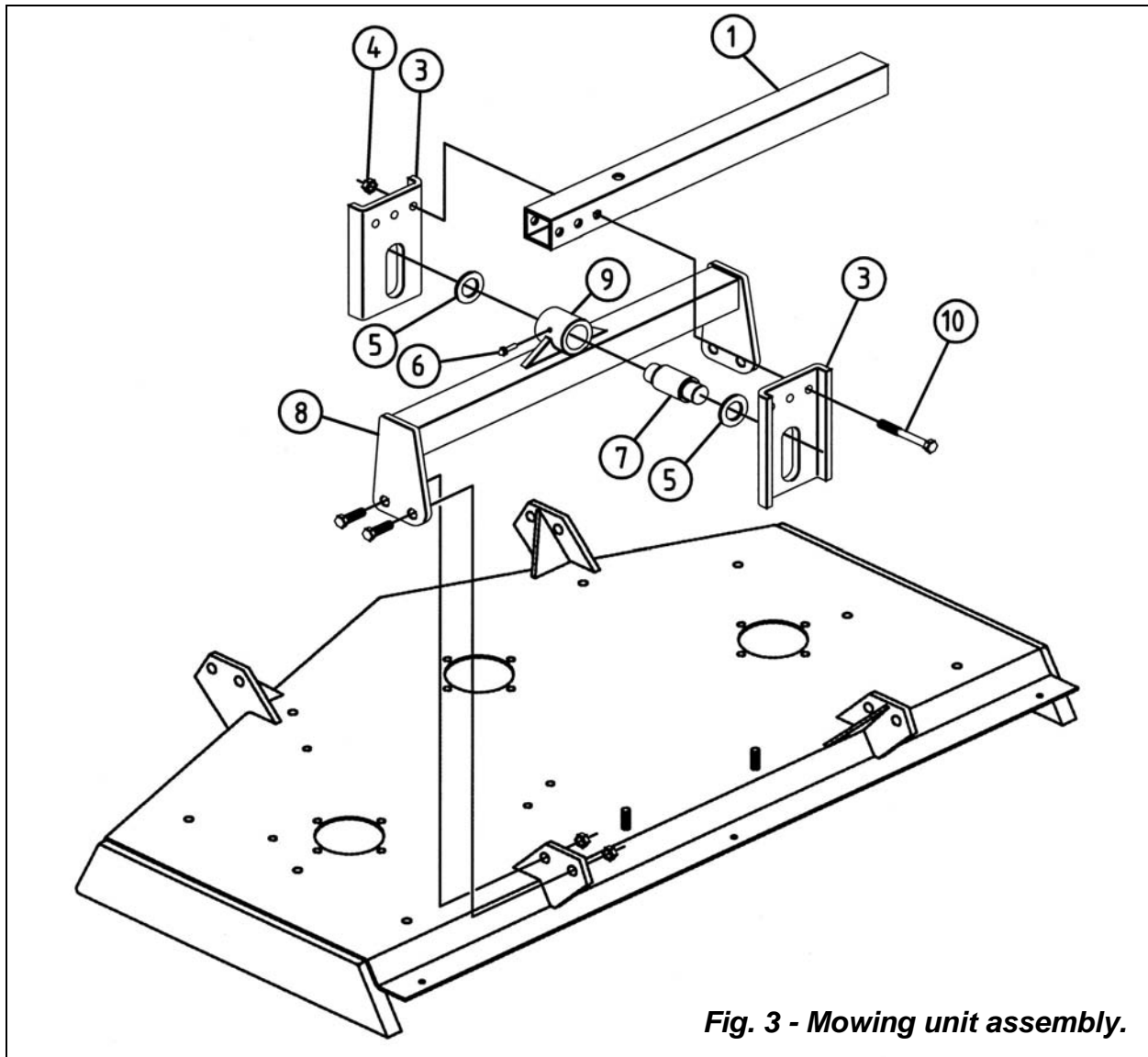


Fig. 3 - Mowing unit assembly.

(a) When the mower is shipped with the decks separate from the central transport frame proceed as follows to hook them to the frame (see fig. 3):

1. Position the mower decks complete with hitches (#8) near the telescoping lift arms (#1) which are bolted into the lift arms.
2. Insert the hitch pin (#7) into the tube welded to the hitch (#9). Place the washers (#5) on either end of the attaching pin.
3. Place the two formed hitch plates (#3) on both ends of the hitch pin (#7) with the bend facing outward.
4. With the lift arms down level with the mower decks, position the telescoping lift arms (#1) between the two formed hitch plates (#3). Assemble them together using the bolts provided (#10).
5. Tighten the nuts (#4) and bolts (#10). Make sure that the formed hitch plates (#3) move up and down freely over the hitch pin (#7).

6. Using the grease fitting (#6) on the tube welded to the hitch (#9), grease the hitch pin and formed hitch plates.
7. See additional instructions below to set telescoping lift arms to proper operating width.

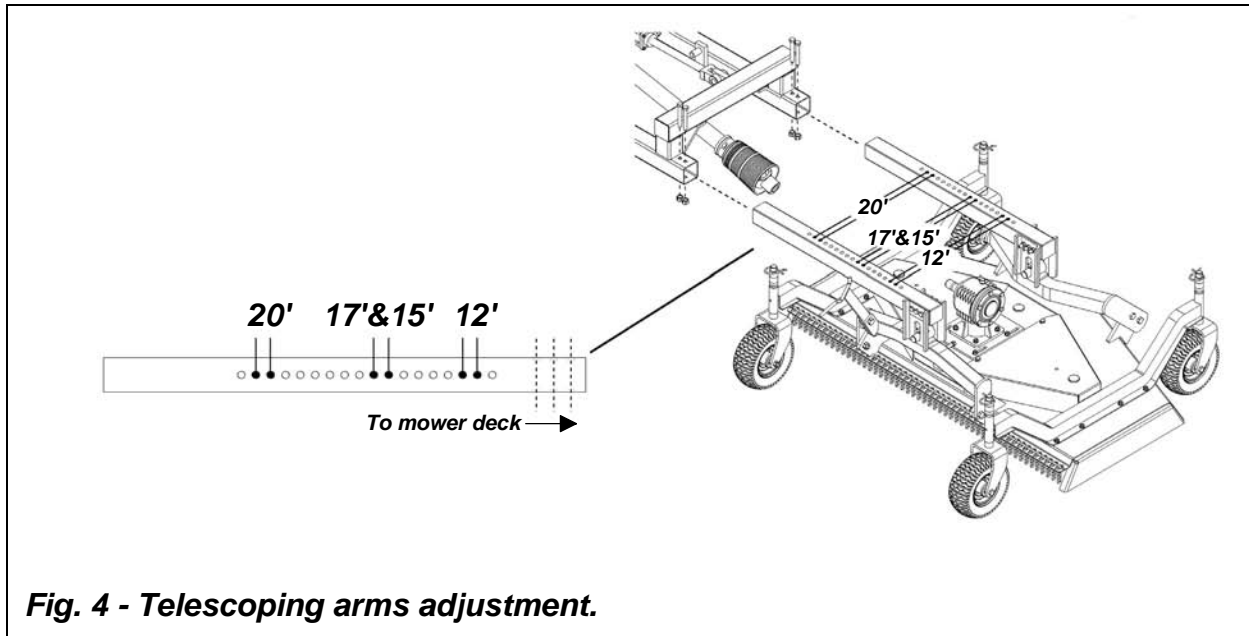


Fig. 4 - Telescoping arms adjustment.

(b) When the mower is shipped assembled but has the transport tires and the telescoping lift arms retracted, or to set the proper position of the telescoping arms, proceed as follows:

1. Use the turnbuckle on the transport brace assembly (see fig. 14) to allow the side mowers to rest on the transport hooks.
2. Extend transport tires on central transport frame to operating position before lowering the wing decks to the ground to make sure that the rear deck clears the tires. To do this, lift one transport tire at a time slightly off the ground using a jack and loosen the wheel arm bolts to slide the transport tire assembly outwards. Repeat the operation on the other transport tire assembly.
3. Remove the transport brace assembly and place it in the work position (see fig. 14).
4. Make sure side and rear drivelines are disconnected from the wing deck gearboxes before lowering decks to the ground. Since the decks are retracted for shipping purposes the drivelines will bind if they are connected causing possible failures to the central plates and gearboxes of the wing units.
5. Disengage the side transport locks by tilting the wing mower and rotating the locks out of the way.
6. Use tractor's hydraulic system to relieve pressure on the transport hooks.
7. Pull the rope to keep the transport hooks raised.
8. Use the tractor's hydraulic system to lower the decks to the ground.
9. Release the rope.
10. Extend telescoping arms out to proper operating width. The proper operating width depends on the overall size of the mower (see fig. 4).

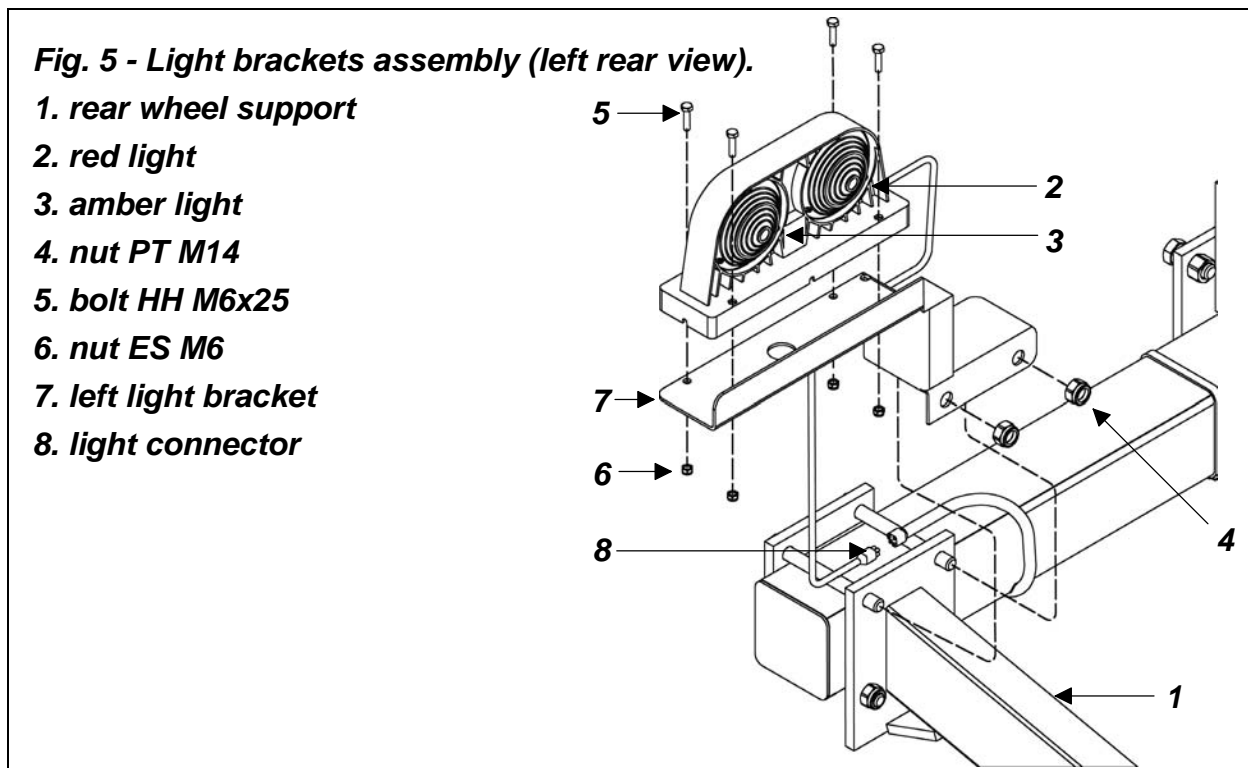
11. Be sure to follow proper "timing" procedures before connecting wing deck drivelines⁴. Improper timing of the U-joints will cause serious damage to the mower when lifting or lowering the wing decks.



CAUTION: It is important to make sure all drivelines are disconnected from the mower deck gearboxes before attempting to lower them to the ground. Since the mower decks are retracted for shipping purposes the drivelines will bind if they are connected causing possible failures to the central plates and gearboxes of the wing units.

3.03 - Light Kit Installation

The light kit is an optional kit that can be purchased that contains two light assemblies, two mounting brackets and wiring harness.

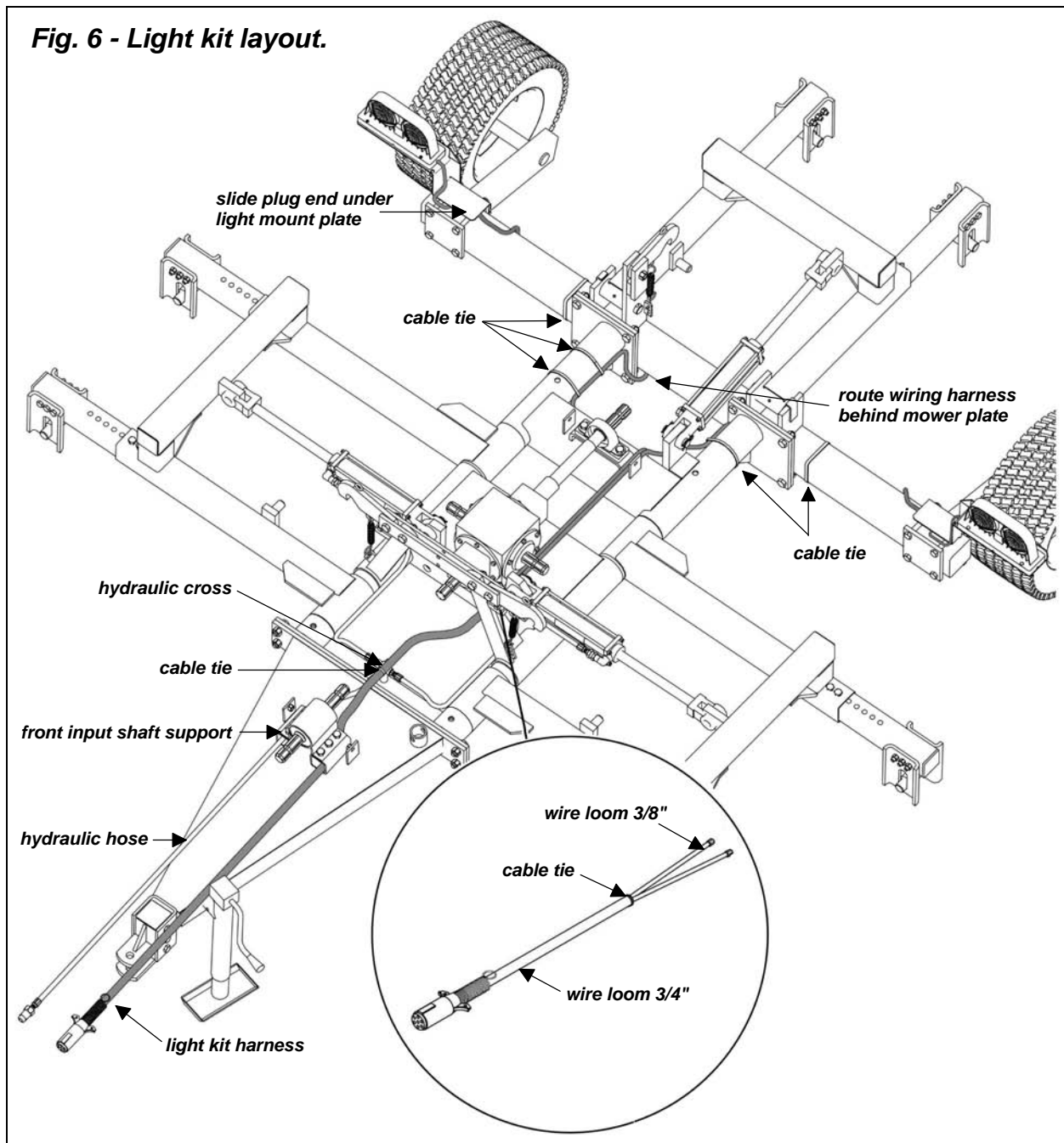


To install the light kit do the following (see fig. 5):

1. Remove light assemblies, light mounting brackets, wiring and cable loom from packaging.
2. Support the rear frame on the side that you are working on. Loosen but do not remove the bottom set of nuts on rear wheel support. Remove the top nuts leaving bolts in place (#4). Slide rear wheel support into operating position. Slide the light

⁴ See Section 4.06 - Drivelines and Center Gearbox Timing, prior to attaching wing deck drivelines.

- bracket (#7) over the top rear wheel bolts, replace nuts and tighten. Note that there is a right and a left bracket.
3. Attach the light assembly to the light bracket using M6x25 hex head bolts and M6 elastic stop nuts supplied in the kit (#5 & 6). The light wiring harness is routed through the slot at the end of the light assembly. Repeat steps 2 and 3 for the opposite side of the mower. Note: The amber lens (#3) are always to the outside of the mower frame and the red lens (#2) to the inside (facing the rear of the mower frame).



4. Remove from the mower frame the front input shaft protection, the center shaft protection and the rear shaft protection. Lay wiring harness on a flat surface. Notice that the wiring harness splits off into a right and a left section. These wires are labeled respectively "R" and "L". Cut the smaller 3/8" wire loom in half. Working from the light connector, insert the left wiring into one piece of wire loom and the right wiring into the other (**see fig. 6**).
5. Starting at the tractor connector, insert the wiring harness into the large 3/4" wire loom. Slide the large 3/4" wire loom over the two smaller 3/8" pieces of wire loom approximately 1"-2". Secure with a cable tie (**see fig. 6**). Note: The wiring harness to the tractor may be longer than necessary and can be shortened and rewired to the tractor connector if needed.
6. The hydraulic supply line to the rear cylinder is routed through the right square tube located underneath the front input shaft support. The light kit wiring is routed through the left square tube of the input shaft support. Place a cable tie around the hydraulic cross and light wiring harness but do not tighten at this time (**see fig. 6**).
7. Route the right and left light wiring harness alongside the hydraulic hose that attaches to the rear cylinder (this hose is normally routed under the shaft protection shields and located on the left side of the mower frame). At the rear of the mower frame split off the right and left wiring. Route wiring along frame and plug wiring harness into light plugs (**see #8, fig. 5**). Place cable ties as shown in the illustration (**see fig. 6**) but do not tighten. Note: Because the rear wheel supports can be adjusted in and out, be sure to leave extra wire to the light assemblies.
8. Wiring harness and hydraulic hoses should be clear of any moving parts. Once wiring harness is in place, tighten cable ties and cut off excess. Plug in light connector to the tractor to check light operation.
9. Replace all shields before operating the mower.

3.04 - Cutting Height Adjustment



WARNING: Keep hands and feet away from moving blades.

Be sure the tractor engine is off, parking brake is locked, and key is removed before making any adjustments.

Never rely on the hydraulic system to hold the weight of the raised mowers.

Never walk or work under the raised mowers without first making sure the automatic locking system is securely holding the wing units with the hydraulic cylinders closed, and the hook is engaged to support the rear deck.

The cutting height is the distance from the blades to the ground. The cutting height is adjusted by **moving the height adjustment spacers on the wheel yokes above or below the wheel arm**. Placing spacers between the wheel arm and the wheel yoke raises the cutting height by the size of the spacer. Removing the spacers lowers it by the same height (**see fig. 7**). All the wheel yokes are supplied with three different size height adjustment spacers, 1/4", 1/2" and 1".

Be sure all 12 wheels of the mowers are adjusted equally. This is the only way to ensure a completely uniform cut. Cutting lower than 2" under most circumstances should be avoided. The cutting height is adjustable from 1" to 5".

IMPORTANT: Very low cutting heights should be avoided. Damaging shock loads occur when the blades strike the ground repeatedly. This can cause damage to the mower.

Anti-scalping rollers come standard on each deck for uneven ground contours. The roller rides the nose of the mower deck over a mound to help keep the nose from bulldozing or the blade from scalping the ground. The roller is extremely helpful when mowing particularly low.

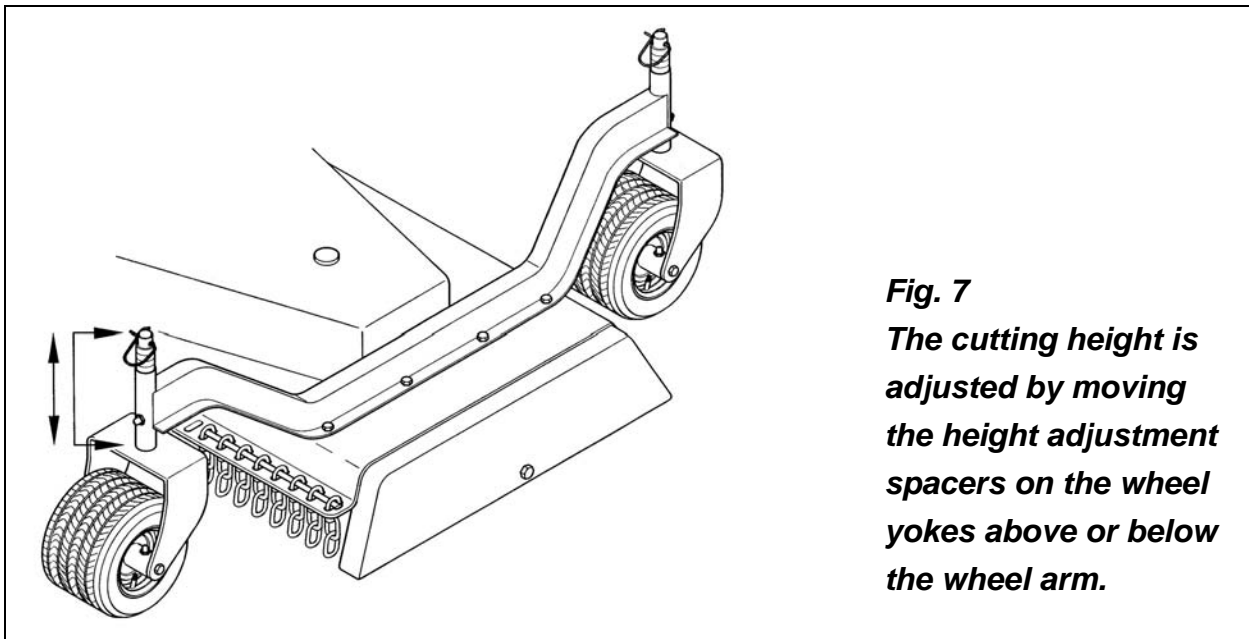


Fig. 7
The cutting height is adjusted by moving the height adjustment spacers on the wheel yokes above or below the wheel arm.

3.05 - Pre-Operational Check

IMPORTANT: Check each of the following, carefully, prior to engaging the equipment:

1. The spindle bearings have been greased.
2. The belts for proper tension.
3. The oil level in all gearboxes. Using a flashlight, check inside each one of the gearboxes to verify that they are approximately half full.
4. The drivelines cross and bearings have been greased.
5. All wheels are fully greased.
6. All grease points on Flex frame have been greased⁵.
7. No wrappings or foreign objects are around the blades, belts or drivelines.
8. The blades are properly installed and the blade bolts properly torqued⁶.
9. All hardware is tight.

⁵ See Section 4.02 - Service.

⁶ See Table 1, page 43.

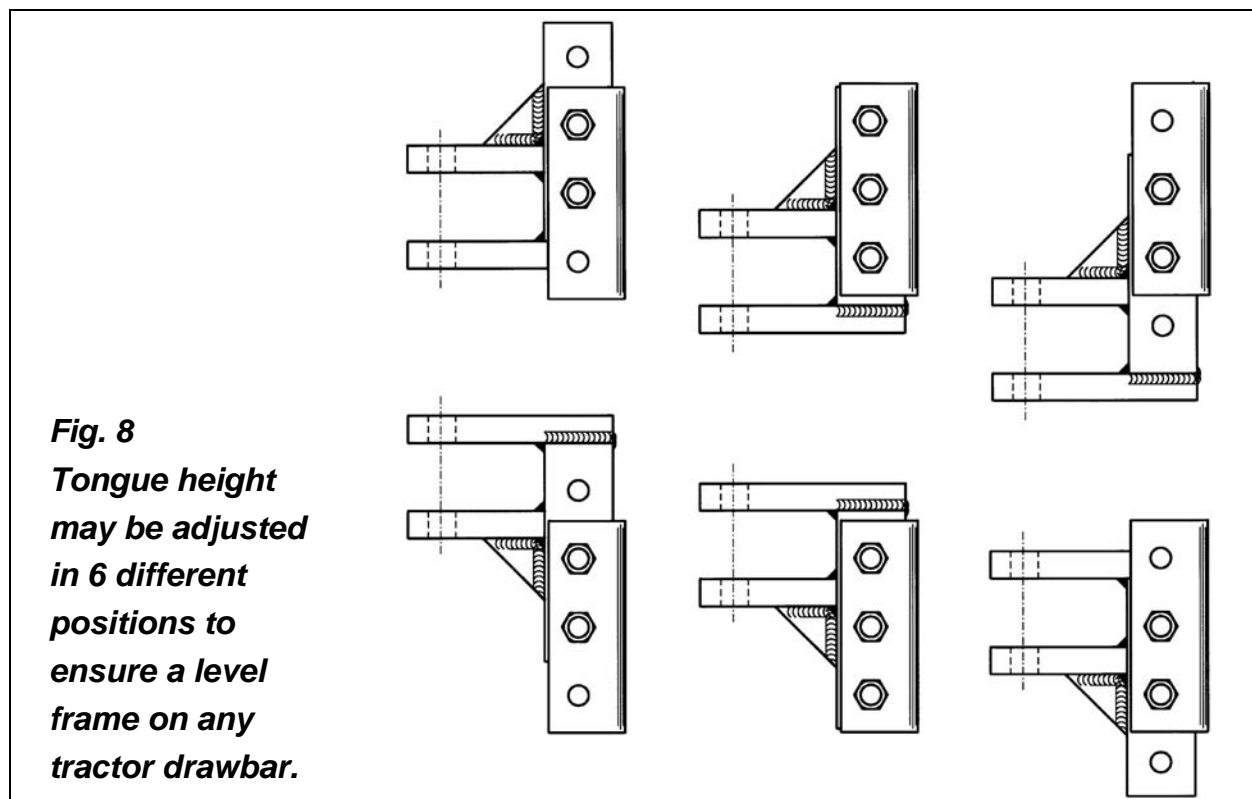
10. The tractor, to ensure correct direction of PTO and rpm speed.
11. All safety shields and guards are in place and tightly attached.
12. No people or animals are in the work area.
13. The Flex frame is level to ensure its full floating capability.



DANGER: Stay clear of rotating driveline. Entanglement in rotating driveline can cause serious injury. Disengage PTO, engage parking brake or place transmission in "Park", shut off the tractor and remove the key before working around hitch, attaching or detaching driveline, making adjustments, servicing or cleaning the machine.

3.06 - Attaching to the Tractor

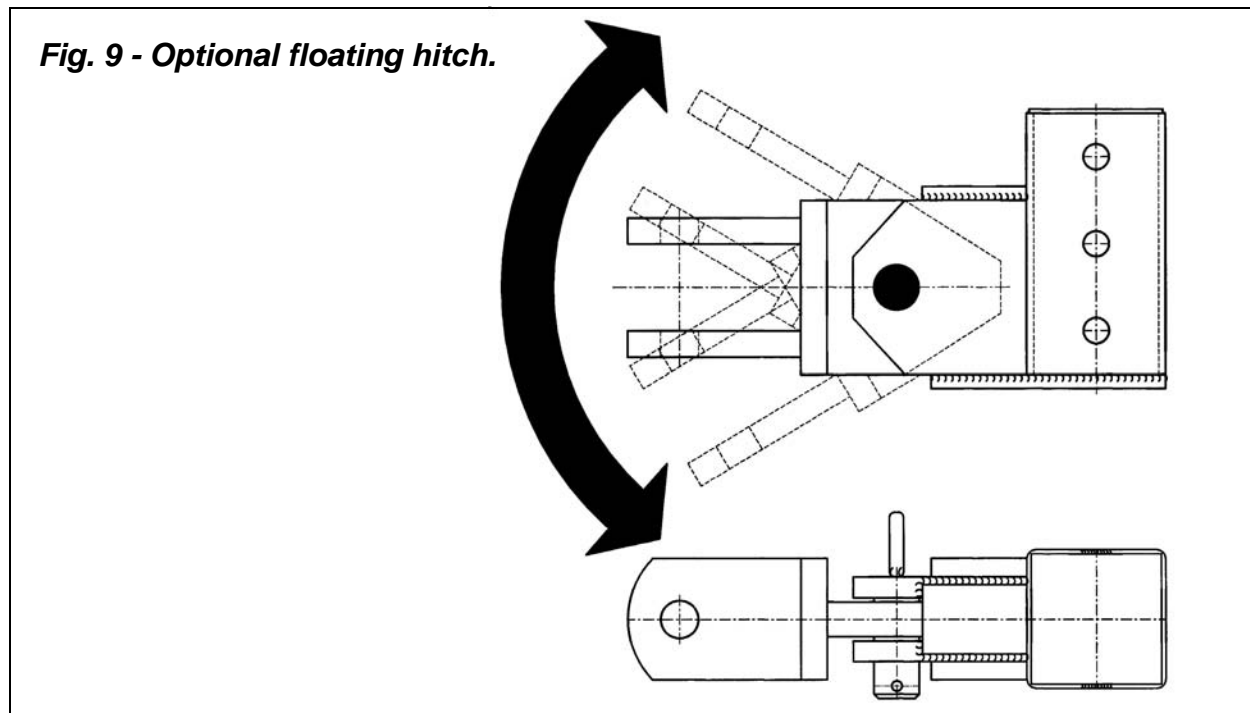
The Cyclone Super-Flex may be used on any 540 rpm tractor with a drawbar hitch and horsepower ranging from 35 to 80⁷.



CAUTION: Check the tractor PTO rpm to ensure it is set at 540 rpm and turns clockwise.

⁷ See Table 2, page 43.

Always ensure that the tractor tire pressure is correct according to the tractor operator's manual.



To attach the mower to the tractor do the following:

1. Remove transport brace if it is installed.
2. Back the tractor up to the mower in order to slip the tractor drawbar hitch into the adjustable hitch bracket. The hitch bracket is adjustable in 3 different positions to conform to the tractor drawbar height. It may also be turned over for an additional 3 positions (**see fig. 8**). This is an important feature that permits the leveling of the Flex frame. Be sure the pin you use can securely attach the mower to the tractor drawbar⁸. **Turn off the tractor engine.** Secure the frame hitch to the tractor drawbar with the pin. **Failure to ensure a secure coupling of the implement to the tractor can cause injury and damage to the implement or tractor.**
3. Lower jack stand until the weight of the mower is on the tractor drawbar. Turn the jack stand 90 degrees and pin into a horizontal position. For further safety, the jack stand may also be removed and mounted on the storage area on the tongue.
4. Hook the hydraulic hose to the tractor remote port. Engage the tractor hydraulics to raise all three mowers. **Never use hydraulics without the restrictors installed. Do not stand or allow anyone to stand under any of the three mowers while continuing the following instructions.**
5. Lower the three mowers⁹.
6. Install the Constant Velocity driveline, only after ensuring it is the proper length¹⁰. The CV end of the driveline is mounted on the tractor PTO.

⁸ Optional equipment includes a floating hitch for undulating terrain (**see fig. 9**).

⁹ See Raising the Mower Decks and the Automatic Lock Up System in Section 3.09.

¹⁰ See Section 3.07 - Constant Velocity Driveline.

7. Check the frame to ensure it is level¹¹.
8. Engage the tractor PTO. It is very important to feather in the PTO.



DANGER: Never engage the PTO until all three mowers are in the down position and resting on the ground. Never raise the mowers until all three deck blades have come to a complete stop. Doing so will cause damage to the driveline yokes and/or cross and bearings and can create a situation which endangers the operator or bystanders.

3.07 - Constant Velocity Driveline

It is extremely important that the Constant Velocity Driveline be at the correct length in relation to the tractor on which it is to be used. The driveline length might be too long for certain tractors whose tires allow for a very sharp turning radius. The proper length is one which allows for a maximum of overlap without the possibility of bottoming out on tight turns. **The bottoming out of the driveline can seriously damage the tractor PTO and/or the mower drive transmission.** We recommend the following method for determining the proper length. On the tightest turn possible (the tractor tires rubbing the frame tongue) the driveline should be at least ½"-1" from bottoming out. Keep in mind that the Constant Velocity Driveline is rated at a maximum of 80 degrees turning radius. Towing a mower this size, most tractors cannot turn this sharply.

The following are instructions to prevent the possibility of bottoming out the driveline and causing damage to the tractor or the mower:

1. Separate the two driveline halves. Connect the half with the CV joint to the tractor PTO and the other half to the mower input shaft.
2. Hook the tractor to the mower and turn the tractor in the tightest possible turn. Hold the half shafts side by side and mark the desired length on the outer female guard tube leaving a ½"-1" gap between the end of the guard tube and bell guard.
3. Cut off both guard tubes the same amount as marked. Shorten both drive tubes the same amount as guard tubes.
4. De-burr and clean filings from the drive tubes and apply grease to the inside of the outer telescoping tube.
5. Re-measure as described in step 2. Straighten out the tractor and measure the two driveline halves to be sure that there is a minimum of 4"-6" shaft overlap to prevent the driveline from separating during normal operation.

3.08 - Hydraulic Lift System

Standard single action lift cylinders are used on the Flex frame. They come with in-line restrictors to prevent a sudden drop if the hydraulics fail.

¹¹ See Section 3.09 - Frame Adjustments.



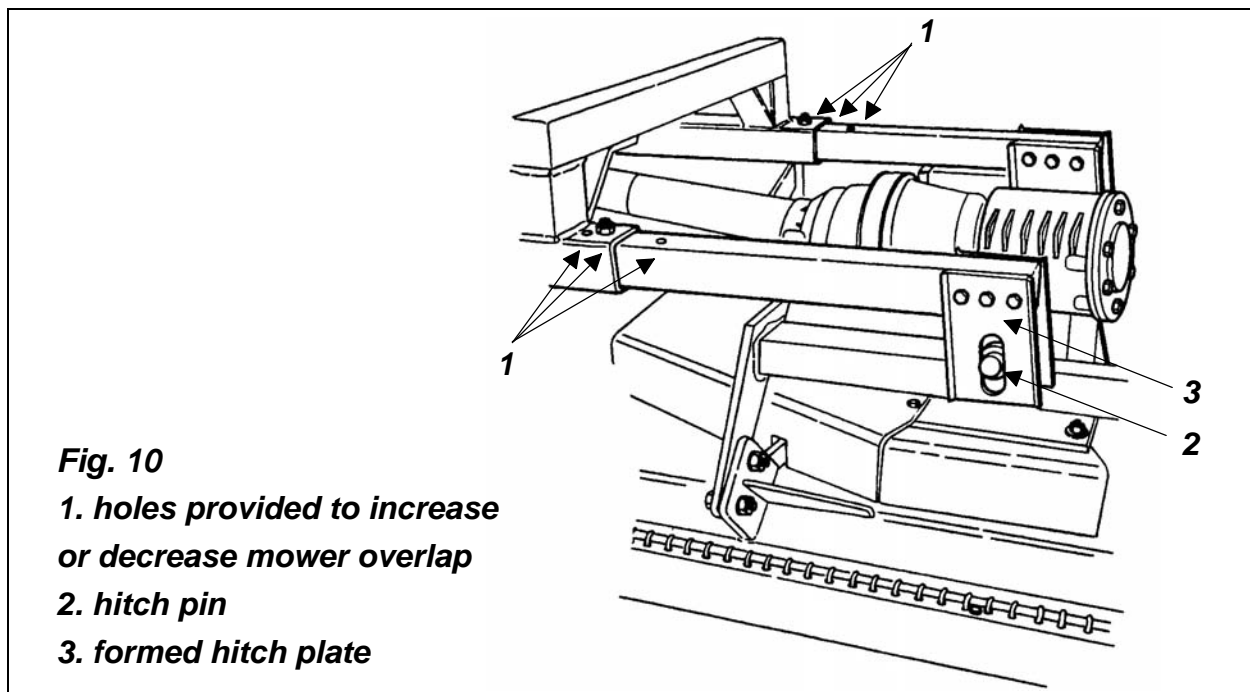
DANGER: Never use hydraulics without the restrictors installed.

For correct operation, the lift cylinders for all three mowers must be completely extended and relieved of pressure. This is done by assuring the tractor hydraulic remote system is in the float position. See your tractor operator's manual for correct procedure on how to operate single action hydraulic cylinders and most importantly on how to hold the tractor remote supply in "Float". **The "Float" setting is critical for the proper function of the Flex mower.** Both wing mowers and rear mower must have free up and down movement for correct operation on uneven terrain.

3.09 - Frame Adjustments

The complex frame carrier consists of three main parts: the drawbar, the center frame which supports the two side wing mowers and the rear axle where the rear mower is attached and is carried by the transport tires. These three components are held together by numerous large bolts M18x45. The main objective of the frame carrier of the Flex mower is to allow the three mowing units to follow the ground contour and float freely and independently from each other.

In order to achieve a perfectly uniform cut, it is important that all three mowers rest completely on the ground at all times with all of their four wheels touching. This ensures that each individual mower cuts level and maintains a uniform cut along the entire cutting width of the machine. The free floating concept is indispensable when cutting with gang mowers.



The three units are connected to the frame by a double pivot setup. The first pivot point is at the overlapping pipes of the frame itself and the second in the telescoping arm attaching the mowers to the frame. This articulating free floating system would not be possible without the complete release of all hydraulic pressure as you will see with the other important frame adjustments.

Telescoping Lift Arms

The two wing mowers are connected to the frame with two adjustable telescoping lift arms each. This unique feature, available only on our mower, allows the wing decks to telescope in and out for additional overlap¹². Holes are provided for this purpose (**see #1, fig. 10**). With the holes provided, you are able to adjust the cut overlap by up to 6" per side. This is done by removing the retaining bolt and sliding the wing frame in or out to the desired position (**see fig. 10**). You may choose to drill holes for additional adjustment positions.

As the wing units, the central rear unit is also assembled to the frame with telescoping lift arms that are adjustable in several positions (**see fig. 12 & 13**).

Important: Always check PTO length when adjusting the deck overlap¹³.

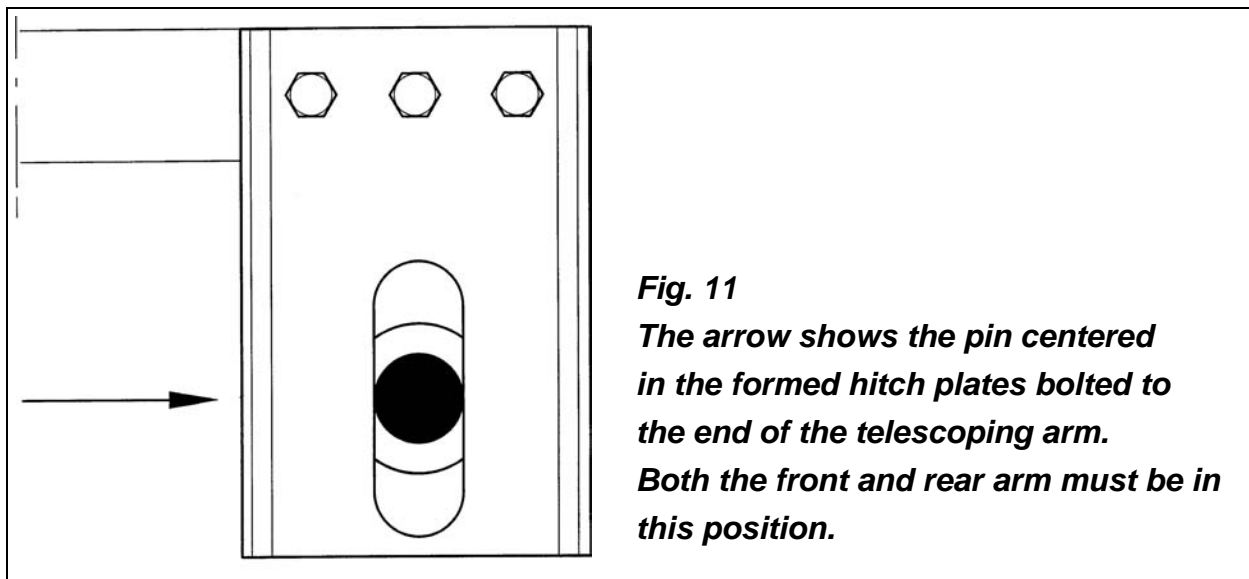


Fig. 11
The arrow shows the pin centered in the formed hitch plates bolted to the end of the telescoping arm. Both the front and rear arm must be in this position.

Leveling Flex Frame

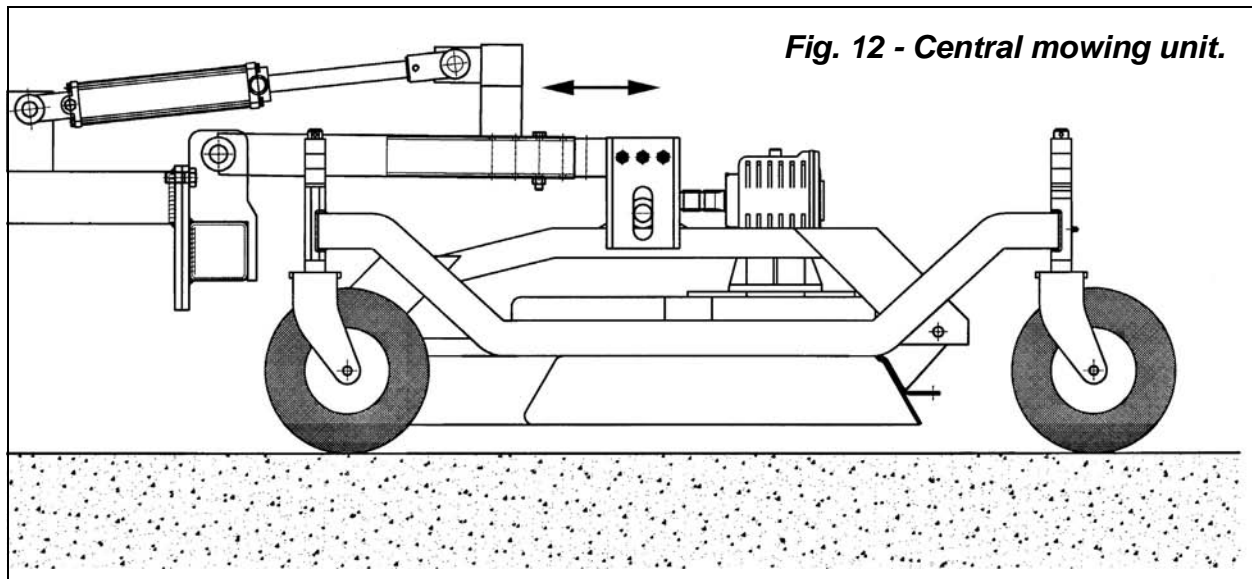
The second pivot point is where the telescoping lift arms connect to the mowers. Each deck has two hitch pins, one in the front and one in the rear, nested between two formed hitch plates with large slots. The plates are attached to each of the frame arms with three bolts. As the mower floats over the ground, the slots allow it to follow the ground contour without interference (**see fig. 11**).

It is best to make leveling adjustments with the tractor and mower on flat ground. Lower all three mowing decks ensuring the hydraulic pressure from the tractor is completely

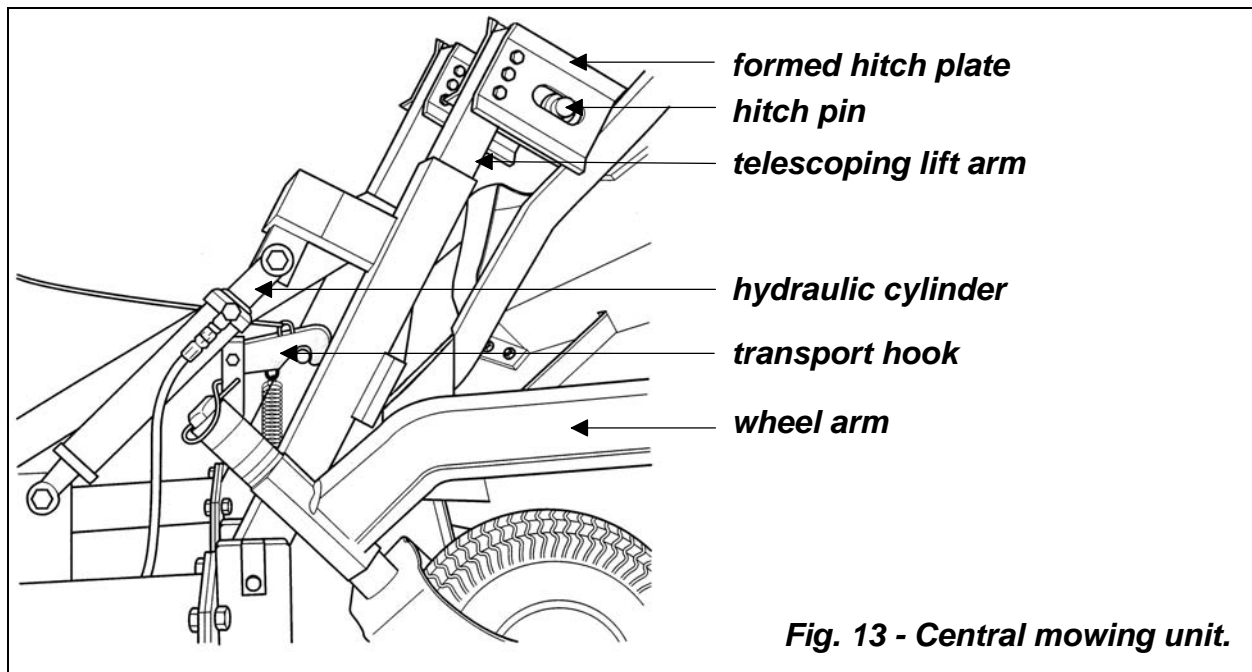
¹² Upon delivery, the telescoping lift arms are set at the standard 6" overlap per side (**see fig. 4**).

¹³ See Section 4.06 - Drivelines and Center Gearbox Timing, prior to adjusting overlap width.

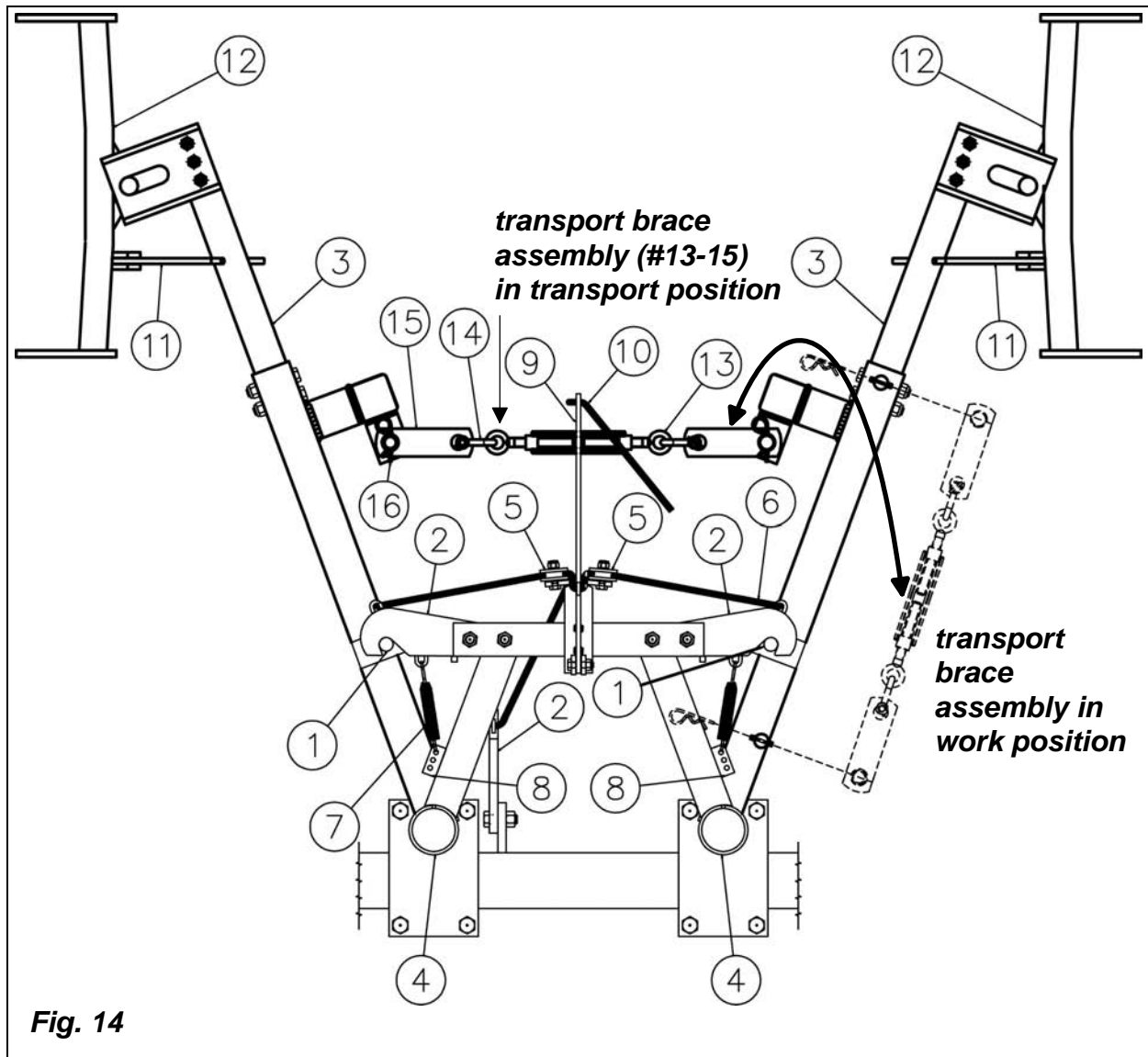
released. The frame is level when all three decks have each of their two hitch pins in approximately the same position in relation to the slots in the stamped plates which are attached to the telescoping arms (see fig. 10 & 11).



Operating the machine with the hitch set too high or too low will reduce float capability of the decks and could result in scalping or an uneven cut. If the front position is down and the rear position is up then the tractor hitch point is too low. If the front position is up and the rear position is down then the tractor hitch point is too high.



Before beginning work, ensure that all decks are level. Ensure the mower is adjusted by using one of the six positions available (see fig. 8) on the front hitch of the Flex tongue so that it will operate level on the ground surface¹⁴.



Raising the Mower Decks and the Automatic Lock Up System

To lock the mower decks into a secure position, do the following (see fig. 14):

Raise the three decks by means of the tractor hydraulics until the three transport hooks (#2) ride up over the locking pins (#1). Allow the mowers to float back down so the crook of the transport hooks sit securely over the pins and bracket.

Once the mower decks are raised, it is possible to lock the wings in a 90 degree vertical position for transport safety. Manually rotate the wing decks, they will pivot on the front and rear hitches (#12) up enough for the transport lock (#11) to be positioned under the telescoping lift arm (#3).

¹⁴ See Section 3.06 - Attaching to the Tractor, for further details.

Place the metal transport brace assembly (#13-15) into the pins holding the hydraulic cylinders (#16) for added safety when the wing units are in the 90 degree vertical position.

To lower the mowers, proceed as follows (see fig. 14):

Remove the transport brace assembly (#13-15) and place it in the work position. Release the transport locks (#11) by tilting the wing mower and rotating the lock out of the way. Using the tractor hydraulic remote, raise the three decks until the transport hooks (#2) disengage from the pins. Pull the cord (#10) tied to the unlocking lever (#9) (this will pull the hooks away from the pins and mounting bracket), and lower the decks with the tractor hydraulics. Release the cord once the pins and mounting bracket are past the hooks¹⁵.

Note: Additional lower holes (#8) can be used as the three springs (#7) stretch before they reach the point they need to be replaced as they are unable to maintain good downward pressure and keep the transport hooks (#2) in place.

Also, over time the cords (#10) may have stretched and should be tightened by loosening the nuts on the rope clips and pulling the cords to increase the tension.

3.10 - Start Up



WARNING: Never engage the PTO until all three mowers are in the down position and resting on the ground. Never raise the mowers until all three deck blades have come to a complete stop. Doing so will cause damage to the driveline yokes and/or cross and bearings and can create a situation which endangers the operator or bystanders.

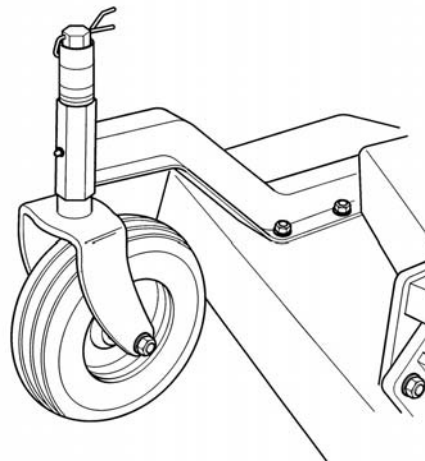
Before engaging the Flex mower, ensure that all twelve mower tires are firmly on the ground. The two front wheels of the rear mower are locked into a non-swiveling position to prevent sliding of the mower while operating over a steep lateral hillside (see fig. 15). With the engine idling, slowly engage the PTO drive. Move the throttle lever until the PTO speed indicated on the mower is obtained.

The mower is set for a PTO speed of 540 rpm. Shift the transmission to a slow speed gear and start forward, increase the ground speed by shifting upward until the desired speed is obtained. Do not mow in reverse unless absolutely necessary and only after careful observation of the area behind the mower.

¹⁵ In the place of the pull rope (see #10, fig. 14), a hydraulic cylinder is available for automatically unhooking the three mowing decks. If your unit has this option proceed as follows: Using the first hydraulic remote, raise the three decks until the transport hooks disengage from the pins. Use the second remote attached to the optional unlocking kit to raise the hooks and keep them raised. Now use the first remote to lower the decks. When the mower decks have been lowered to the ground, use the second remote to release the hooks.

Fig. 15

The two front wheels of the rear mower are locked into a non-swiveling position to prevent sliding of the mower while operating over a steep lateral hillside.



CAUTION: Do not operate this mower at a PTO speed or direction of rotation other than that shown on the mower. Serious damage can occur to the machine and/or the operator.



CAUTION: Before mowing check area for stones, branches and other debris that might be thrown.

Before starting to mow, never forget that the **operator is responsible** for the following:

1. Safe and correct driving of the tractor and mower.
2. To learn precise, safe operating procedures for both the tractor and the mower.
3. To ensure all maintenance and lubrication has been performed on the mower.
4. To have read and understood all safety aspects for the mower in the operator's manual.
5. To have read and understood all safety decals on the mower.
6. Checking the condition of the blades. Worn or damaged blades should be changed before starting¹⁶.
7. Checking to ensure that the cutting edge is the leading edge of the blade.
8. Checking that there is no wire, weed, grass or other material wrapped around blades.
9. Checking to see if front weights to be added to the tractor in order to maintain balance.
10. Checking the tractor tires for the proper pressure in accordance with the tractor operator's manual.
11. **Checking that the PTO shield, belt shields and all other shielding are on the machine and securely in place.**
12. Making sure the proper attire is worn. Avoiding loose fitting clothing which can become entangled. Wearing sturdy, tough-soled work shoes and protective

¹⁶ See Section 4.03 - Blade Maintenance, for details.

equipment for eyes, hands, ears and head. Never operate tractor or implements in bare feet, sandals or sneakers.

13. Checking area for stones, branches and other debris that might be thrown.
14. Ensuring proper lighting is available, sunlight or good artificial lighting.
15. Checking to ensure the safety chain is properly installed.
16. Safety lighting is visible and is working properly.

3.11 - Working Speed

The mowing speed depends on ground conditions, tractor HP, mowing height and grass thickness. Only a test run will enable you to gauge the optimal working speed for your conditions.

Under most conditions a 4 to 7 mph ground speed is best. As a rule of thumb and if the conditions permit, grass dispersion is increased by higher ground speeds.

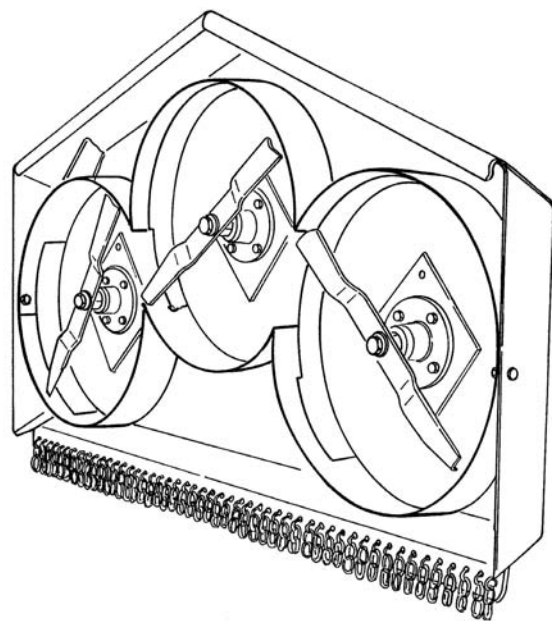
In order to obtain the best cut possible, always keep the tractor to 540 rpm. When increasing or decreasing mowing ground speed, always use gear selection, not engine speed. This will maintain the constant maximum blade speed necessary for a clean cut.

The mulching kit is an option available for our mowers. This kit, containing 3 multilevel cutting edge blades and add-on containment baffling which bolts to the underside of each mower deck, mulches and pulverizes grass and leaves.

Another benefit of the mulching kit is safety. In fact, the kit greatly reduces the possibility of thrown objects. This is particularly important when mowing around schools, public parks and golf courses. If you are using a **mulching kit**, you need to reduce your ground speed to under 2 mph (**see fig. 16**).

Fig. 16

The mulching kit is an available option, consisting in 3 multilevel cutting edge blades and add-on containment baffling which bolts to the underside of the mower deck, to mulch and pulverize grass and leaves.



3.12 - Operating Techniques

All of the following factors are important in selecting the proper forward speed:

1. Height of grass.
2. Type of grass.
3. Density of grass.
4. Type of terrain.
5. Grass condition, wet or dry.
6. Type of blades.

This mower has been designed to cut grass with heights from 4" to 8". It is recommended to avoid cutting grass taller than 10". For the best results, try cutting the grass at least once per week during growing season. Tall, dense grass should be cut at low speed, while thin medium grass can be cut at a faster ground speed. For cleaner cuts and efficient mowing, the blades must be kept sharp¹⁷.

Always operate PTO at 540 rpm. This is necessary to maintain proper blade speed and obtain a clean cut.

Under certain conditions, tractor tires may roll some grass down and prevent it from being cut at the same height as the surrounding area. If this occurs reduce the tractor ground speed but maintain a 540 rpm engine speed. The lower ground speed will permit the grass to at least partially rebound. Under some conditions grass will not rebound enough to be cut evenly, resulting in an uneven appearance. In general, lower cutting height gives a more even cut with less tendency to leave tire tracks. If cut is still not satisfactory, cut the area twice.

Mow extremely tall grass twice. On the first pass use a high cutting height. On the second pass position the mower at the desired height and, when practical, mow at a right angle in travel to the first pass.

Plan your pattern to travel straight forward whenever possible.

It is better to cut grass more often, than too short. Short grass deteriorates rapidly in hot weather and invites weed growth during growing season.

If at any time the mower should jam resulting in belt slippage of 2 or more seconds, raise the mower and continue for 2-3 minutes. This will allow the pulleys to cool and prolong belt life.

Because of the size and high cutting speed of the Flex mower, it is extremely important that the operator becomes familiar with its width while mowing around trees, buildings, etc. Since the Flex mower cuts better at higher speeds it is indispensable that the operator knows the mower before entering into areas where trees, fences, curbs and other obstacles can be hit.



DANGER: The mower blades can throw objects hundreds of feet which could result in personal or property damage.

¹⁷ See Sharpening Blades in Section 4.03 - Blade Maintenance.

**Pick up all rocks and other debris before mowing.
Enter new areas carefully. Cut grass higher at first, allowing mower to clear hidden objects.**



CAUTION: For emergency reasons learn how to stop the tractor and mower quickly. On the finishing mowers always disengage the PTO, lock parking brake, stop engine and allow the mower blades to come to a complete stop before dismounting the tractor.

3.13 - Uneven Terrain



DANGER: Be careful of rollover when operating tractor and mower over uneven ground.

The following precautions should always be observed when working on uneven terrain:

1. In extremely uneven terrain rear wheel weights, front tractor weights, and/or tire ballast should be used to improve stability.
2. Observe the type of terrain and develop a safe working pattern.
3. Whenever traction or stability is doubtful, first test drive over the terrain with the PTO disengaged.
4. Operate the implement up and down steep slopes, not across slopes, to prevent the tractor from tipping. Avoid sudden stops and starts, and slow down before changing directions on a slope.
5. Pass diagonally through sharp dips and avoid sharp drops to prevent hanging up the tractor and implement.
6. Slow down on sharp turns and slopes to prevent tipping or loss of control.
7. Avoid tipping the mower while cutting.
8. Watch for holes, roots or other hidden objects. Do not use near the edge of a gully, ditch or stream bank.

Anti-scalping rollers are mounted on each deck for uneven ground contours. The roller rides the nose of the mower over a mound to help keep the nose from bulldozing or the blades from scalping the ground.

4 - MAINTENANCE



DANGER: Raise the three mower decks with the tractor hydraulics. Be sure all three automatic locking hooks are securely in place. Place the wing units in their 90 degree vertical position with the transport locks (see #11, fig. 14).

Stop the engine, lock parking brake and remove key and place the transport brace assembly in the transport position (see #13-15, fig. 14). Never rely on the hydraulics alone to support the raised decks. Always use gloves and safety glasses when performing any maintenance. Keep fingers out of slots to prevent injury.

4.01 - Maintenance Safety



1. Good maintenance is your responsibility.
2. Keep service area clean and dry. Be sure electrical outlets and tools are properly grounded. Use adequate light for the job at hand.
3. Make sure there is plenty of ventilation. Never operate the engine of the towing vehicle in a closed building. The exhaust fumes may cause asphyxiation.
4. Make no repair or adjustments with the tractor engine running. Before working on the machine, disengage the PTO, shut off the engine, set the brakes, and remove the ignition key.
5. Be certain all moving parts on attachment have come to a complete stop before attempting to perform maintenance.
6. Never work under equipment unless it is blocked securely.
7. Never trust the hydraulic pressure alone to maintain the mowers in the raised position. When servicing the Flex with the mowers in the raised positions always lock the wings with the three automatic locking hooks and place the transport brace assembly in the transport position (**see fig. 14**).
8. Always use personal protection devices such as eye, hand and hearing protectors, when performing any service or maintenance.
9. Frequently check mower blades. They should be sharp, free of nicks and cracks and securely fastened.
10. Periodically tighten all bolts, nuts and screws and check that all cotter pins are properly installed to ensure unit is in a safe condition.
11. Remove hydraulic pressure prior to doing any maintenance.
12. Never use your hands to locate a hydraulic leak on attachments. Use a small piece of cardboard or wood. Hydraulic fluid escaping under pressure can penetrate the skin.

13. When disconnecting hydraulic lines, shut off hydraulic supply and relieve all hydraulic pressure.
14. Do not attempt to mount a tire unless you have the proper equipment and experience to do the job.
15. Inflating or servicing tires can be dangerous. Whenever possible, trained personnel should be called to service and/or mount tires.
16. When completing a maintenance or service function, make sure all safety shields and devices are installed before placing unit in service.
17. After servicing, be sure all tools, parts and service equipment are removed.
18. Be sure to lock the tractor brake and either lock the wings with the transport brace or lower the mowers to the ground when completing work.
19. Never replace hex bolts with less than grade five bolts unless otherwise specified, i.e., shear bolts¹⁸.
20. Where replacement parts are necessary for periodic maintenance and servicing, genuine replacement parts must be used to restore your equipment to original specifications. The company will not claim responsibility for use of unapproved parts and/or accessories and other damages as a result of their use.
21. Unauthorized modifications to the machine may impair the function and/or safety of the machine and reduce its life. If equipment has been altered in any way from original design, the manufacturer does not accept any liability for injury or warranty.

4.02 - Service

The accompanying illustrations show lubrication points. The chart gives the frequency of lubrication in hours, based on normal operating conditions. Severe or unusual conditions may require more frequent lubrication.

Use a good quality SAE multipurpose type grease for all locations shown. Be sure to clean fittings thoroughly before using grease gun.

Use 90 wt. or 140 wt. gear oil in gearboxes.

Hourly:

1. Check the condition of mower blades for nicks or dull edges. Sharpen if necessary.
2. Replace bent or damaged blades¹⁹.
3. Also check blades for damage after hitting an obstruction.
4. Clean foreign material from mower deck and belt area.

Every 8 hours:

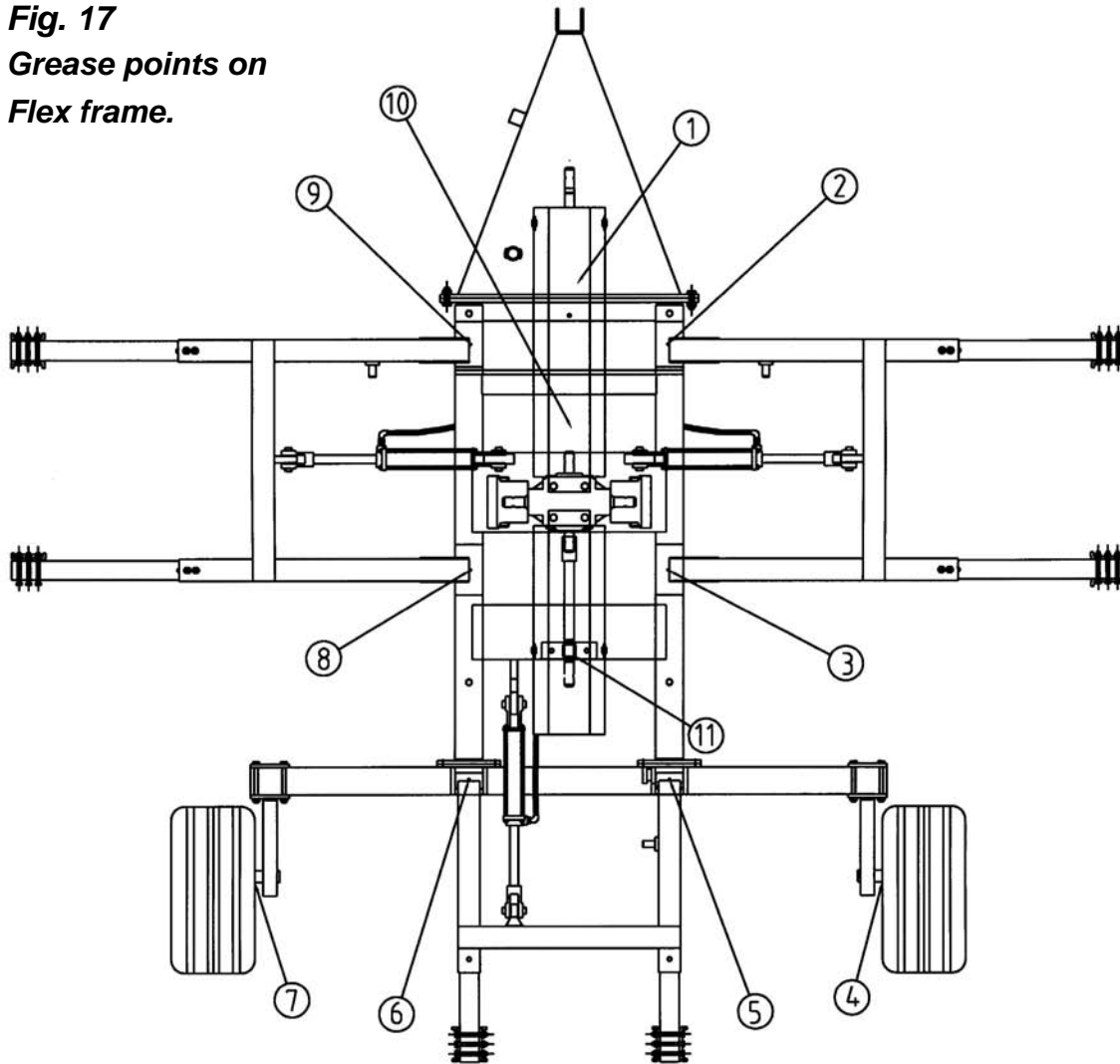
1. **Lubricate drivelines, wheel yokes and frame pivot points:** Apply two or three shots of grease to the driveline cross and bearings and the telescoping shafts; apply the same amount to the wheel arm grease fittings (**see fig. 18**) and the frame grease fittings (**see fig. 17, #1-11 for lubrication points**). See the driveline manufacturer operator's manual for further information on the drivelines. (Note: On older models you may need to lubricate the wheel bearings, check wheels to see if there is a grease fitting, if so apply two or three shots of grease every 8 hours).

¹⁸ Refer to Table 1 - Torque Specifications, for head identification marking, page 43.

¹⁹ See Removing Blades in Section 4.03 - Blade Maintenance, for details.

2. **Gearbox oil level;** check all gearboxes' oil level by removing the breather plug. Using a flashlight, check inside each of the gearboxes to verify that they are approximately $\frac{1}{2}$ full. When filled correctly the oil level should be approximately halfway on the input shaft. When fully drained the central gearbox requires approximately 78 fl. oz. (2.4 qt.) of oil while the deck gearboxes require approximately 44 fl. oz. (1.4 qt.) each of oil. If needed add SAE 90W gear oil.
Note: Never overfill gearboxes. Oil will expand when hot. Overfilling will likely cause excess oil to blow out of breather cap.

Fig. 17
Grease points on
Flex frame.



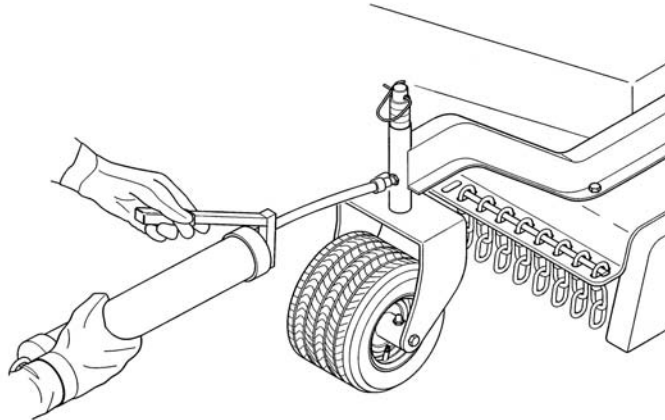
Every 25 hours:

Check hardware tightness; mower vibration can loosen bolts²⁰. Check tightness of the hardware periodically, using **Table 1** as a guide.

²⁰ Table 1 gives the correct torque values for various bolts and nuts, page 43.

Every 50 hours:

1. Lubricate the nine spindles with two or three shots of multipurpose grease (**see fig. 19**). The top grease fittings are easily accessible from the top of the deck by simply removing the plastic dust guards.
2. Check belt tension²¹.
3. Grease the main drive shaft carrier bearing (**see #1, fig. 17**).

Fig. 18 - Lubrication of wheel yokes.**Every 250 hours or at least once a year:**

Hand pack with fresh grease the main carrier wheel bearings on the Flex frame (**see #4 and #7, fig. 17**).

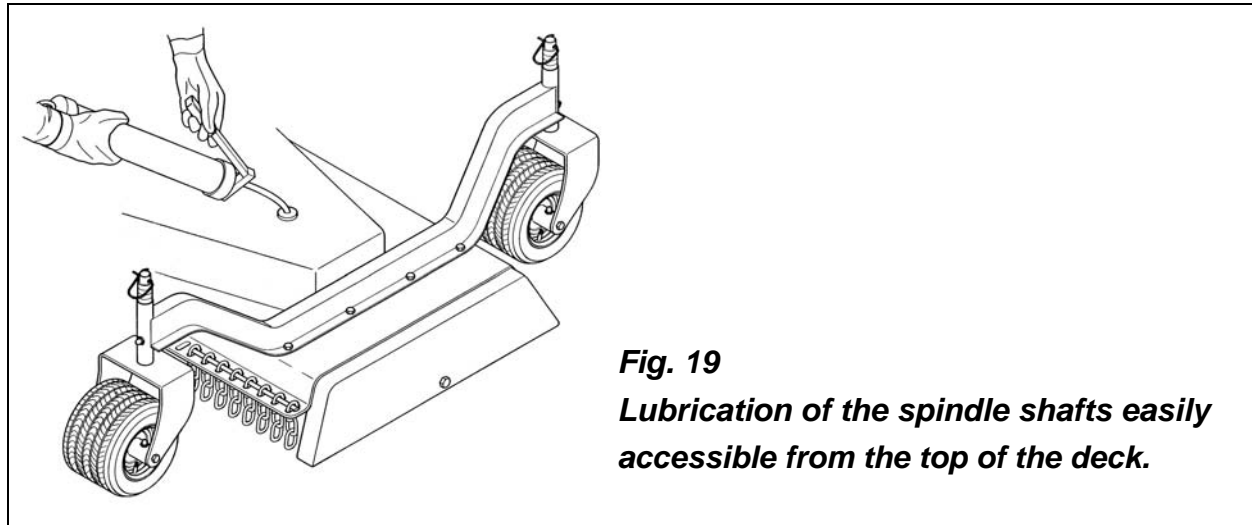


Fig. 19
Lubrication of the spindle shafts easily accessible from the top of the deck.

²¹ See Section 4.04 - Belt Tension, for details.

4.03 - Blade Maintenance



WARNING: To avoid possible injury always wear proper eye and hand protection when servicing mower blade.

In order for the mower to work properly, and to always obtain a precision cut with lower HP requirements thus keeping cost down, proper blade maintenance is important. Blades must be kept sharp, at their original length and corners maintained. A blade must be replaced if, due to wear or damage, its original shape has been distorted.

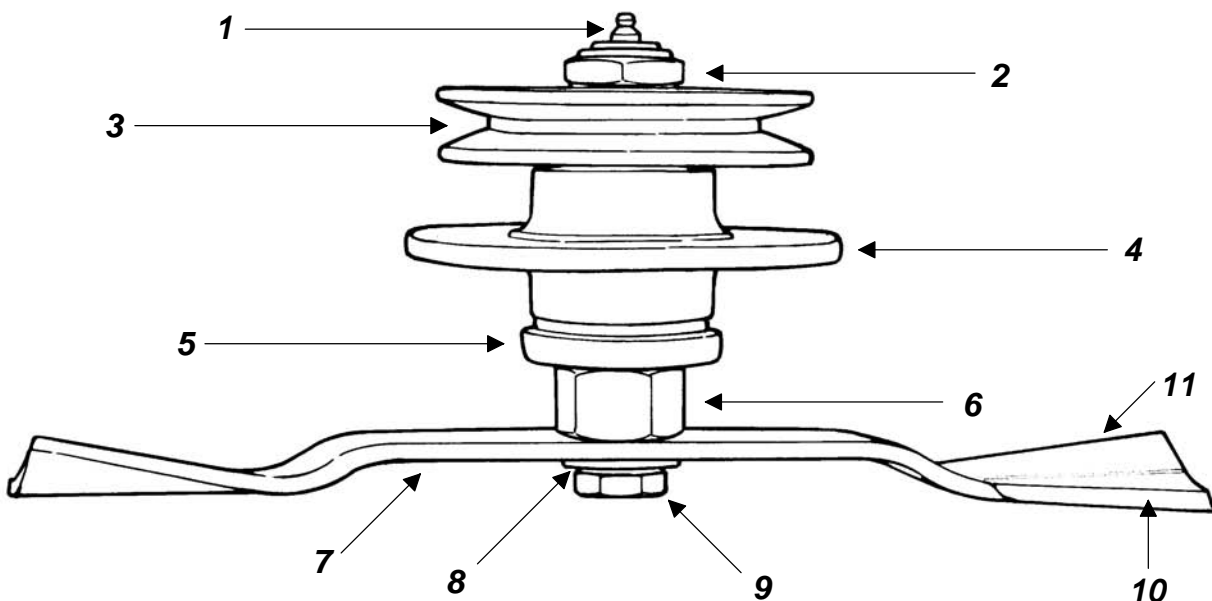


Fig. 20 - Spindle assembly.

- | | | |
|-------------------|----------------------------------|--------|
| 1. grease fitting | 7. blade | Ground |
| 2. hexagonal nut | 8. cup washer | |
| 3. pulley | 9. blade bolt | |
| 4. rotor support | 10. cutting edge close to ground | |
| 5. cover | 11. lift wing | |
| 6. shaft | | |

Installing or removing blades

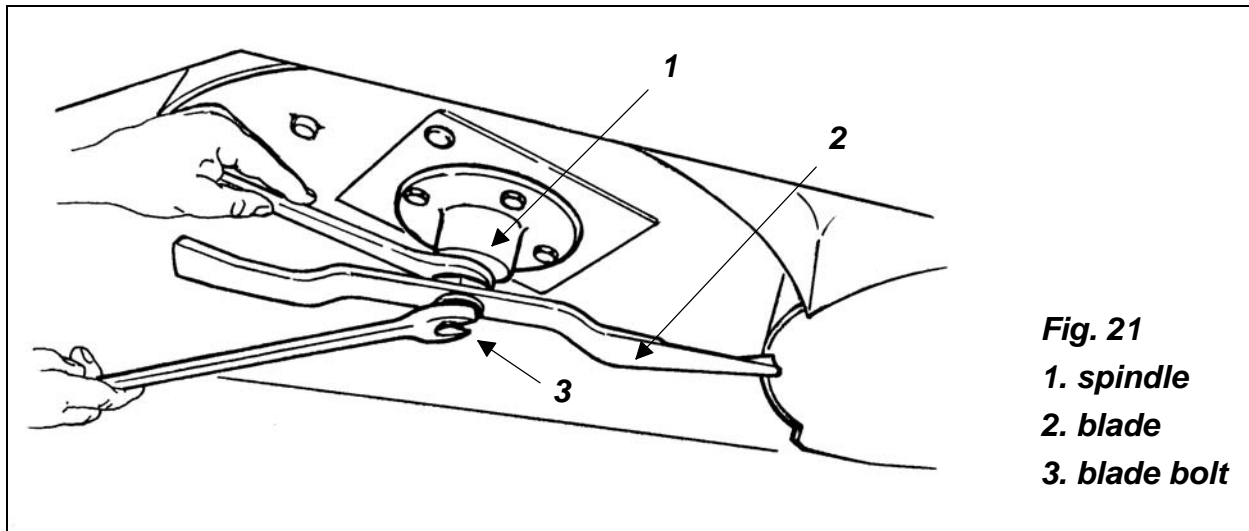
If the mower blades need to be installed, do the following:

1. The blade turns in a **counter clockwise** direction when viewed from the bottom of the deck. The cutting edge must be towards the direction of rotation. The lift wing of the blades is closest to the deck and the cutting edge away from it (**see fig. 20**).

2. Install the cup washer (see fig. 20) over the blade bolt and secure the blade in place as described above.
3. With a wrench, block the spindle and tighten the bolt to 103 lb. ft. (see fig. 21).
4. To remove the blades reverse the procedure.



WARNING: Do not substitute blades or any bolt for the blade retaining bolt. Company blades and blade retaining bolts are specially made for this application. Using non original parts can effect the quality of cut and may also cause damage to the mower.



DANGER: Proper torque must be used when tightening the blade retaining bolt. If these safety precautions are not followed, the blade could come off during operation and be thrown hundreds of feet from the mower.

Sharpening blades

Blade sharpening is extremely important in order to get the best cutting results. Sharp blades permit a high quality cut and also reduce HP thus lowering cost.

To sharpen blades, first remove them following the above instructions.

Place the blade in a vise and sharpen them by using a hand file or grinder. **Do not sharpen the blades to a sharp cutting edge.** The cutting edge should be between $\frac{1}{64}$ " to $\frac{1}{32}$ " to prevent excessive pitting and dulling of the blades. Sharpen both ends of the blade equally for balance and always maintain corners. Always keep all three blades sharpened equally in order to maintain balance.



CAUTION: Unbalanced or warped blades can cause damage to the mower and/or personal injury. Replace damaged blades before operating the mower. Sharpen both ends of the mower blades equally or until the blade is balanced.

4.04 - Belt Tension

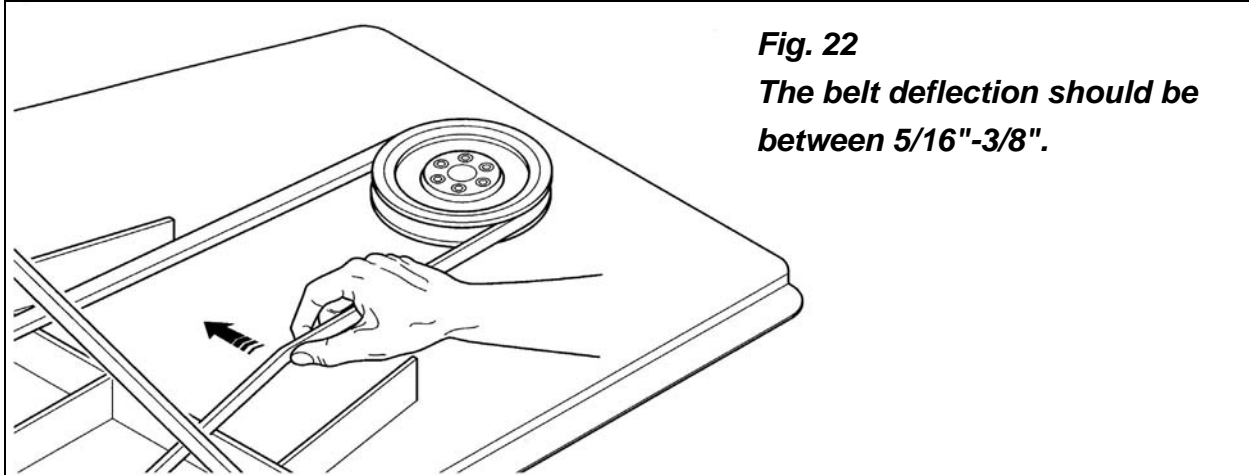


Fig. 22
The belt deflection should be between 5/16"-3/8".

Belt tension control

Check the belt tension (**see fig. 22**) by applying a force of 12-15 lb. pushing against the belt halfway between the pulleys. The belt deflection should be between $\frac{5}{16}$ "- $\frac{3}{8}$ ".

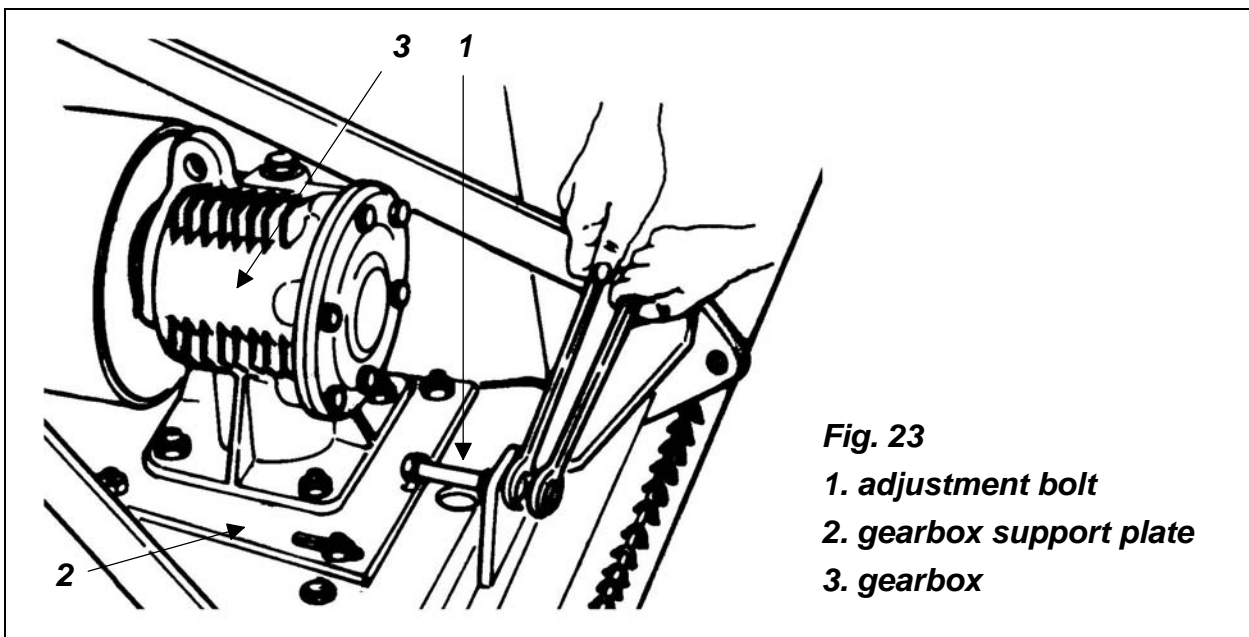


Fig. 23
1. adjustment bolt
2. gearbox support plate
3. gearbox

Belt tension adjustment

To adjust the tension do the following (**see fig. 23**):

1. Remove belt shields. Clean foreign material from the mower deck and belt area.
2. Loosen the four nuts holding the gearbox support plate to the central plate.
3. Loosen the two blocking nuts on the adjustment bolt.
4. Turn the adjustment bolt clockwise until the proper belt tension is reached. This will draw the gearbox support plate to the rear, thus tightening the belts.
5. Tighten the two blocking nuts on the adjustment bolt.
6. Retighten the four nuts holding the gearbox support to the central plate.
7. Reinstall the belt shields.

4.05 - Belt Replacement

If the belts have been stretched or damaged to the point where the proper tension cannot be obtained they must be changed.

IMPORTANT: When replacing belts always remember to replace both belts at the same time. Replacing belt on only one side of the mower deck will cause unnecessary belt slippage and premature belt failure.

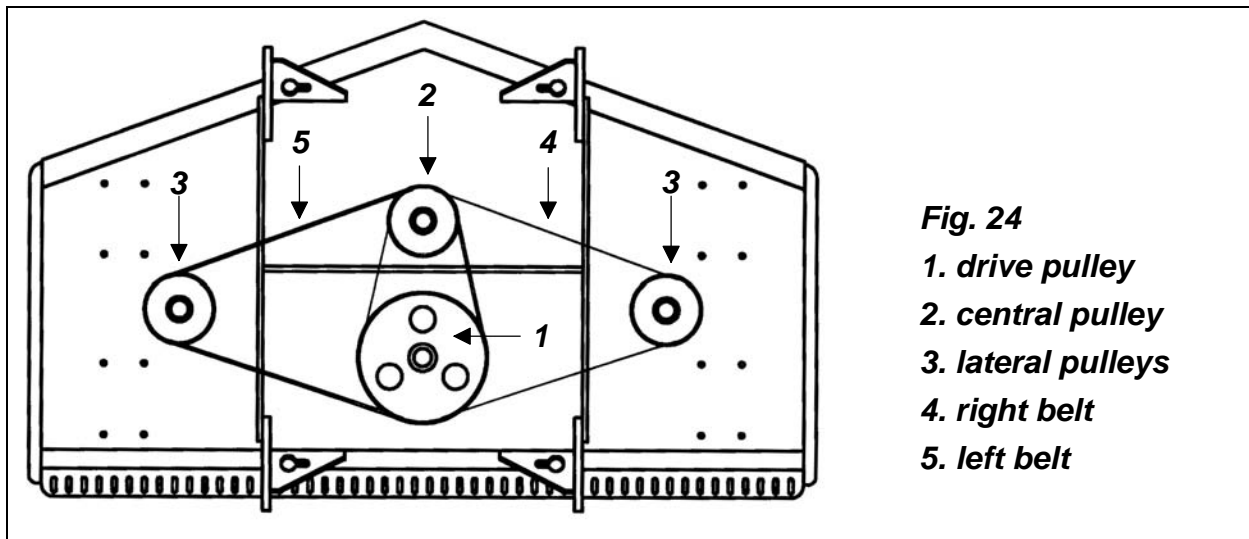


Fig. 24

1. drive pulley
2. central pulley
3. lateral pulleys
4. right belt
5. left belt

To replace belts do the following:

1. Remove belt shields. Clean foreign material from the mower deck and belt area.
2. Loosen the four nuts holding the gearbox support plate to the central plate.
3. Loosen the two blocking nuts on the adjustment bolt.
4. Turn the adjustment bolt counter clockwise, pushing the gearbox support plate forward until all tension is released (**see fig. 23**).
5. Loosen rear nuts holding central plate (do not remove them).
6. Remove front nuts holding central plate.
7. Lift the front of the central plate and remove old belts.
8. Replace new belts (**see fig. 24**). Loop the first belt over the left spindle and around the lower groove of the center spindle pulley and the lower groove of the gearbox

drive pulley. The second belt connects the upper grooves of the center spindle pulley and the gearbox drive pulley with the right spindle pulley.

9. Lower central plate.
10. Replace front nuts. Tighten front and rear nuts holding down central plate.
11. Turn the adjustment bolt clockwise until the proper belt tension is reached. This will draw the gearbox support plate to the rear, thus tightening the belts.
12. Tighten the two blocking nuts on the adjustment bolt.
13. Retighten the four nuts holding the gearbox support to the central plate and replace the belt shields.

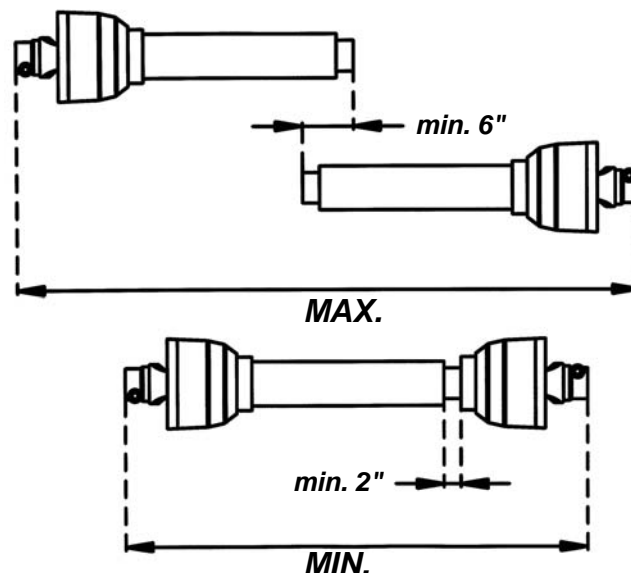
4.06 - Drivelines and Center Gearbox Timing



DANGER: Only use the original drivelines supplied with this mower and always with the safety shielding in place. Carefully read and file away the driveline operator's manual supplied by the manufacturer. The following does not substitute the information found in the driveline manual.

Your Flex mower drivelines for the decks are cut to fit in order to deliver a maximum overlap when extended and without them bottoming out and damaging the mowers when the Flex is folded into its transport position. It is important to try and maintain approximately 2" from the two halves from bottoming out and a minimum of 6" overlap in the working position (see fig. 25).

Fig. 25



IMPORTANT: If the wing mowers are moved in or out to change the overlap, or the drivelines are replaced with new ones, it is important to cut them to the proper length.

To determine the correct length do the following:

1. Separate the two driveline halves. Connect one half to the center splitter gearbox and the other half to the mower gearbox.
2. Raise the mowers **slowly** with the hydraulics to the transport position. Hold the half shafts side by side and mark the desired length on the outer female tube guard leaving a 2" gap between the end of the guard tube and bell guard.
3. Cut off both guard tubes the same amount as marked in step 2.
4. Shorten both drive tubes to the same amount as guard tubes.
5. De-burr and clean filings from drive tubes and apply grease to outside of inner telescoping tube.
6. Reassemble the driveline halves. Raise and lower mowers again **slowly** to be sure drivelines do not bottom out in the shortest position.
7. Install both driveline safety chains.

If for any reason, such as when lubricating driveline sections, the wing unit drivelines are detached from the main center gearbox, extreme care must be used when reattaching to maintain the two side gearbox output shafts in a "timed" position. A "timed" position is a position where both the left and right wing universals are almost in line and allows the wings to fold up together in unison. If they are aligned at 90 degrees from one another, only one can fold up and the other yoke will be damaged by the hydraulics.

Tip: To accomplish this, make a mark on the center gearbox and on the driveline yoke before removing the left and right drivelines. When reattaching the drivelines be sure that these marks line up.

4.07 - Transport



CAUTION: Comply with state and local laws governing safety and movement of farm machinery on public roads. When driving the tractor and equipment on the road under 20 mph, at night or during the day, use flashing amber warning lights and a Slow Moving Vehicle (SMV) identification emblem. Do not exceed 20 mph. Reduce speed on rough roads and surfaces. Always install transport locks before transporting the mower. Drive tractor and mower safely. Do not drink and drive.

Stop the tractor, leave the engine running and disengage the tractor PTO. **Be sure the blades have come to a complete stop before continuing.** Set the parking brake.

Raise the three decks by means of the tractor's hydraulics until the three locking hooks ride up over the locking pins and rear mounting bracket. Allow the mowers to float back down so the crook of the locking hooks sit securely over the pins and bracket. **Only transport very short distances this way.** Do not trust the hydraulics alone except for extremely short distances, such as between trees, over bridges, etc. and only when you are sure no bystanders are near.

To transport over extended distances, the wing units should be secured in place with the transport locks (**see #11, fig. 14**) and with the transport brace assembly placed in transport position (**see #13-15, fig. 14**). This will keep the wing units in a vertical position and cut down dramatically on the transport width.

The transport tires are not for highway use. Transportation for other than a very short distance should be done with a trailer. When transporting the Flex mower, maintain a safe speed and slow down when approaching turns.

4.08 - Storage



CAUTION: Following operation, or when unhooking, stop the tractor, set the brakes, disengage the PTO, shut off the engine and remove the ignition key. Store the unit in an area away from human activity. Do not permit children to play on or around the stored unit. Make sure all parked machines are on a hard, level surface and engage all safety devices.

After seasonal use it is important to perform the following for prolonged storage:







1. Raise the mowers and lock them in place with the hooks and if possible the transport braces.
2. Wash the mower carefully.
3. Inspect the mower and replace worn or damaged parts.
4. Tighten all hardware.
5. Grease all areas indicated under Maintenance.
6. Touch up scratches by sanding the area and applying a light coat of primer and paint to prevent rust from forming.
7. Loosen the belts if the mower is to be stored for an extended length of time.
8. Cover the mower from the elements in order to have it in perfect condition for the start of the next season.
9. Make sure all parked machines are on a hard, level surface, and engage all safety devices.
10. Do not permit children to play on or around the stored unit.

| Touch up paint available: | |
|----------------------------------|---|
| Part # | Description |
| 7300007 | Primer, gray - aerosol spray can |
| 7300008 | Paint, Befco orange - aerosol spray can |
| 7300010 | Paint, Befco black - aerosol spray can |

| Part # | Description |
|---------------|---|
| 7300007 | Primer, gray - aerosol spray can |
| 7300008 | Paint, Befco orange - aerosol spray can |
| 7300010 | Paint, Befco black - aerosol spray can |

Note: The machine demolition operations should be carried out in compliance with all federal, state and local environment protection laws.

TABLE 1 - TORQUE SPECIFICATIONS

| Metric (ISO) treaded bolts head marking |  | |  | |  | | Inch (SAE) treaded bolts head marking |  | |  | |  | | | |
|--|---|------|---|------|---|------|--|--|-----------------------|---|-------|---|-------|------|-------|
| | Class 5.8 | | Class 8.8 | | Class 10.9 | | | Grade 2 | | Grade 5 | | Grade 8 | | | |
| Bolt size mm | Thread mm | N.m | ft-lb | N.m | ft-lb | N.m | ft-lb | Bolt size inch | Thread inch tpi | N.m | ft-lb | N.m | ft-lb | N.m | ft-lb |
| M5 | 0.8 | 4 | 3 | 6 | 4 | 9 | 7 | 1/4" | 20 | 7 | 5 | 11 | 8 | 16 | 12 |
| M6 | 1 | 6 | 4 | 10 | 7 | 15 | 11 | 1/4" | 28 | 8 | 6 | 13 | 10 | 19 | 14 |
| M8 | 1.25 | 16 | 12 | 25 | 18 | 36 | 27 | 5/16" | 18 | 15 | 11 | 24 | 17 | 33 | 25 |
| M8 | 1 | 17 | 13 | 26 | 19 | 38 | 28 | 5/16" | 24 | 17 | 13 | 26 | 19 | 37 | 27 |
| M10 | 1.5 | 31 | 23 | 48 | 35 | 71 | 52 | 3/8" | 16 | 27 | 20 | 42 | 31 | 59 | 44 |
| M10 | 1.25 | 33 | 24 | 51 | 38 | 75 | 55 | 3/8" | 24 | 31 | 23 | 47 | 35 | 67 | 49 |
| M10 | 1 | 35 | 26 | 53 | 39 | 78 | 58 | 7/16" | 14 | 43 | 32 | 67 | 49 | 95 | 70 |
| M12 | 1.75 | 54 | 40 | 84 | 62 | 123 | 91 | 7/16" | 20 | 48 | 36 | 75 | 55 | 106 | 78 |
| M12 | 1.5 | 56 | 41 | 87 | 64 | 128 | 94 | 1/2" | 13 | 66 | 48 | 102 | 75 | 144 | 106 |
| M12 | 1.25 | 59 | 44 | 90 | 66 | 133 | 98 | 1/2" | 20 | 75 | 55 | 115 | 85 | 163 | 120 |
| M14 | 2 | 84 | 62 | 133 | 98 | 195 | 144 | 9/16" | 12 | 95 | 70 | 147 | 109 | 208 | 154 |
| M14 | 1.5 | 94 | 69 | 142 | 105 | 209 | 154 | 9/16" | 18 | 106 | 79 | 164 | 121 | 232 | 171 |
| M16 | 2 | 131 | 97 | 206 | 152 | 302 | 223 | 5/8" | 11 | 132 | 97 | 203 | 150 | 287 | 212 |
| M16 | 1.5 | 141 | 104 | 218 | 161 | 320 | 236 | 5/8" | 18 | 149 | 110 | 230 | 170 | 325 | 240 |
| M18 | 2.5 | 181 | 133 | 295 | 218 | 421 | 310 | 3/4" | 10 | 233 | 172 | 361 | 266 | 509 | 376 |
| M18 | 2 | 196 | 145 | 311 | 229 | 443 | 327 | 3/4" | 16 | 261 | 192 | 403 | 297 | 569 | 420 |
| M18 | 1.5 | 203 | 150 | 327 | 241 | 465 | 343 | 7/8" | 9 | 226 | 167 | 582 | 430 | 822 | 606 |
| M20 | 2.5 | 256 | 189 | 415 | 306 | 592 | 437 | 7/8" | 14 | 249 | 184 | 642 | 473 | 906 | 668 |
| M20 | 1.5 | 288 | 212 | 454 | 335 | 646 | 476 | 1" | 8 | 339 | 250 | 873 | 644 | 1232 | 909 |
| M22 | 2.5 | 344 | 254 | 567 | 418 | 807 | 595 | 1" | 12 | 371 | 273 | 955 | 704 | 1348 | 995 |
| M22 | 1.5 | 381 | 281 | 613 | 452 | 873 | 644 | 1-1/8" | 7 | 480 | 354 | 1077 | 794 | 1746 | 1288 |
| M24 | 3 | 444 | 327 | 714 | 526 | 1017 | 750 | 1-1/8" | 12 | 539 | 397 | 1208 | 891 | 1958 | 1445 |
| M24 | 2 | 488 | 360 | 769 | 567 | 1095 | 808 | 1-1/4" | 7 | 677 | 500 | 1519 | 1120 | 2463 | 1817 |
| M27 | 3 | 656 | 484 | 1050 | 774 | 1496 | 1103 | 1-1/4" | 12 | 750 | 553 | 1682 | 1241 | 2728 | 2012 |
| M27 | 2 | 719 | 530 | 1119 | 825 | 1594 | 1176 | 1-3/8" | 6 | 888 | 655 | 1992 | 1469 | 3230 | 2382 |
| M30 | 3.5 | 906 | 668 | 1420 | 1047 | 2033 | 1499 | 1-3/8" | 12 | 1011 | 746 | 2268 | 1673 | 3677 | 2712 |
| M30 | 2 | 1000 | 738 | 1600 | 1180 | 2250 | 1659 | 1-1/2" | 6 | 1179 | 869 | 2643 | 1949 | 4286 | 3161 |
| M36 | 4 | 1534 | 1131 | 2482 | 1830 | 3535 | 2607 | 1-1/2" | 12 | 1326 | 978 | 2974 | 2194 | 4823 | 3557 |

When using lock washers with nuts, increase torque values by 5%.

TABLE 2 - CYCLONE SUPER-FLEX MOWER - TECHNICAL FEATURES

| Super-Flex Mower for tractors up to 80 HP, PTO 540 rpm, air tires, CV-PTO. | | | | | | | | | | |
|--|-------|---------------|-----------------|------------------|------------|----------|----------------|----------------|-------------------|---------------------------|
| Model | HP | Working width | Transport width | Transport height | Weight lb. | # Blades | Cutting height | # Belts & Type | # Wheels & Size | Driveline 1 3/8" |
| 412-SFLA | 35-80 | 12' | 91" | 74" | 3090 | 9 | 1" - 5" | 6 SPBX | 12 - 13"x6.5" air | ASAE 6 th cat. |
| 415-SFLA | 40-80 | 15' | 97" | 92" | 3267 | 9 | 1" - 5" | 6 SPBX | 12 - 13"x6.5" air | ASAE 6 th cat. |
| 417-SFLA | 45-80 | 17' | 100" | 103" | 3438 | 9 | 1" - 5" | 6 SPBX | 12 - 13"x6.5" air | ASAE 6 th cat. |
| 420-SFLA | 50-80 | 20' | 114" | 116" | 3747 | 9 | 1" - 5" | 6 SPBX | 12 - 13"x6.5" air | ASAE 6 th cat. |

5 - REPAIR PROCEDURES



CAUTION: All repair procedures must be done by authorized dealerships. It is not recommended that untrained individuals perform any repair work. The following operations are detailed for qualified personnel only.

5.01 - Gearbox

To remove the gearbox from decks do the following:

1. Remove the belt guards.
2. Loosen the nuts holding the gearbox support plate (**see fig. 23**).
3. Loosen the nut and turn the bolt in order to push the gearbox forward and release tension on the belts (**see fig. 23**).
4. Remove the belts²².
5. Remove the nuts holding the central plate to the frame.
6. Remove the nut holding the pulley to the gearbox pinion shaft. Remove the pulley.
7. Unbolt the nuts holding the gearbox support plate to the central plate (**see fig. 23**). Remove gearbox and gearbox support plate.
8. Unbolt the nuts holding the gearbox to the gearbox support plate. Remove the gearbox.

If it is necessary to replace any part on the inside of the gearbox, it is important to replace oil seals or gaskets to ensure a tight fit when reassembling.

To replace the gearbox, follow the above instructions in reverse order.

5.02 - Blade Spindle

To remove a blade spindle do the following:

1. Remove the belts²³.
2. Remove the nut holding the pulley to the spindle shaft (**see fig. 20**).
3. Remove the blades²⁴.
4. Unbolt the bolts holding the rotor support to the mower deck.
5. If necessary remove and replace the bearings from the rotor using presses or extractors.
6. Reassemble in reverse order **ensuring that the nut securing the top pulley (see fig. 20) is tightened to 118 lb.ft.**

²² See Section 4.05 - Belt Replacement.

²³ See Section 4.05 - Belt Replacement.

²⁴ See Section 4.03 - Blade Maintenance.

5.03 - Suggested Spare Parts

It is suggested that the following spare parts be kept on hand for the mower at all times to prevent a minor problem from delaying work.

| Description | Quantity |
|-------------------------|----------|
| Blades | 9 |
| Blade bolts and washers | 9 |
| Belts | 3 sets |
| Wheels | 2 |
| 1" Spacers | 4 |
| 1/2" Spacers | 2 |
| 1/4" Spacers | 2 |
| Cotter pins | 8 |

6 - TROUBLESHOOTING



WARNING: Be sure tractor engine is off, parking brake is locked, and key is removed before making any adjustments.

| PROBLEM | POSSIBLE CAUSE | SOLUTION |
|----------------------------------|--|---|
| Uneven cutting. | Cup washer not between blade and bolt. Ground speed too fast. Blades need sharpening. Caster wheels uneven. | Check washer location at all three spindles. Shift to lower gear. Sharpen blades. Adjust wheel position. |
| Blades turning but not cutting. | Direction of blades is wrong. Splitter gearbox mounted in wrong position. | Blade should turn CCW when you face deck bottom. Rotate splitter gearbox to proper position. |
| Belt slippage. | Lack of tension. Object clogging mower. Debris in sheaves. Only one belt replaced. | Tighten belt. Remove object. Clean sheaves. Always replace both belts. |
| Mower vibrates. | Object wrapped around blade. Belt damaged. | Remove object. Replace belt. |
| Belt squeal. | Belt slipping. | Tighten belt. |
| Grass build up at exit. | Wet grass. Grass too high. Tractor rpm too slow. Ground speed too slow. | Allow grass to dry. Raise mower, shift to lower gear, make two passes over grass. Mow grass high 1 st pass, 2 nd pass cut to desired height. Increase tractor rpm, check engine and PTO speeds. Increase ground speed. |
| Belts are tight when installing. | Wrong belt size. Belts installed incorrectly. | Check belt size. See Replacing Belts section. |

| PROBLEM | POSSIBLE CAUSE | SOLUTION |
|--------------------------------|--|---|
| Streaking conditions in swath. | Too wet to mow. Blades cannot cut grass pressed down by wheels. Dull blades. Blades worn down, preventing overlap. Mowers not overlapping. Not enough lift. | Allow grass to dry. Maintain engine speed and shift to lower gear. Sharpen blades. Change blades. Move side mowers in. Use high lift blades. |
| Cut grass windrows. | Ground speed too slow. Tractor rpm too low. | Increase ground speed. Increase tractor rpm, check engine and PTO speeds. |

7 - PRE-DELIVERY CHECKLIST

To the dealer: Inspect the machine thoroughly after assembly to assure it is functioning properly before delivering it to the customer. The following checklist is a reminder of points to cover. Check off each item as it is found satisfactory or after proper adjustment is made.

- Gearbox oil level.
- Guards and shield properly fastened.
- Lubrication of grease fittings.
- All hardware properly tightened.
- All decals properly located and readable (**see fig. 2**).
- Blades properly installed, blade bolts and nuts tightened.
- Overall condition (touch up scratches, clean and polish).
- Test run, check for excessive vibration or overheating of bearings.
- Operator's Manual.

Review the Operator's Manual with the customer. Explain the following:

- Warranty.
- Safe operation and service.
- Correct machine installation and operation.
- Daily and periodic lubrication, maintenance and inspections.
- Troubleshooting.
- Operational procedures and storage.
- Parts and service.
- Fill out the Pre-Delivery Checklist and Warranty Registration form.
- Give customer the Operator's Manual and encourage the customer to read the manual carefully.

IMPORTANT: Warranty is not valid unless Pre-Delivery Checklist and Warranty Registration form in Operator's Manual is completed in detail and mailed to the Company.

Model Number: _____

Serial Number: _____

Delivery Date: _____

Dealer's Signature: _____

8 - WARRANTY

BEFCO's responsibility will be limited to substitution of the acknowledged defective merchandise to the same place of delivery as the previous one was supplied.

1. LIMITED WARRANTY

BEFCO, Inc. herein referred to as the Company, warrants its machines and related accessories, hereafter referred to as the Machine, to be free from defects in material and workmanship, for a period of twelve (12) months from the date of invoice to the first registered owner; this limited warranty does not apply to common wear items and excludes belts, shear pins, oil, grease, tires, tubes, hydraulic hoses, knives and PTO shafts.

Labor will be reimbursed at \$40.00 per hour based on BEFCO's time schedule.

Cost of transport to the servicing dealer is the responsibility of the customer.

Warranty coverage shall not be transferable from the first owner to any subsequent owner.

2. DISCLAIMER OF ALL OTHER WARRANTIES AND REMEDIES

Neither the Company nor any company affiliated with the Company makes any warranties, representations or promises, expressed or implied, as to the quality, performance or application of its products other than those set forth herein and does not make any implied warranty of merchantability or fitness.

The only remedies the purchaser has in connection with the breach, or performance of any warranty on the Company's Machine are those set forth herein. In no event will the dealer, the Company, or any company affiliated with the Company, be liable for:

- a. Injuries or damages of any kind or nature, direct, consequential or contingent to person or property.
- b. Any expenses incurred by the owner to repair, replace or rework any allegedly defective item.
- c. Any loss, cost, forfeiture or damages (including loss of profits; loss of crops; loss because of delay in field operations; any expenses or loss incurred for labor, supplies, substitute machine rental; liabilities of the owner to its customers or third persons; and all other consequential damages, losses, liabilities or damages for any other reasons) whether direct or indirect, and whether or not resulting from or contributed to by the default or negligence of the Company, its agents, employees and subcontractors which might be claimed as a result of the use or failure of the equipment delivered.

The Company's liability based on this limited warranty or any other applicable laws shall be limited to replacement or refund of the purchase price of the product.

The limited warranty extended herein gives you specific rights and you may also have other rights which vary from state to state. Neither the dealer nor the Company personnel has the authority to make any representation or to modify the terms and limitations of this warranty in any way.

Other than the limited warranty extended hereby there is no other expressed warranty in connection with the design, safety or use of any of the Company's products except as to title. All implied warranties are expressly disclaimed pursuant to the terms of this warranty.

3. CUSTOM WORK

If the Machine is used for commercial purposes such as custom work, the period warranted for the Machine is limited to six (6) months from the date of delivery to the first registered owner and does not cover any labor charges incurred.

4. RENTAL

If the Machine is used for rental purposes the period warranted for the Machine is limited to thirty (30) days from the date of delivery to the first registered owner and does not cover any labor charges incurred.

5. REGISTRATION

In order to qualify for coverage on this limited warranty, the product and name of the original purchaser must be registered with the Company by a completed Machine Pre-Delivery Checklist and Warranty Registration along with a copy of the dealer's invoice to the first registered owner to the Company within fourteen (14) days after the date of delivery to the original purchaser.

6. WARRANTY SERVICE

Warranty Service must be performed by a dealer authorized by BEFCO. If the warranty service requested is approved, the owner shall pay only for labor beyond the rate allowed, for overtime labor, and for any mileage charge for transporting the equipment to and from the dealer's shop. It is assumed that the dealer has the appropriate general and special tools to service the Machine. Time required for replacement of knives, oil, grease and to remove excessive dirt from the Machine is not subject to reimbursement by the Company. The owner is required to clean the Machine before presenting it to the dealer for service work. The Machine must be delivered within thirty (30) days after failure date by the owner to the dealer to be eligible for warranty consideration.

7. UNAPPROVED SERVICE OR MODIFICATION

All obligations of the Company under this limited warranty shall be terminated if:

- a. Proper service and operation instructions as outlined in the Operator's Manual and on the instruction sticker on the Machine, are not followed.
- b. The Machine is modified or altered in any way not approved by the Company.
- c. The Company does not receive a copy of the dealer's invoice to the first registered owner within fourteen (14) days from the date of delivery.
- d. The Company has not been paid in full, by the dealer, for the Machine.

8. ACCIDENTS AND NORMAL MAINTENANCE

This limited warranty covers defective material and workmanship. It does not cover depreciation or damage caused by normal wear, accidents, improper maintenance, improper protection or improper use. The costs of normal maintenance or repairs for accidents or improper use, and related labor will be borne by the owner.

9. REPLACEMENT PARTS

BEFCO, Inc. warrants replacement parts to be free from defect in material and workmanship for a period of thirty (30) days from the date of delivery to the original purchaser.

WARRANTY REGISTRATION

BEFCO, Inc.
P.O. Box 6036
Rocky Mount, NC 27802-6036

Tel: (252) 977.9920 - Fax: (252) 977.9718

| | |
|---|---|
| Dealer _____ Acct. # _____ | Retail Customer _____ |
| Street _____ Country _____ | Street _____ |
| Town _____ State _____ Zip _____ | Town _____ State _____ Zip _____ |
| Date of delivery _____ Invoice # _____ | Phone _____ |
| Model # _____ Serial # _____ | |
| <p>Pre-Delivery Checklist:</p> <p><input type="checkbox"/> Oil in gearbox.</p> <p><input type="checkbox"/> Greased fittings.</p> <p><input type="checkbox"/> Safety guards in place.</p> <p><input type="checkbox"/> All hardware tight.</p> <p><input type="checkbox"/> Bolts torqued correctly.</p> <p><input type="checkbox"/> Attached unit to tractor. Yes/No.</p> <p><input type="checkbox"/> Field adjusted. Yes/No.</p> <p><input type="checkbox"/> Test run. Dry/Infield.</p> <p><input type="checkbox"/> Safety decals.</p> <p><input type="checkbox"/> Operator's Manual.</p> <p>The machine described above, had been prepared for delivery according to the Pre-Delivery Checklist and the Customer has been instructed in its care and operation and the condition of warranty.</p> | <p>Tractor make: _____</p> <p>Model: _____; HP _____</p> <p>Type of operation: Private homeowner, Landscaping, Commercial maintenance, Golf Course, Municipality, Turf Farm, others: _____</p> <p>Approximate number of acres machine will be used on annually: _____</p> <p>I hereby acknowledge that: I have received and accepted delivery of the machine described. The equipment was checked thoroughly for loose or missing parts and has been adjusted in accordance with the Pre-Delivery Checklist. I have read and understand the nature and extent of the warranty and understand clearly that there were and are no other representations of warranties either expressed or implied, made by anyone. I have been advised on proper operation, maintenance and lubrication procedure of this equipment. I have been instructed on and do understand the application, limitation and capacities this equipment was designed and recommended for, all as described in the Operator's Manual and literature published by the Company.</p> |
| Inspected by: _____ | |
| Date: _____ | Date: _____ |
| Dealer's Signature: _____ | Customer's Signature: _____ |

This registration along with a copy of the invoice must be sent to BEFCO, Inc. within 14 days of date of purchase.

Sender:

Fold here

*Place stamp
here*

BEFCO, Inc.

Warranty Department

P.O. Box 6036

Rocky Mount, NC 27802-6036

Cut along this line



Use only original spare parts

All rights reserved. It is unlawful to copy, reprint or use any of the information or details in this manual without the expressed written permission of the Company. Technical information provided in this manual is approximate, the Company reserves the right to modify or improve the models shown for technical or commercial purposes. Pictures in this manual do not necessarily show the machine as delivered.

BEFCO[®]

P.O. Box 6036
Rocky Mount, NC 27802-6036
Tel.: 252.977.9920 - Fax: 252.977.9718
www.befco.com

