

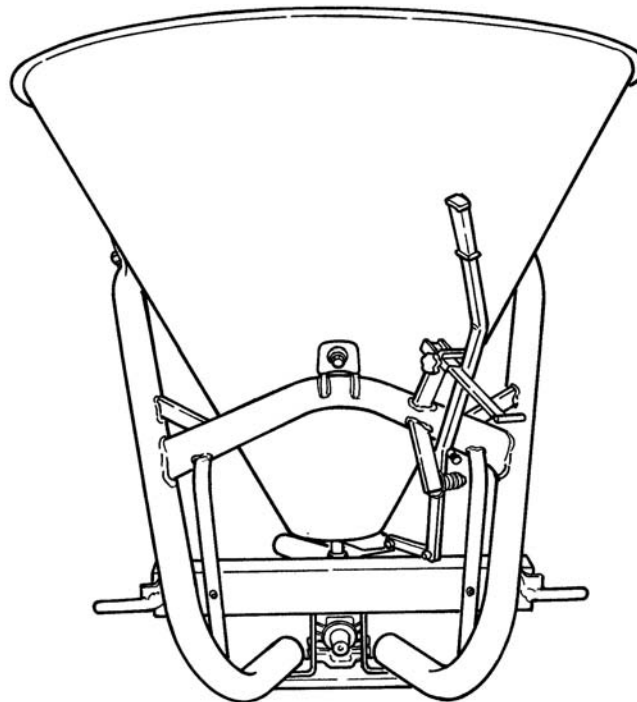
BEFCO®

Parts Manual

HOP

Fertilizer Spreader

203, 206, 209, 212



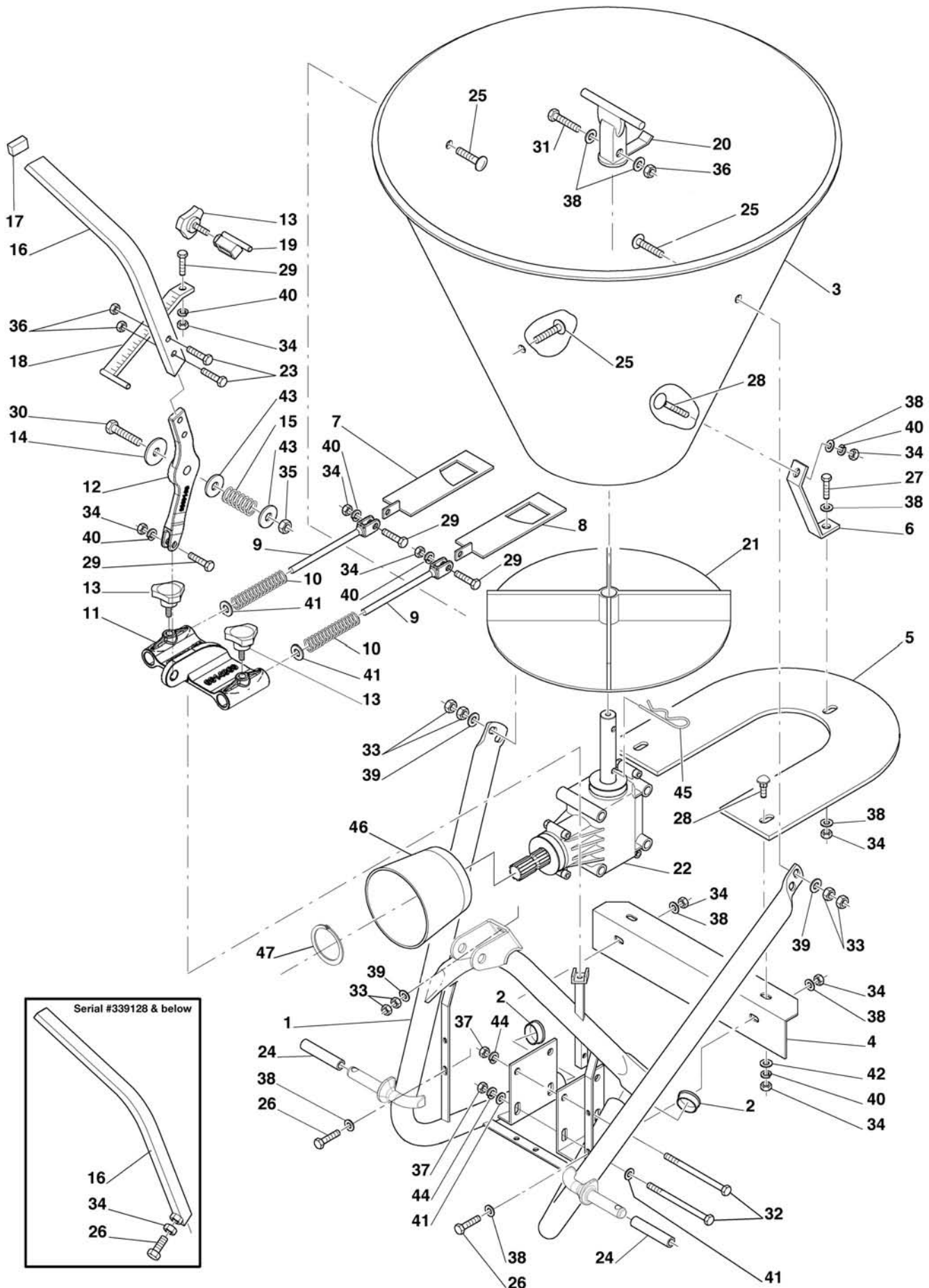
**Manual 961-116B
September 2017**

Ref.	Part #	Description	Qty.
1	501-660B	Frame w/cat. 0/1 hitch; 203-120 #287132 & below ¹	1
	001-4620	Frame w/cat. 1 hitch; 203-120 #287133 & above	1
2	001-4616	Rubber cap Ø45	2
3	501-661B	Hopper, steel; 203-120	1
4	501-668B	Guard	1
5	501-630B	Flow control assembly	1
6	501-631B	Adjustment knob M06x16	2
7	501-639B	Adjustment knob	1
8	501-123B	Stationary stirrer	1
9	501-622B	Threaded bushing M20	1
10	501-652B	Mobile shutter	1
11	501-650B	Spreader disc, nylon	1
12	001-4627	Protection; #339129 & above	1
13	001-4338	Attachment plate; #339129 & above	1
14	001-5012	Bolt HH M08-1.25x20 C8.8 Z F	2
15	501-670B	Gearbox, complete	1
16	004-6454	Bolt HH M08-1.25x16 C8.8 Z F	1
17	001-4710	Bushing cat. 0/1; #287132 & below	2
18	501-663B	Bolt CR M08-1.25x25 C4.6 Z	3
19	001-5230	Washer flat Ø8 Z	9
20	001-4514	Washer fender Ø8 Z	7
21	000-1806	Nut HH M08-1.25 C6 Z TK	10
22	009-1446	Bolt HH M08-1.25x25 C8.8 Z F	2
23	001-1209	Washer fender Ø6 Z	1
24	001-5220	Bolt HH M08-1.25x35 C8.8 Z F	1
25	009-1384	Nut ES M08-1.25 Z TK	1
26	501-651B	Nut HH M30-2.00 C6 Z TN	1
27	004-1291	Hairpin cotter Ø5 Z	1
28	001-5273	Bolt HH M10-1.50x110 C8.8 Z P	4
29	000-2034	Washer flat Ø10 Z	4
30	000-1280	Washer lock Ø10 Z	4
31	009-0150	Nut HH M10-1.50 C6 Z MD	4
32	004-6545	Nut HH M08-1.25 C6 Z MD	2
33	000-3144	Washer lock Ø08 Z	1
34	008-4289	Bolt CR M08-1.25x20 C4.6 Z	1
35	001-8531	Guard	1
36	001-4464	Snap ring, outer Ø65	1

¹ Interchangeable with part #001-4620 if spreader is used on a tractor with a cat. 1 hitch.

Ref.	Part #	Description	Qty.
1	501-660B	Frame w/cat. 0/1 hitch; 203-220 #287132 & below ²	1
	001-4620	Frame w/cat. 1 hitch; 203-220 #287133 & above	1
2	001-4616	Rubber cap Ø45	2
3	011-4629	Hopper, polyethylene; 203-220	1
4	501-668B	Guard	1
5	501-630B	Flow control assembly	1
6	501-631B	Adjustment knob M06x16	2
7	501-639B	Adjustment knob	1
8	501-123B	Stationary stirrer	1
9	501-622B	Threaded bushing M20	1
10	001-4773	Mobile shutter, s/steel	1
11	501-650B	Spreader disc, nylon	1
12	001-4627	Protection; #339129 & above	1
13	001-4338	Attachment plate; #339129 & above	1
14	001-5012	Bolt HH M08-1.25x20 C8.8 Z F	2
15	501-670B	Gearbox, complete	1
16	001-4318	Nut HH M08-1.25 SS MD	6
17	001-4710	Bushing cat. 0/1; #287132 & below	2
18	001-4619	Bolt CR M08-1.25x35 C4.6 Z	3
19	001-5230	Washer flat Ø8 Z	6
20	001-4514	Washer fender Ø8 Z	7
21	000-1806	Nut HH M08-1.25 C6 Z TK	10
22	009-1446	Bolt HH M08-1.25x25 C8.8 Z F	2
23	001-1209	Washer fender Ø6 Z	1
24	001-4660	Bolt HH M08-1.25x35 SS F	1
25	001-4335	Nut ES M08-1.25 SS TK	1
26	501-651B	Nut HH M30-2.00 C6 Z TN	1
27	004-1291	Hairpin cotter Ø5 Z	1
28	001-5273	Bolt HH M10-1.50x110 C8.8 Z P	4
29	000-2034	Washer flat Ø10 Z	4
30	000-1280	Washer lock Ø10 Z	4
31	009-0150	Nut HH M10-1.50 C6 Z MD	4
32	004-6545	Nut HH M08-1.25 C6 Z MD	1
33	001-4317	Washer lock Ø08 SS	6
34	001-4315	Bolt CR M08-1.25x25 SS	6
35	001-4772	Bottom plate, s/steel	1
36	004-6454	Bolt HH M08-1.25x16 C8.8 Z F	1
37	001-4316	Washer fender Ø08 SS	5
38	001-4319	Washer flat Ø08 SS	3
39	001-8531	Guard	1
40	001-4464	Snap ring, outer Ø65	1

² Interchangeable with part #001-4620 if spreader is used on a tractor with a cat. 1 hitch.



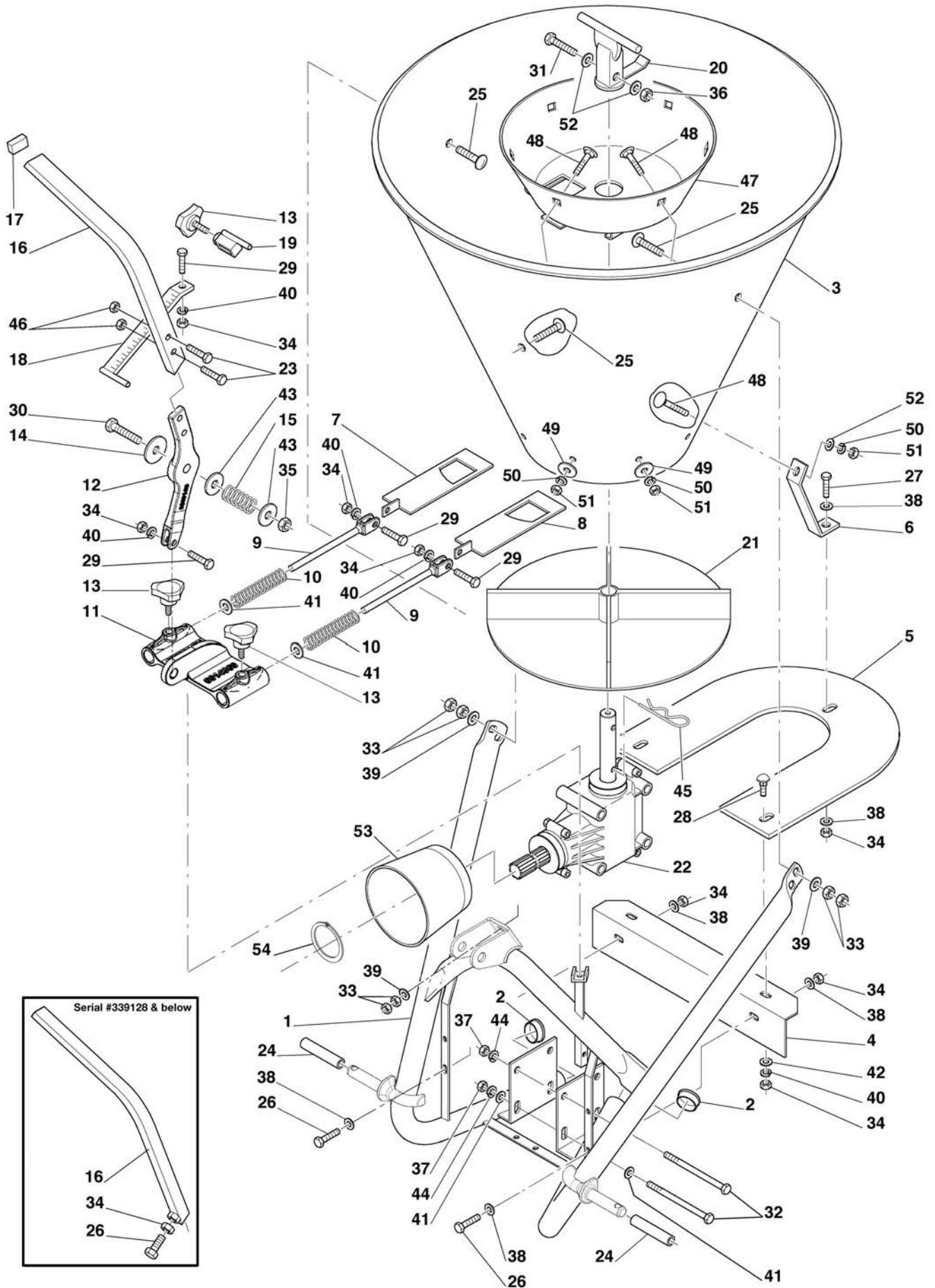
Ref.	Part #	Description	Qty.
1	001-4601	Frame w/cat. 0/1 hitch; 206 #288985 & below ³	1
	001-4625	Frame w/cat. 1 hitch; 206 #288986 & above	1
2	001-4616	Rubber cap Ø45	2
3	021-4624	Hopper, steel; 206-121	1
4	001-4630	Protection	1
5	001-4632	Protection	1
6	001-4338	Attachment plate, steel hopper	1
7	011-4640	Shutter, right	1
8	021-4640	Shutter, left	1
9	001-4641	Tie rod	2
10	502-024B	Tension spring	2
11	502-025B	Guide plate, shutter; #339128 & below ⁴	1
	001-4360	Guide plate, shutter; #339129 & above	1
12	502-002B	Bracket, shutter adjustment lever; #339128 & below ⁵	1
	001-4366	Bracket, shutter adjustment lever; #339129 & above	1
13	501-589B	Adjustment knob M08x16	3
14	501-585B	Washer flat nylon Ø12	1
15	501-586B	Spring	1
16	001-4643	Lever, shutter adjustment; #339128 & below	1
	001-4640	Lever, shutter adjustment; #339129 & above	1
17	001-4391	Rubber cap	1
18	001-4645	Scaled rod	1
19	502-008B	Lever stop	1
20	501-597B	Stationary stirrer	1
21	001-4647	Spreader disc	1
22	001-4690	Gearbox, complete	1
23	009-1446	Bolt HH M08-1.25x25 C8.8 Z F	2
24	001-4710	Bushing cat. 0/1; #288985 & below	2
25	501-663B	Bolt CR M08-1.25x25 C4.6 Z	3
26	001-5012	Bolt HH M08-1.25x20 C8.8 Z F	2
27	004-6454	Bolt HH M08-1.25x16 C8.8 Z F	1
28	008-4289	Bolt CR M08-1.25x20 C4.6 Z	3
29	004-6543	Bolt HH M08-1.25x30 C8.8 Z F	4
30	000-7128	Bolt HH M12-1.75x80 C8.8 Z F	1
31	001-4427	Bolt HH M08-1.25x45 C8.8 Z P	1
32	001-5273	Bolt HH M10-1.50x110 C8.8 Z P	4
33	000-1806	Nut HH M08-1.25 C6 Z TK	6
34	004-6545	Nut HH M08-1.25 C6 Z MD	10
35	001-3345	Nut ES M12-1.75 Z TK	1
36	009-1384	Nut ES M08-1.25 Z TK	3
37	009-0150	Nut HH M10-1.50 C6 Z MD	4
38	001-5230	Washer flat Ø8 Z	9
39	001-4514	Washer fender Ø8 Z	3
40	000-3144	Washer lock Ø8 Z	7
41	000-2034	Washer flat Ø10 Z	6
42	003-0157	Washer fender Ø10 Z	2
43	000-2265	Washer flat Ø12 Z	2

³ Interchangeable with part #001-4625 if spreader is used on a tractor with a cat. 1 hitch.

⁴ Interchangeable with guide plate #001-4360.

⁵ Interchangeable with bracket #001-4366.

Ref.	Part #	Description	Qty.
44	000-1280	Washer lock Ø10 Z	4
45	004-1291	Hairpin cotter Ø5 Z	1
46	001-8531	Guard	1
47	001-4464	Snap ring, outer Ø65	1



Serial #339128 & below

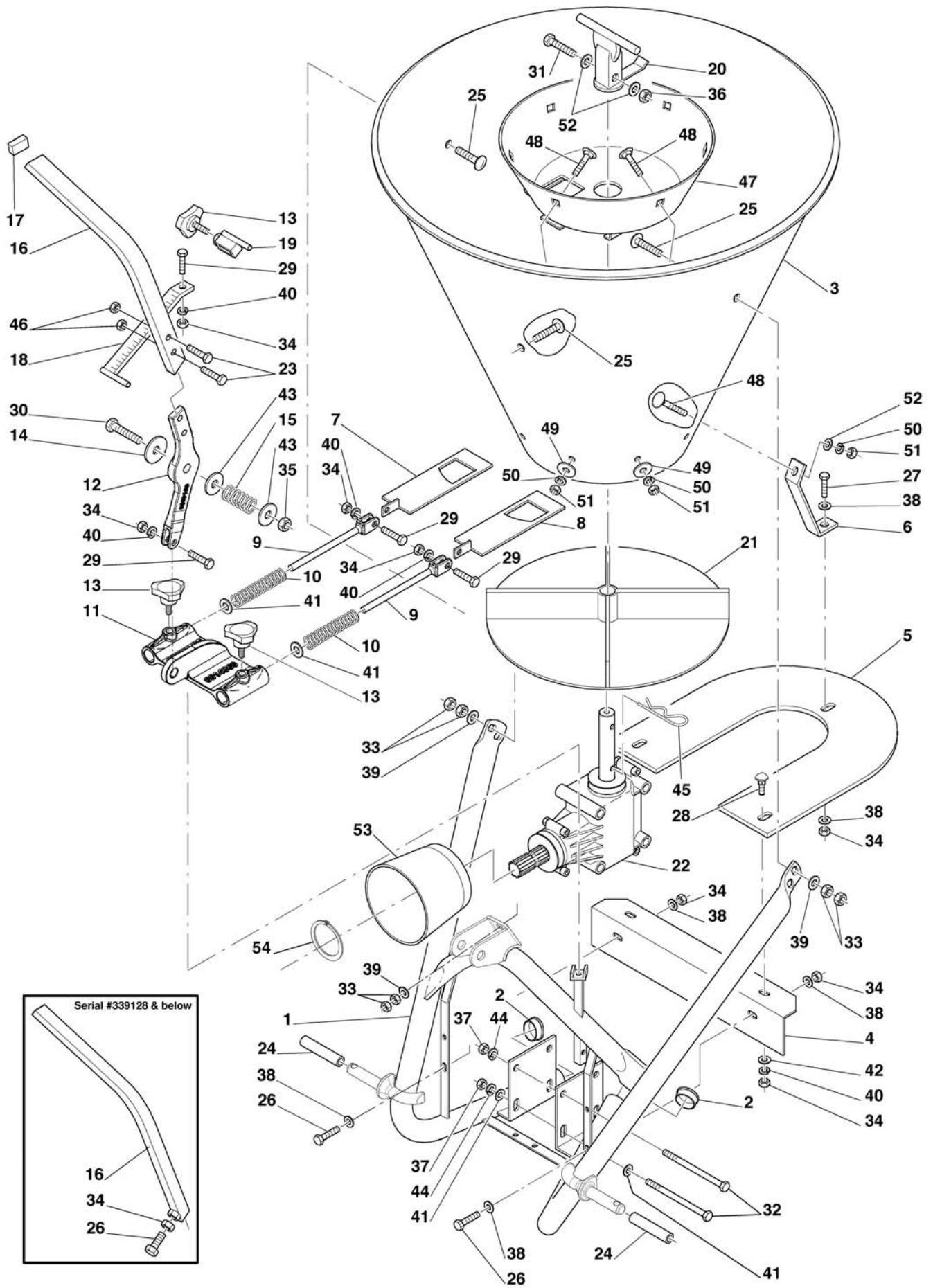
16
34
26

Ref.	Part #	Description	Qty.
1	001-4601	Frame w/cat. 0/1 hitch; 206 #288985 & below ⁶	1
	001-4625	Frame w/cat. 1 hitch; 206 #288986 & above	1
2	001-4616	Rubber cap Ø45	2
3	021-4629	Hopper polyethylene; 206-221	1
4	001-4630	Protection	1
5	001-4632	Protection	1
6	001-4635	Attachment plate, poly hopper	1
7	011-4648	Shutter stainless steel, right	1
8	021-4648	Shutter stainless steel, left	1
9	001-4641	Tie rod	2
10	502-024B	Tension spring	2
11	502-025B	Guide plate, shutter; #339128 & below ⁷	1
	001-4360	Guide plate, shutter; #339129 & above	1
12	502-002B	Bracket, shutter adjustment lever; #339128 & below ⁸	1
	001-4366	Bracket, shutter adjustment lever; #339129 & above	1
13	501-589B	Adjustment knob M08x16	3
14	501-585B	Washer flat nylon Ø12	1
15	501-586B	Spring	1
16	001-4643	Lever, shutter adjustment; #339128 & below	1
	001-4640	Lever, shutter adjustment; #339129 & above	1
17	001-4391	Rubber cap	1
18	001-4645	Scaled rod	1
19	502-008B	Lever stop	1
20	501-597B	Stationary stirrer	1
21	001-4647	Spreader disc	1
22	001-4690	Gearbox, complete	1
23	009-1446	Bolt HH M08-1.25x25 C8.8 Z F	2
24	001-4710	Bushing cat. 0/1; #288985 & below	2
25	001-4619	Bolt CR M08-1.25x35 C4.6 Z	3
26	001-5012	Bolt HH M08-1.25x20 C8.8 Z F	2
27	004-6454	Bolt HH M08-1.25x16 C8.8 Z F	1
28	008-4289	Bolt CR M08-1.25x20 C4.6 Z	2
29	004-6543	Bolt HH M08-1.25x30 C8.8 Z F	4
30	000-7128	Bolt HH M12-1.75x80 C8.8 Z F	1
31	001-4334	Bolt HH M08-1.25x45 SS P	1
32	001-5273	Bolt HH M10-1.50x110 C8.8 Z P	4
33	000-1806	Nut HH M08-1.25 C6 Z TK	6
34	004-6545	Nut HH M08-1.25 C6 Z MD	9
35	001-3345	Nut ES M12-1.75 Z TK	1
36	001-4335	Nut ES M08-1.25 SS TK	1
37	009-0150	Nut HH M10-1.50 C6 Z MD	4
38	001-5230	Washer flat Ø8 Z	6
39	001-4514	Washer fender Ø8 Z	3
40	000-3144	Washer lock Ø8 Z	6
41	000-2034	Washer flat Ø10 Z	6
42	003-0157	Washer fender Ø10 Z	2
43	000-2265	Washer flat Ø12 Z	2

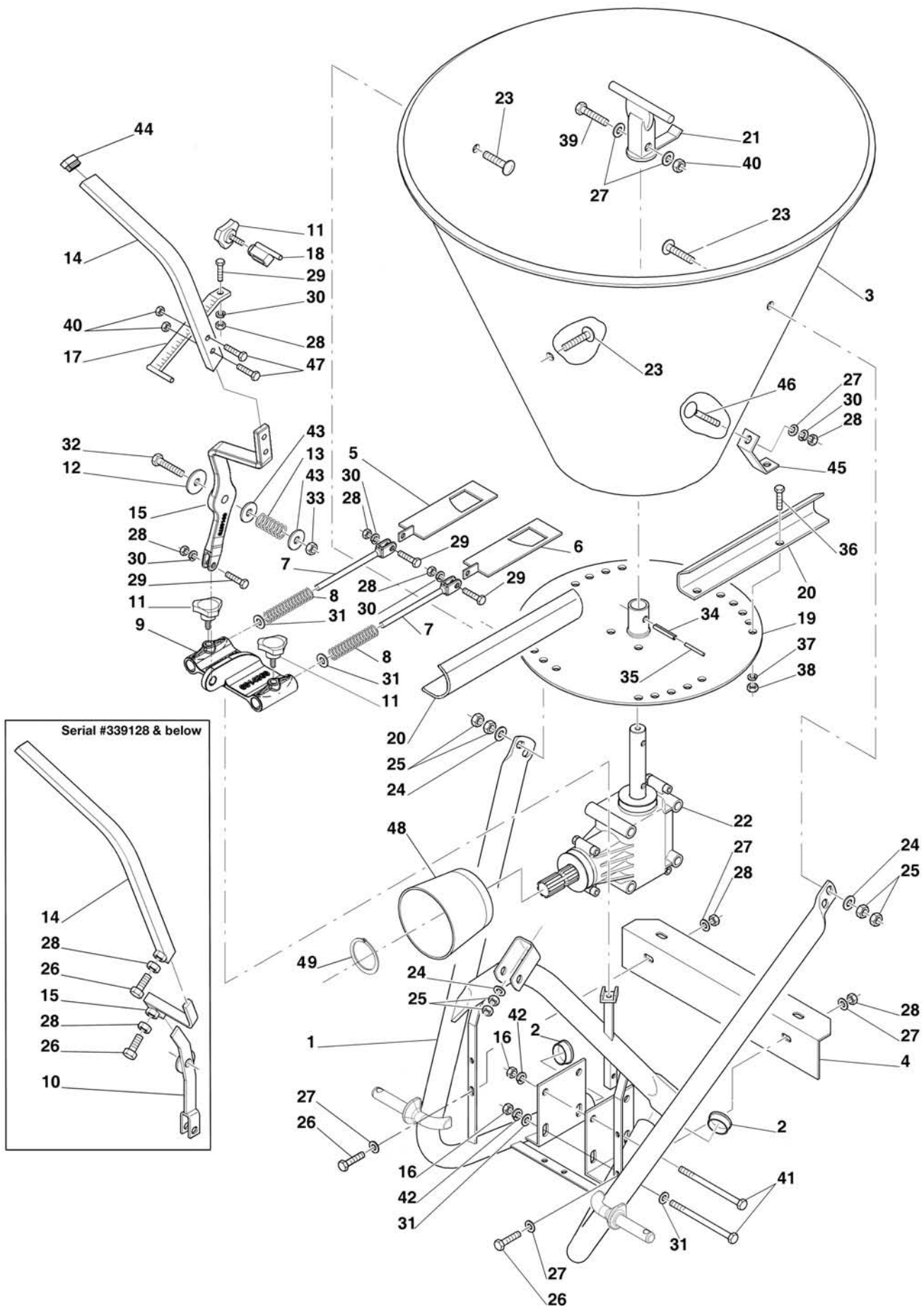
⁶ Interchangeable with part #001-4625 if spreader is used on a tractor with a cat. 1 hitch.

⁷ Interchangeable with guide plate #001-4360.

⁸ Interchangeable with bracket #001-4366.



Ref.	Part #	Description	Qty.
44	000-1280	Washer lock Ø10 Z	4
45	004-1291	Hairpin cotter Ø5 Z	1
46	009-1384	Nut ES M08-1.25 Z TK	2
47	001-4327	Hopper bottom plate, stainless steel	1
48	001-4315	Bolt CR M08-1.25x25 SS	6
49	001-4316	Washer fender Ø08 SS	5
50	001-4317	Washer lock Ø08 SS	6
51	001-4318	Nut HH M08-1.25 SS MD	6
52	001-4319	Washer flat Ø08 SS	3
53	001-8531	Guard	1
54	001-4464	Snap ring, outer Ø65	1



Ref.	Part #	Description	Qty.
1	502-011B	Frame; 209, 212 #339128 & below ⁹	1
	001-4300	Frame; 209, 212 #339129 & above	1
2	502-020B	Rubber cap Ø60	2
3	502-014B	Hopper, steel; 209-121	1
	502-015B	Hopper, steel; 212-121	1
4	502-013B	Protection	1
5	502-009B	Shutter, right	1
6	502-003B	Shutter, left	1
7	502-004B	Tie rod; #339128 & below ¹⁰	2
	001-4346	Tie rod; #339129 & above	2
8	502-024B	Tension spring	2
9	502-025B	Guide plate, shutter; #339128 & below ¹¹	1
	001-4360	Guide plate, shutter; #339129 & above	1
10	502-002B	Bracket, shutter adjustment lever; #339128 & below ¹²	1
11	501-589B	Adjustment knob M08x16	3
12	501-585B	Washer flat nylon Ø12	1
13	501-586B	Spring	1
14	001-4380	Lever, shutter adjustment; #339128 & below	1
	001-4375	Lever, shutter adjustment; #339129 & above	1
15	001-4384	Hitch, shutter adjustment lever; #339128 & below ¹³	1
	001-4370	Hitch, shutter adjustment lever; #339129 & above	1
16	009-0150	Nut HH M10-1.50 C6 Z MD	4
17	001-4396	Scaled rod	1
18	502-008B	Lever stop	1
19	501-599B	Spreader disc, steel	1
20	501-598B	Spreader wing, steel	4
21	501-597B	Stationary stirrer	1
22	001-4690	Gearbox, complete	1
23	005-1073	Bolt CR M12-1.75x30 C4.6 Z; 209-121	3
	005-1073	Bolt CR M12-1.75x30 C4.6 Z; 212-121	5
24	009-1435	Washer flat Ø14 Z; 209-121	3
	009-1435	Washer flat Ø14 Z; 212-121	5
25	000-1106	Nut HH M12-1.75 C6 Z MD; 209-121	6
	000-1106	Nut HH M12-1.75 C6 Z MD; 212-121	10
26	001-5012	Bolt HH M08-1.25x20 C8.8 Z F	2
27	001-5230	Washer flat Ø8 Z	7
28	004-6545	Nut HH M08-1.25 C6 Z MD	7
29	004-6543	Bolt HH M08-1.25x30 C8.8 Z F	4
30	000-3144	Washer lock Ø8 Z	5
31	000-2034	Washer flat Ø10 Z	6
32	000-7128	Bolt HH M12-1.75x80 C8.8 Z F	1
33	001-3345	Nut ES M12-1.75 Z TK	1
34	002-9247	Roll pin Ø8x40	1
35	501-596B	Roll pin Ø5x40	1
36	003-6319	Bolt HH M06-1.00x16 C8.8 Z F	8
37	004-6536	Washer lock Ø6 Z	8

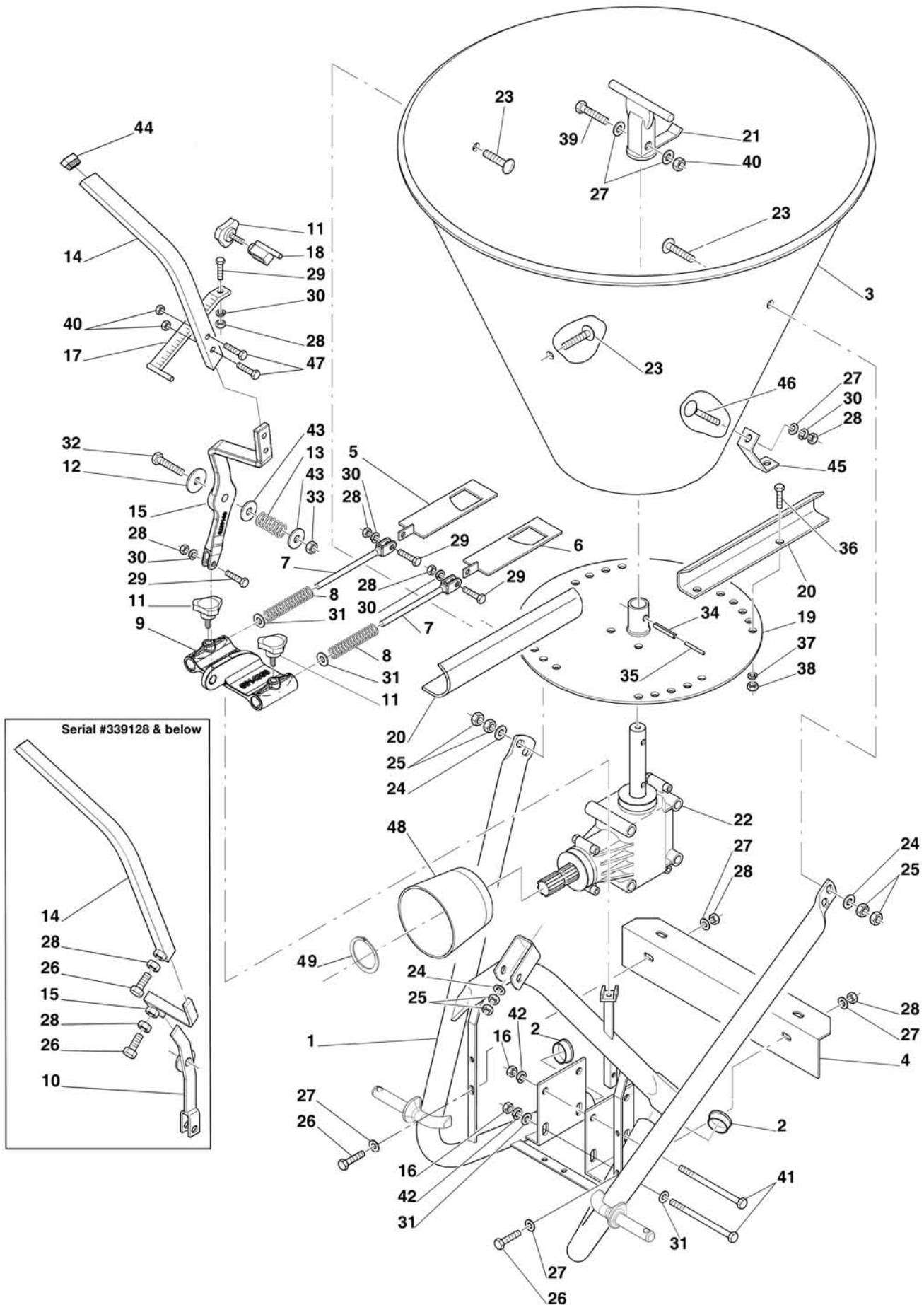
⁹ Interchangeable with frame #001-4300.

¹⁰ Interchangeable with tie rod #001-4346.

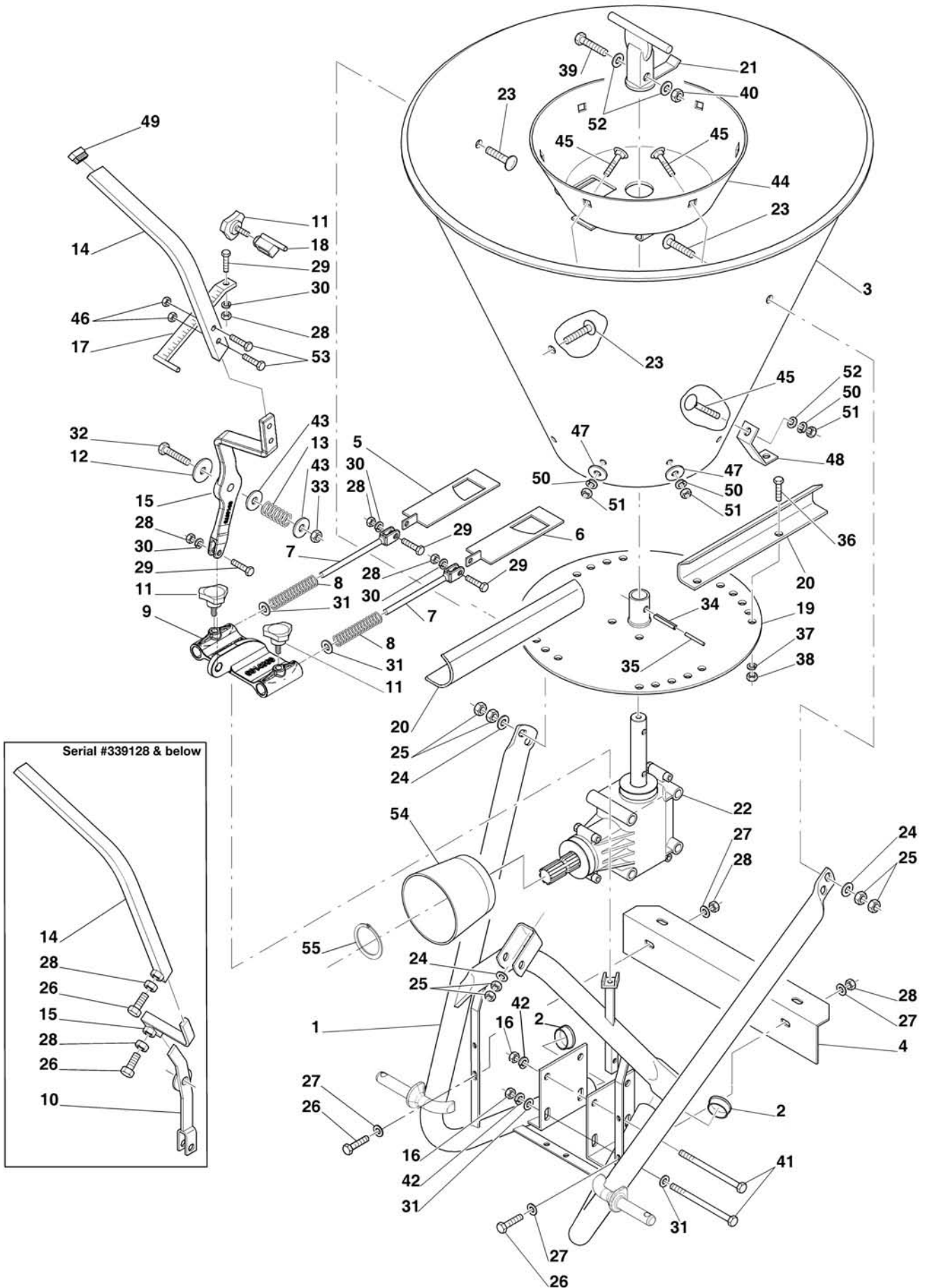
¹¹ Interchangeable with guide plate #001-4360.

¹² Replace with part #001-4366.

¹³ Interchangeable with hitch #001-4370.



Ref.	Part #	Description	Qty.
38	501-603B	Nut HH M06-1.00 C6 Z TK	8
39	001-4427	Bolt HH M08-1.25x45 C8.8 Z P	1
40	009-1384	Nut ES M08-1.25 Z TK	3
41	001-5273	Bolt HH M10-1.50x110 C8.8 Z P	4
42	000-1280	Washer lock Ø10 Z	4
43	000-2265	Washer flat Ø12 Z	2
44	001-4391	Rubber cap	1
45	001-4338	Attachment plate, steel hopper; 209-121, 212-121	1
46	008-4289	Bolt CR M08-1.25x20 C4.6 Z	1
47	009-1446	Bolt HH M08-1.25x25 C8.8 Z F	2
48	001-8531	Guard	1
49	001-4464	Snap ring, outer Ø65	1



Serial #339128 & below

- 14
- 28
- 26
- 15
- 28
- 26
- 10

Ref.	Part #	Description	Qty.
1	502-011B	Frame; 209, 212 #339128 & below ¹⁴	1
	001-4300	Frame; 209, 212 #339129 & above	1
2	502-020B	Rubber cap Ø60	2
3	011-4326	Hopper polyethylene; 209-221, 209-421	1
	021-4326	Hopper polyethylene; 212-421	1
4	502-013B	Protection	1
5	011-4340	Shutter stainless steel, right	1
6	021-4340	Shutter stainless steel, left	1
7	502-004B	Tie rod; #339128 & below ¹⁵	2
	001-4346	Tie rod; #339129 & above	2
8	502-024B	Tension spring	2
9	502-025B	Guide plate, shutter; #339128 & below ¹⁶	1
	001-4360	Guide plate, shutter; #339129 & above	1
10	502-002B	Bracket, shutter adjustment lever; #339128 & below ¹⁷	1
11	501-589B	Adjustment knob M08x16	3
12	501-585B	Washer flat nylon Ø12	1
13	501-586B	Spring	1
14	001-4380	Lever, shutter adjustment; #339128 & below	1
	001-4375	Lever, shutter adjustment; #339129 & above	1
15	001-4384	Hitch, shutter adjustment lever; #339128 & below ¹⁸	1
	001-4370	Hitch, shutter adjustment lever; #339129 & above	1
16	009-0150	Nut HH M10-1.50 C6 Z MD	4
17	001-4396	Scaled rod	1
18	502-008B	Lever stop	1
19	501-599B	Spreader disc, steel; 209-221	1
	001-4410	Spreader disc, stainless steel; 209-421, 212-421	1
20	501-598B	Spreader wing, steel; 209-221	4
	001-4414	Spreader wing, stainless steel; 209-421, 212-421	4
21	501-597B	Stationary stirrer	1
22	001-4690	Gearbox, complete	1
23	004-4115	Bolt CR M12-1.75x40 C8.8 Z; 209-221, 209-421	3
	004-4115	Bolt CR M12-1.75x40 C8.8 Z; 212-421	5
24	009-1435	Washer flat Ø14 Z; 209-221, 209-421	3
	009-1435	Washer flat Ø14 Z; 212-421	5
25	000-1106	Nut HH M12-1.75 C6 Z MD; 209-221, 209-421	6
	000-1106	Nut HH M12-1.75 C6 Z MD; 212-421	10
26	001-5012	Bolt HH M08-1.25x20 C8.8 Z F	2
27	001-5230	Washer flat Ø8 Z	4
28	004-6545	Nut HH M08-1.25 C6 Z MD	6
29	004-6543	Bolt HH M08-1.25x30 C8.8 Z F	4
30	000-3144	Washer lock Ø8 Z	4
31	000-2034	Washer flat Ø10 Z	6
32	000-7128	Bolt HH M12-1.75x80 C8.8 Z F	1
33	001-3345	Nut ES M12-1.75 Z TK	1
34	002-9247	Roll pin Ø8x40	1

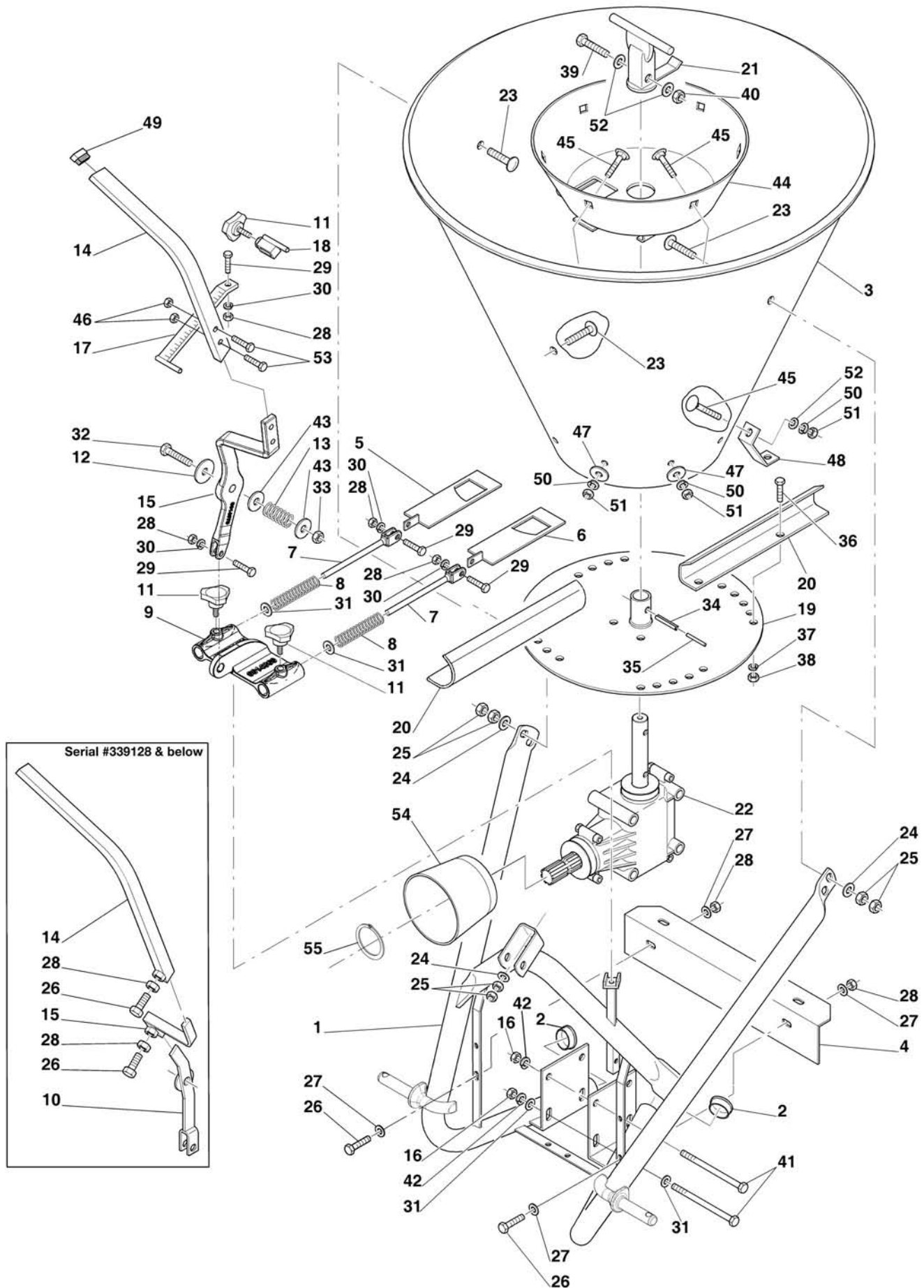
¹⁴ Interchangeable with frame #001-4300.

¹⁵ Interchangeable with tie rod #001-4346.

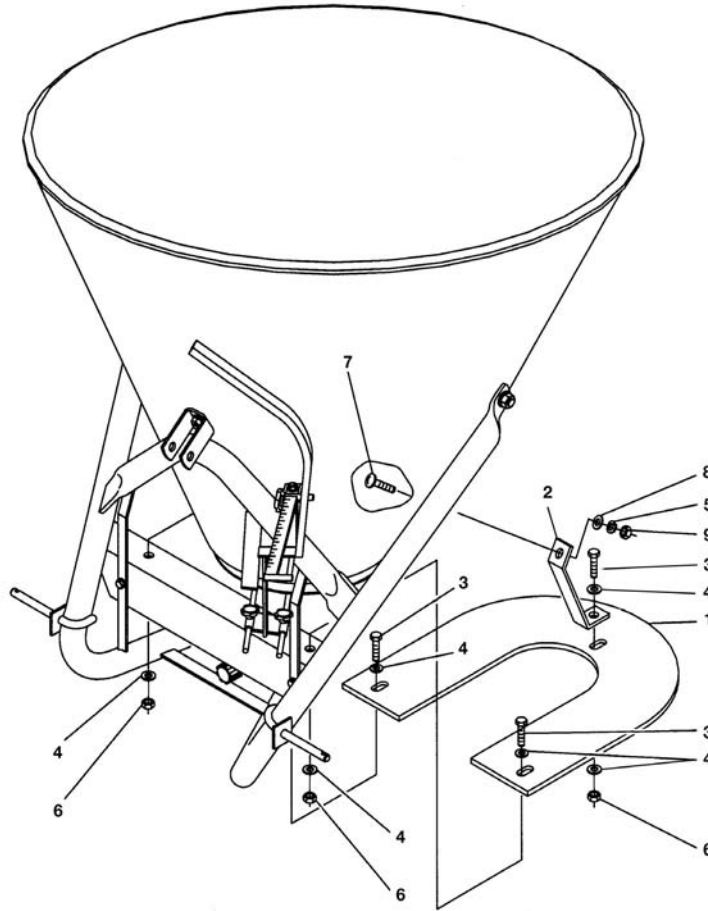
¹⁶ Interchangeable with guide plate #001-4360.

¹⁷ Replace with part #001-4366.

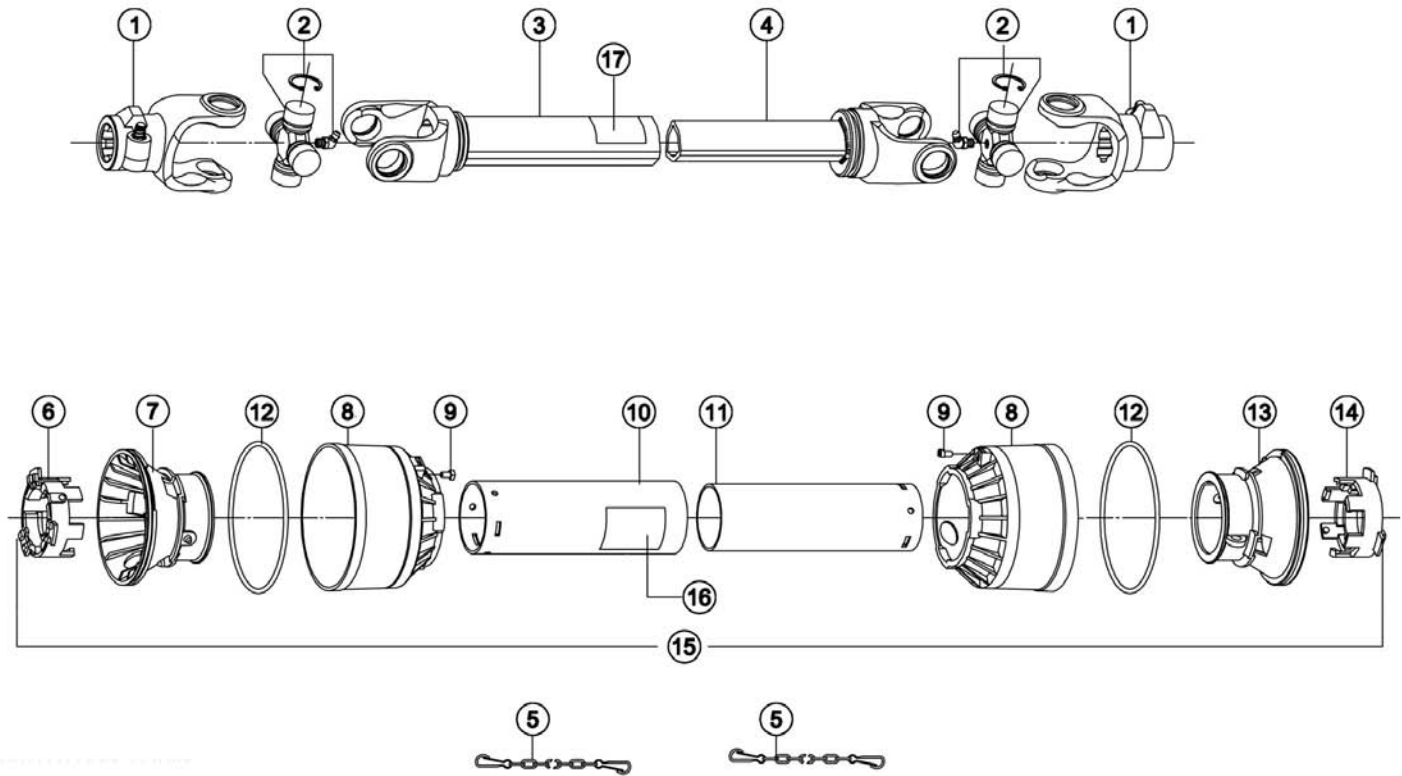
¹⁸ Interchangeable with hitch #001-4370.



Ref.	Part #	Description	Qty.
35	501-596B	Roll pin Ø5x40	1
36	003-6319	Bolt HH M06-1.00x16 C8.8 Z F; 209-221	8
	001-4320	Bolt HH M06-1.00x16 SS F; 209-421, 212-421	8
37	004-6536	Washer lock Ø6 Z; 209-221	8
	001-4321	Washer lock Ø06 SS; 209-421, 212-421	8
38	501-603B	Nut HH M06-1.00 C6 Z TK; 209-221	8
	001-4322	Nut HH M06-1.00 SS TK; 209-421, 212-421	8
39	001-4334	Bolt HH M08-1.25x45 SS P	1
40	001-4335	Nut ES M08-1.25 SS TK	1
41	001-5273	Bolt HH M10-1.50x110 C8.8 Z P	4
42	000-1280	Washer lock Ø10 Z	4
43	000-2265	Washer flat Ø12 Z	2
44	001-4327	Hopper bottom plate, stainless steel	1
45	001-4315	Bolt CR M08-1.25x25 SS	6
46	009-1384	Nut ES M08-1.25 Z TK	2
47	001-4316	Washer fender Ø8 SS	5
48	001-4339	Attachment plate, poly hopper	1
49	001-4391	Rubber cap	1
50	001-4317	Washer lock Ø08 SS	6
51	001-4318	Nut HH M08-1.25 SS MD	6
52	001-4319	Washer flat Ø08 SS	3
53	009-1446	Bolt HH M08-1.25x25 C8.8 Z F	2
54	001-8531	Guard	1
55	001-4464	Snap ring, outer Ø65	1



Ref.	Part #	Description	Qty.
1	001-4337	Protection	1
2	001-4338	Attachment plate, steel hopper; 209-121, 212-121	1
	001-4339	Attachment plate, poly hopper; 209-221, 209-421, 212-421	1
3	004-6454	Bolt HH M08-1.25x16 C8.8 Z F	3
4	001-5230	Washer flat Ø8 Z	6
5	000-3144	Washer lock Ø8 Z; 209-121, 212-121	1
	001-4317	Washer lock Ø08 SS; 209-221, 209-421, 212-421	1
6	004-6545	Nut HH M08-1.25 C6 Z MD	3
7	008-4289	Bolt CR M08-1.25x20 C4.6 Z; 209-121, 212-121	1
	001-4315	Bolt CR M08-1.25x25 SS; 209-221, 209-421, 212-421	1
8	001-5230	Washer flat Ø8 Z; 209-121, 212-121	1
	001-4319	Washer flat Ø08 SS; 209-221, 209-421, 212-421	1
9	004-6545	Nut HH M08-1.25 C6 Z MD; 209-121, 212-121	1
	001-4318	Nut HH M08-1.25 SS MD; 209-221, 209-421, 212-421	1

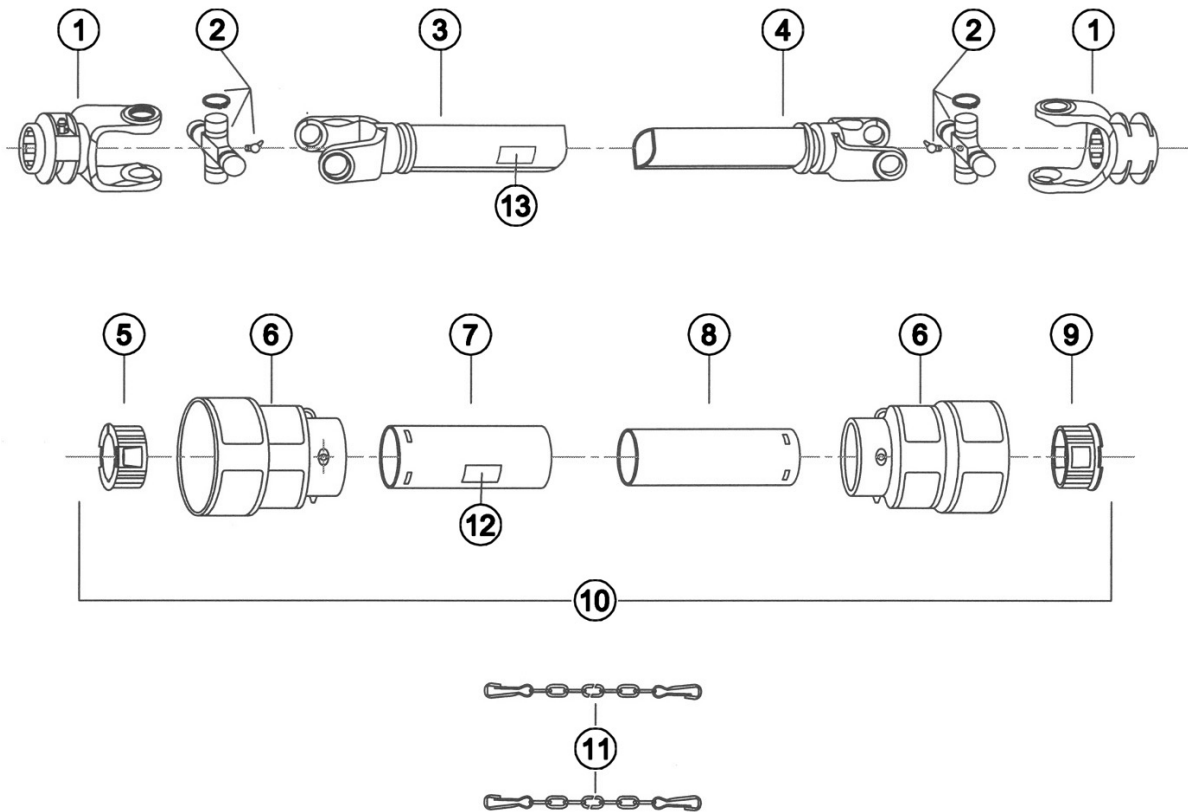


Ref.	Part #	Description	Qty.
1	1021010C	PTO yoke	2
2	1001005C	Cross & bearing	2
3	1981034NC	Outer tube w/yoke; #339128 & below	1
4	1991035NC	Inner tube w/yoke; #339128 & below	1
5	1006065C	Chain, anti-rotation	2
6	1781210C	Locking ring, outer tube; #265829 & below	1
7	1784201C	Rigid cone, outer tube; #265829 & below	1
8	1784203C	Standard cone; #265829 & below	2
9	1784212C	Pin; #265829 & below	2
10	1773032C	Shield, outer tube; #265829 & below	1
11	1872032C	Shield, inner tube; #265829 & below	1
12	1213233C	Stiffening ring; #265829 & below	2
13	1784202C	Rigid cone, inner tube; #265829 & below	1
14	1781211C	Locking ring, inner tube; #265829 & below	1
15	90SS1032C	Shield, complete ¹⁹	1
16	950-463B	Decal "DANGER - Rotating driveline, keep away" outer shield	1
17	950-464B	Decal "DANGER - Guard missing, do not operate" outer tube	1
	050-0474	Driveline, complete ²⁰	-

¹⁹ Complete shielding is no longer available, replace with part #90SS1032CA.

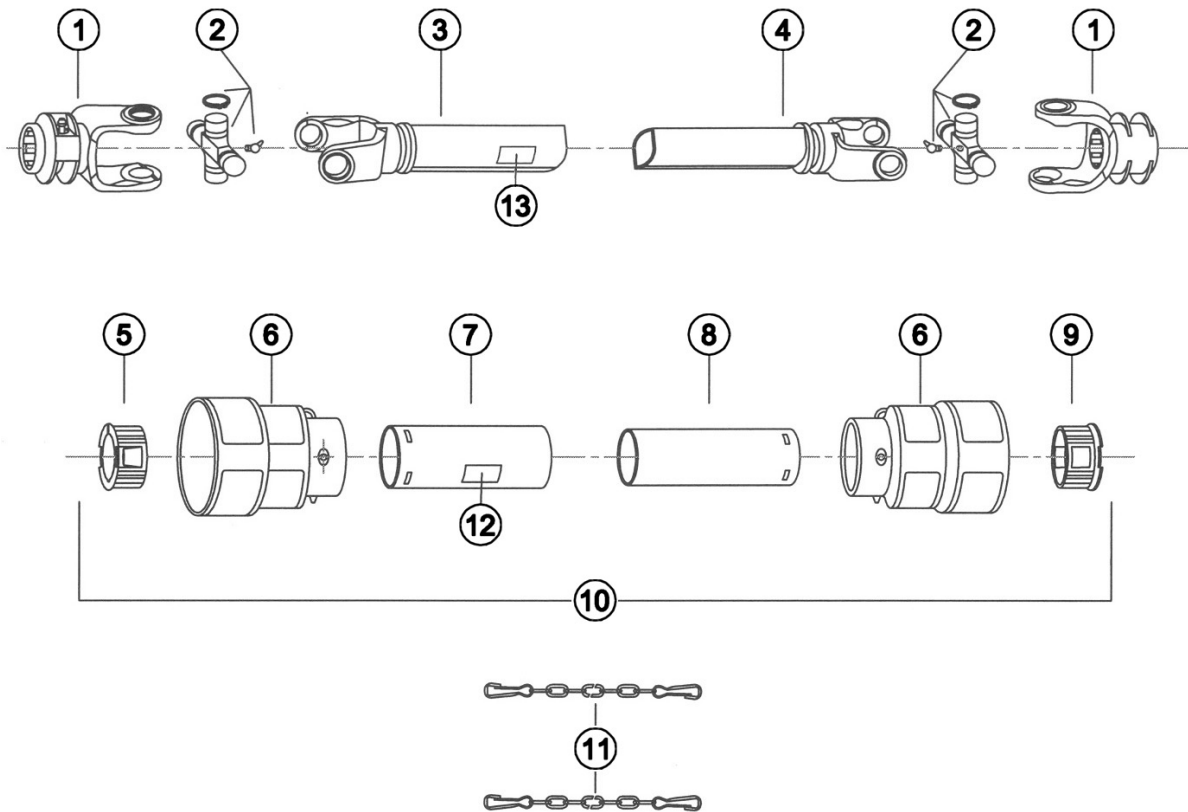
²⁰ Complete driveline is no longer available, replace with part #050-0487.

203, 206, 209, 212 - FROM SERIAL #265830 TO SERIAL #339128



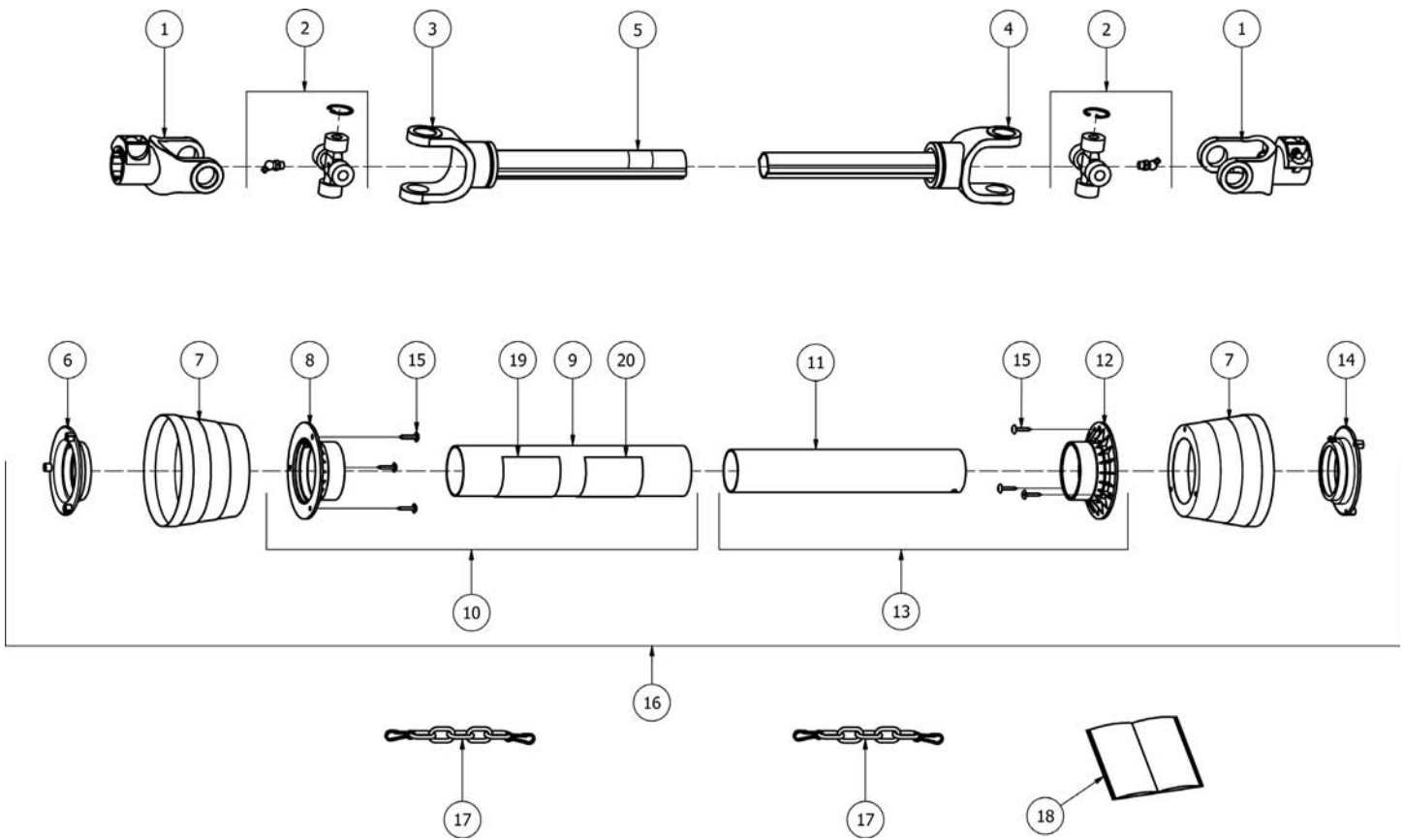
Ref.	Part #	Description	Qty.
1	1021010C	PTO yoke	2
2	1001005C	Cross & bearing	2
3	1981034NC	Outer tube w/yoke; #339128 & below	1
4	1991035NC	Inner tube w/yoke; #339128 & below	1
5	1781210CA	Locking ring, outer tube; from #265830 to #339128	1
6	1784203CA	Cone, outer tube; from #265830 to #339128	2
7	1773032CA	Shield, outer tube; from #265830 to #339128	1
8	1872032CA	Shield, inner tube; from #265830 to #339128	1
9	1781211CA	Locking ring, inner tube; from #265830 to #339128	1
10	90SS1032CA	Shield, complete	1
11	1006065C	Chain, anti-rotation	2
12	950-463B	Decal "DANGER - Rotating driveline, keep away" outer shield	1
13	950-464B	Decal "DANGER - Guard missing, do not operate" outer tube	1
	050-0487	Driveline, complete ²¹	-

²¹ Complete driveline is no longer available, replace with part #050-0121.

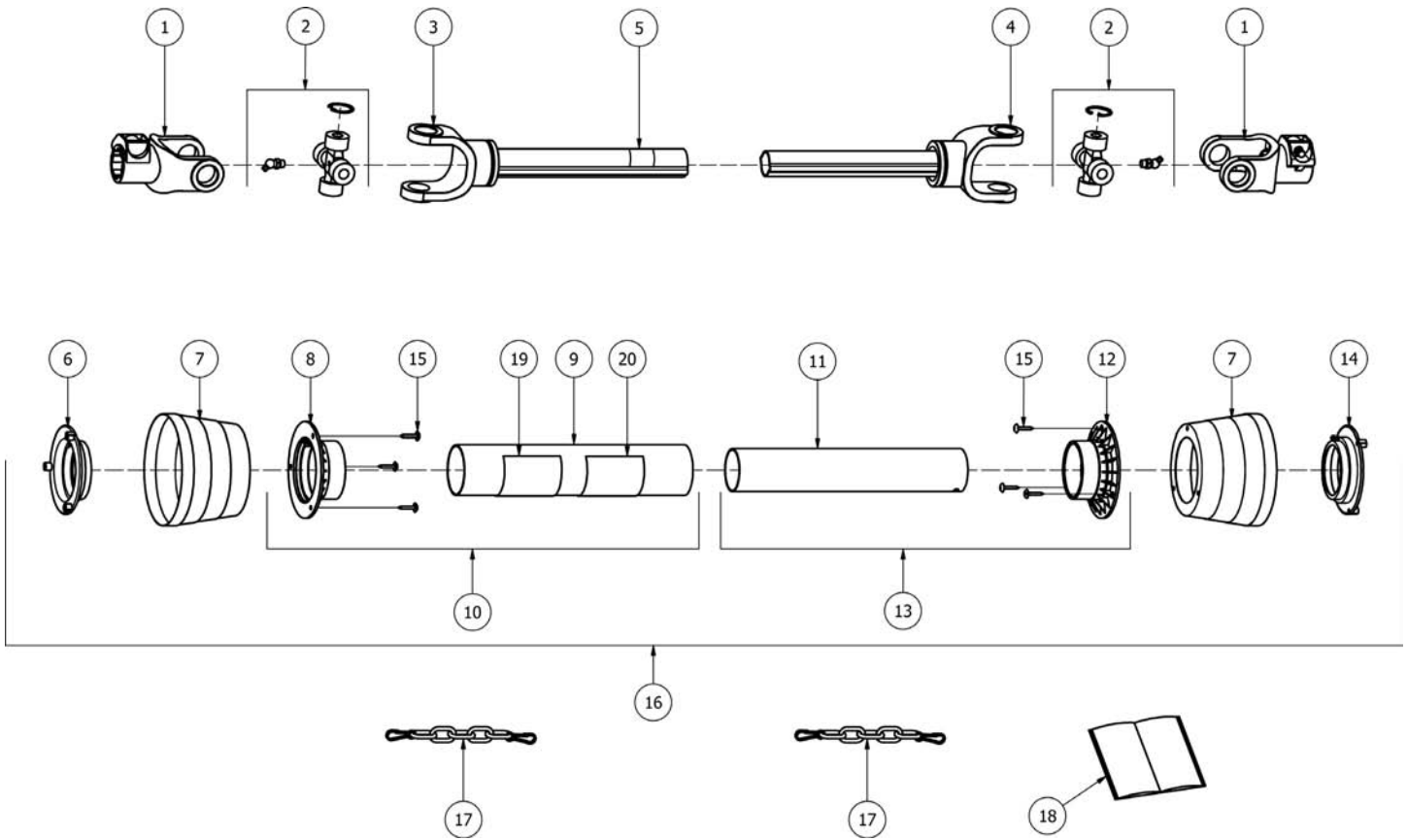


Ref.	Part #	Description	Qty.
1	1021010C	PTO yoke	2
2	1001005C	Cross & bearing	2
3	001-4444	Outer tube w/yoke; #339128 & below	1
4	001-4445	Inner tube w/yoke; #339128 & below	1
5	1781210CA	Locking ring, outer tube; from #265830 to #339128	1
6	1784203CA	Cone, outer tube; from #265830 to #339128	2
7	001-4446	Shield, outer tube; from #265830 to #339128	1
8	001-4447	Shield, inner tube; from #265830 to #339128	1
9	1781211CA	Locking ring, inner tube; from #265830 to #339128	1
10	001-4448	Shield, complete	1
11	1006065C	Chain, anti-rotation	2
12	950-463B	Decal "DANGER - Rotating driveline, keep away" outer shield	1
13	950-464B	Decal "DANGER - Guard missing, do not operate" outer tube	1
	050-0484	Driveline, complete ²²	-

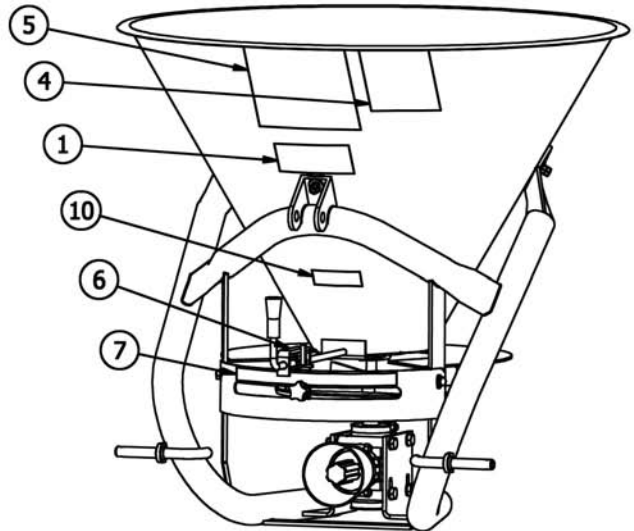
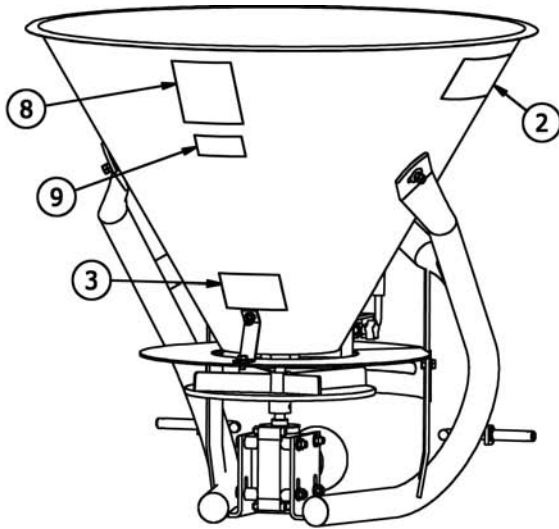
²² Complete driveline is no longer available, replace with part #050-0122.



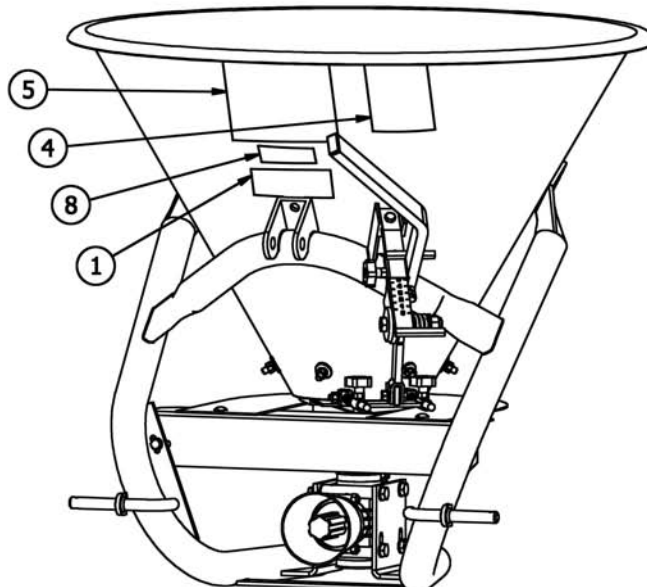
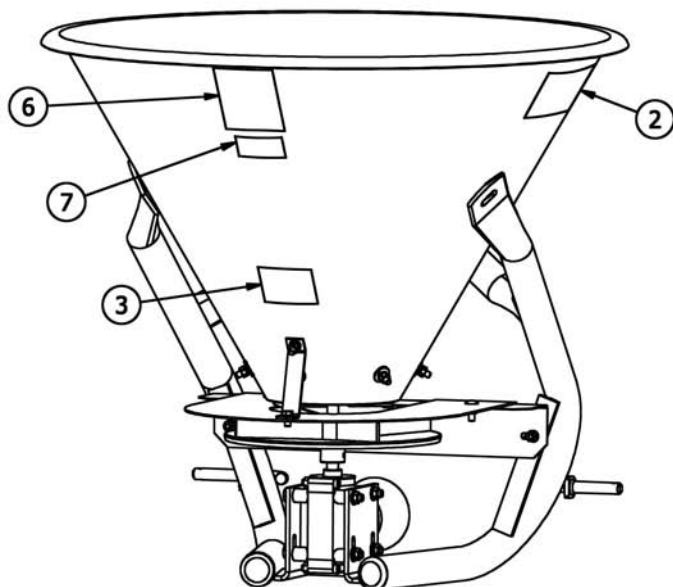
Ref.	Part #	Description	Qty.
1	0800103AB	PTO yoke	2
2	08201CB	Cross w/bearing	2
3	15010522B	Outer tube w/yoke; #339129 & above	1
4	15010521B	Inner tube w/yoke; #339129 & above	1
5	950-464B	Decal "DANGER - Guard missing, do not operate", outer tube	1
6	5501C001B	Locking ring, outer tube; #339129 & above	1
7	1902C001B	Standard cone; #339129 & above	2
8	5402C001B	Rigid cone, outer tube; #339129 & above	1
9	961NL052B	Shield, outer tube; #339129 & above	1
10	4L010522B	Shield, outer tube w/cone; #339129 & above	1
11	955NL052B	Shield, inner tube; #339129 & above	1
12	5402C002B	Rigid cone, inner tube; #339129 & above	1
13	4L010521B	Shield, inner tube w/cone; #339129 & above	1
14	5501C002B	Locking ring, inner tube; #339129 & above	1
15	98052242B	Self tapping screw PN M4.8x22 Z; #339129 & above	6
16	3CE01052B	Shield, complete	1
17	52000001B	Chain, anti-rotation	2
18	09872101B	Operator's manual, driveline	1
19	098721010B	Decal "rotating driveline" pictorial - ISO standard, outer shield	1
20	950-463B	Decal "DANGER - Rotating driveline, keep away", outer shield	1
	050-0121	Driveline, complete	-



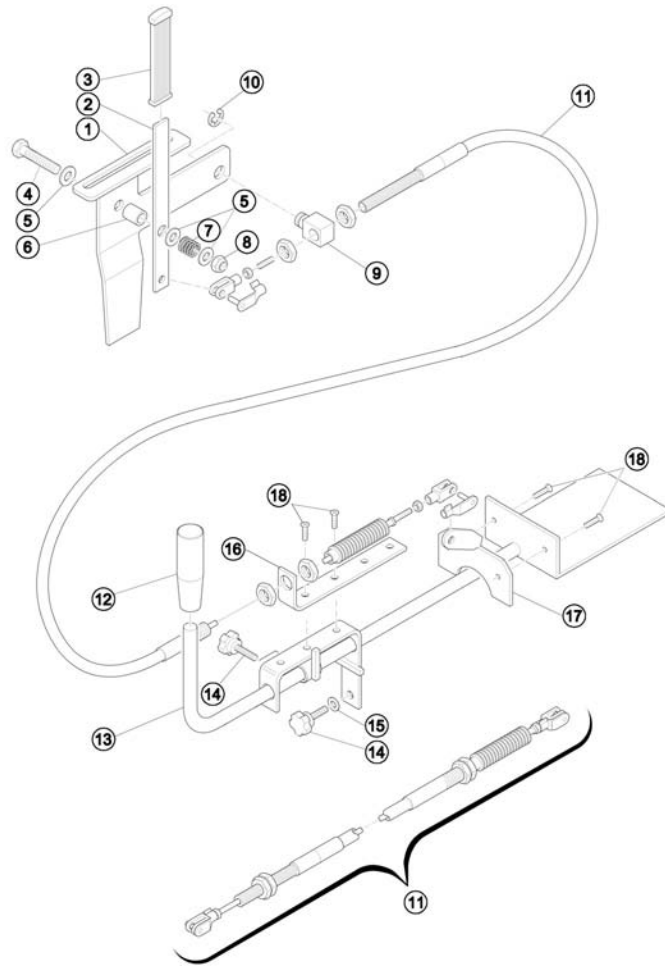
Ref.	Part #	Description	Qty.
1	0800103AB	PTO yoke	2
2	08201CB	Cross w/bearing	2
3	15010632B	Outer tube w/yoke; #339129 & above	1
4	15010631B	Inner tube w/yoke; #339129 & above	1
5	950-464B	Decal "DANGER - Guard missing, do not operate", outer tube	1
6	5501C001B	Locking ring, outer tube; #339129 & above	1
7	1902C001B	Standard cone; #339129 & above	2
8	5402C001B	Rigid cone, outer tube; #339129 & above	1
9	961NL063B	Shield, outer tube; #339129 & above	1
10	4L010632B	Shield, outer tube w/cone; #339129 & above	1
11	955NL063B	Shield, inner tube; #339129 & above	1
12	5402C002B	Rigid cone, inner tube; #339129 & above	1
13	4L010631B	Shield, inner tube w/cone; #339129 & above	1
14	5501C002B	Locking ring, inner tube; #339129 & above	1
15	98052242B	Self tapping screw PN M4.8x22 Z; #339129 & above	6
16	3CE01063B	Shield, complete	1
17	52000001B	Chain, anti-rotation	2
18	09872101B	Operator's manual, driveline	1
19	098721010B	Decal "rotating driveline" pictorial - ISO standard, outer shield	1
20	950-463B	Decal "DANGER - Rotating driveline, keep away", outer shield	1
	050-0122	Driveline, complete	-



Ref.	Part #	Description	Qty.
1	950-109B	Decal "DANGER - Avoid injury from PTO"	1
2	950-338B	Decal "WARNING - Toxic chemical hazard"	1
3	950-339B	Decal "WARNING - Thrown objects, moving parts hazard"	1
4	950-417B	Decal "CAUTION - To avoid serious injury"	1
5	950-942B	Decal "spreading chart"; 203	1
6	950-440B	Decal selector "1-10" short; 203	1
7	950-439B	Decal selector "1-10" long; 203	1
8	950-104B	Decal "B" logo	1
9	950-377B	Decal "203"	1
10	---	Decal, serial number	1
	960-116B	Operator's Manual Hop fertilizer spreaders 203, 206, 209, 212	1
	961-116B	Parts Manual Hop fertilizer spreaders 203, 206, 209, 212	1



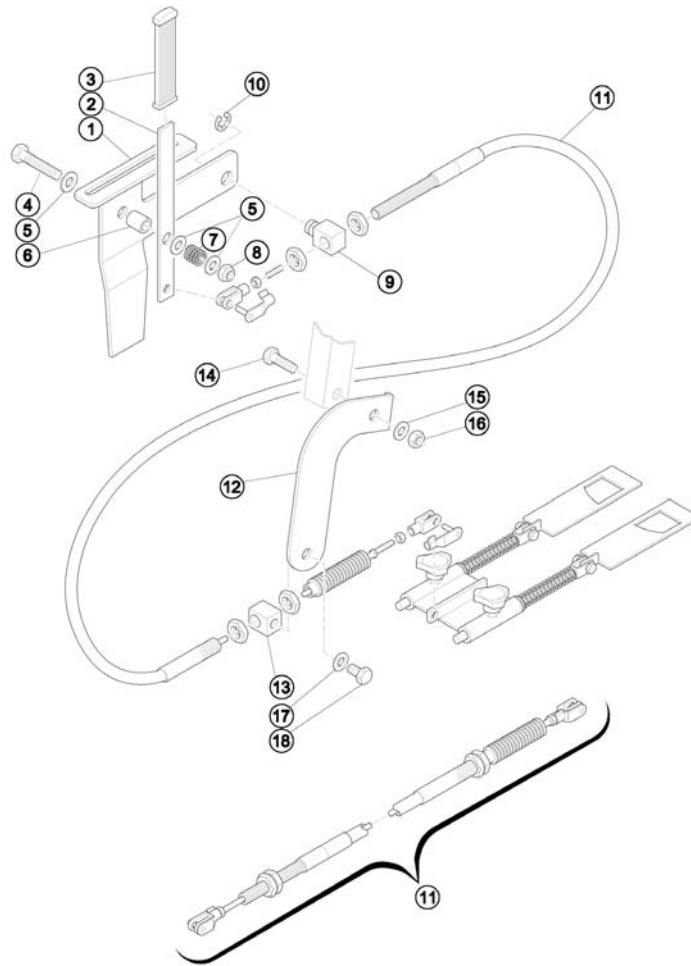
Ref.	Part #	Description	Qty.
1	950-109B	Decal "DANGER - Avoid injury from PTO"	1
2	950-338B	Decal "WARNING - Toxic chemical hazard"	1
3	950-339B	Decal "WARNING - Thrown objects, moving parts hazard"	1
4	950-417B	Decal "CAUTION - To avoid serious injury"	1
5	950-369B	Decal "spreading chart"; 206, 209, 212	1
6	950-104B	Decal "B" logo	1
7	950-441B	Decal "206"	1
	950-373B	Decal "209"	1
	950-374B	Decal "212"	1
8	---	Decal, serial number	1
	960-116B	Operator's Manual Hop fertilizer spreaders 203, 206, 209, 212	1
	961-116B	Parts Manual Hop fertilizer spreaders 203, 206, 209, 212	1



Ref.	Part #	Description	Qty.
1	001-4981	Support plate, remote gate control	1
2	001-4982	Lever, remote gate control	1
3	001-4983	Handle, flat grooved	1
4	001-4477	Bolt HH M10-1.50x60 C8.8 Z P	1
5	000-2034	Washer flat Ø10 W	3
6	001-4988	Spacer	1
7	001-4989	Spring	1
8	001-5237	Nut ES M10-1.50 Z TN	1
9	001-4990	Cable support	1
10	001-4991	Snap ring, outer Ø10	1
11	001-4992	Cable; until 08-2008 ²³	1
	001-4997	Cable; since 09-2008 ²⁴	1
12	501-639B	Adjustment knob	1
13	001-4999	Flow control assembly	1
14	501-631B	Adjustment knob M6x16	2
15	001-1209	Washer fender Ø6 Z	1
16	001-4993	Cable support plate	1
17	001-4994	Cable hitch plate	1
18	001-4998	Bolt CS M04-0.70x10 C8.8 Z F	4
	009-9856	Remote gate control, complete; 203	-

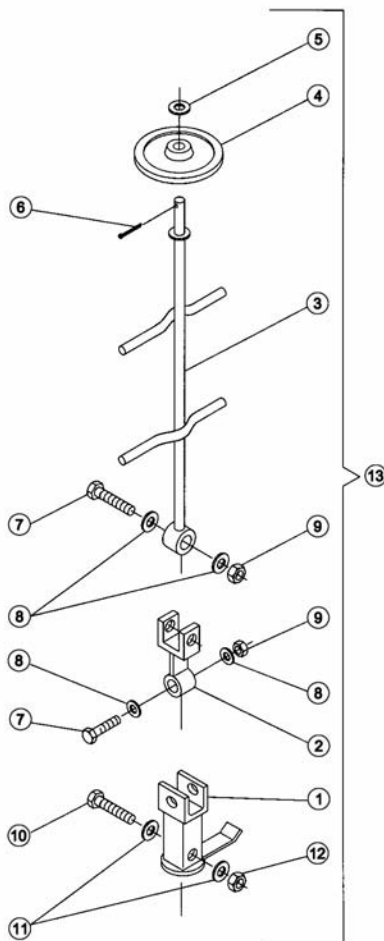
²³ Part #001-4992 no longer available, customer should replace entire accessory.

²⁴ If the cable on your remote gate control is held with M10 nuts you will need to order both the cable (#001-4997) and the support plate (#001-4993) when replacing cable. Since 01-2016 cables provided with the remote gate control have a larger diameter and will not go through the hole on the support plate.

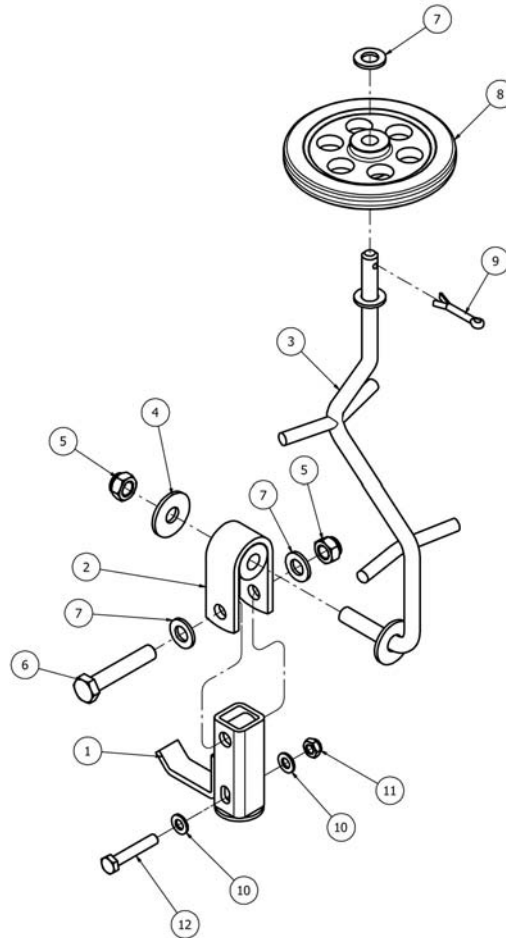


Ref.	Part #	Description	Qty.
1	011-4981	Support plate, remote gate control; until 08-2008	1
	001-4981	Support plate, remote gate control; since 09-2008	1
2	001-4982	Lever, remote gate control	1
3	001-4983	Handle, flat grooved	1
4	001-4477	Bolt HH M10-1.50x60 C8.8 Z P	1
5	000-2034	Washer flat Ø10 W	3
6	001-4988	Spacer	1
7	001-4989	Spring	1
8	001-5237	Nut ES M10-1.50 Z TN	1
9	001-4990	Cable support	1
10	001-4991	Snap ring, outer Ø10	1
11	001-4992	Cable; until 08-2008 ²⁵	1
	001-4997	Cable; since 09-2008	1
12	001-4590	Bracket, cable support	1
13	001-4594	Cable support	1
14	001-5255	Bolt HH M12-1.75x30 C8.8 Z F	1
15	000-2265	Washer flat Ø12 W	1
16	001-3345	Nut ES M12-1.75 Z TK	1
17	000-3144	Washer lock Ø8 Z	1
18	004-6454	Bolt HH M08-1.25x16 C8.8 Z F	1
	009-9850	Remote gate control, complete; 206, 209, 212	-

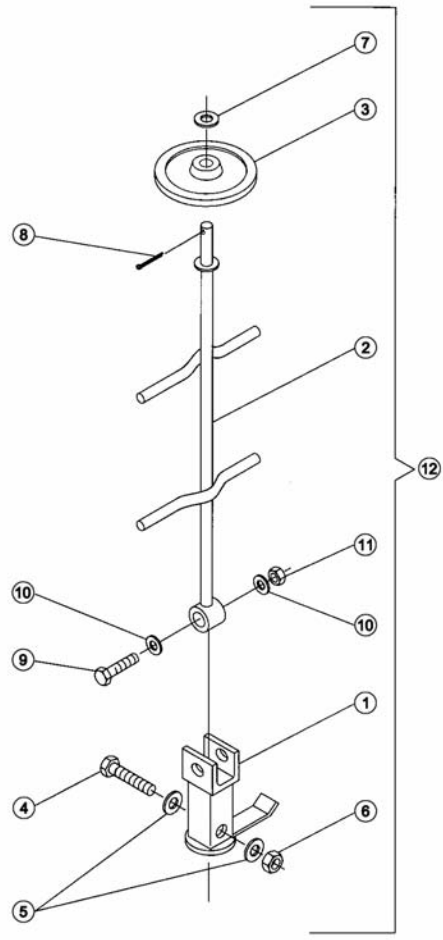
²⁵ Part #001-4992 no longer available, customer should replace entire accessory.



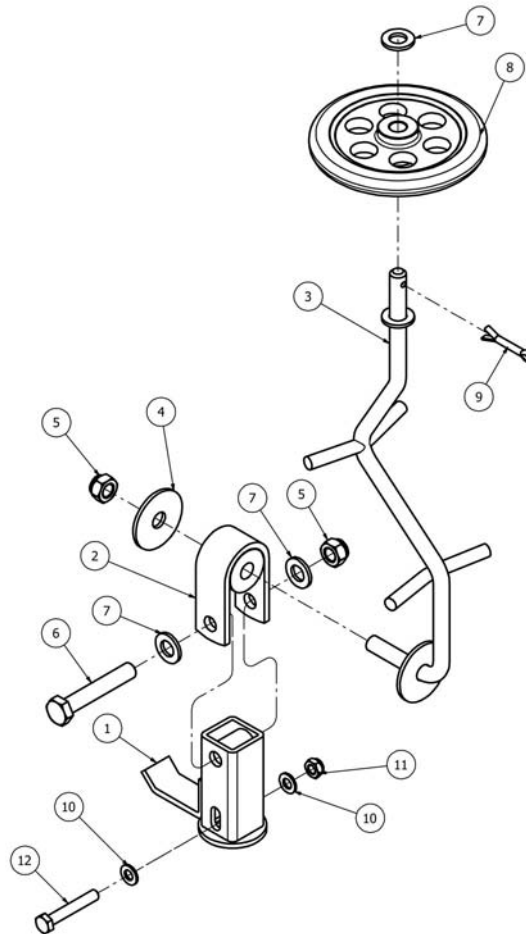
Ref.	Part #	Description	Qty.
1	001-4721	Stirrer, tumbling agitator	1
2	001-4730	Hitch, tumbling agitator	1
3	001-4735	Beam, tumbling agitator	1
4	502-005B	Wheel, tumbling agitator	1
5	000-2265	Washer flat Ø12 W	1
6	000-1174	Cotter pin Ø4x35 Z	1
7	001-4477	Bolt HH M10-1.50x60 C8.8 Z P	2
8	000-2034	Washer flat Ø10 W	4
9	001-4106	Nut ES M10-1.50 Z TK	2
10	001-4427	Bolt HH M08-1.25x45 C8.8 Z P	1
11	001-5230	Washer flat Ø8 W	2
12	009-1384	Nut ES M08-1.25 Z TK	1
13	AA2-120	Agitator extension, complete; 203 (until 02/2011)	-



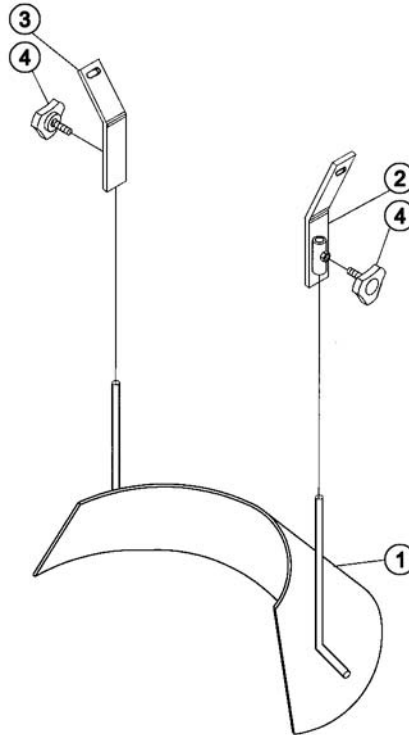
Ref.	Part #	Description	Qty.
1	001-4742	Stirrer, tumbling agitator	1
2	001-4739	Hitch, tumbling agitator	1
3	001-4744	Beam, tumbling agitator	1
4	007-6106	Washer fender Ø12 Z	1
5	003-0064	Nut PT M12-1.75 C6 TK Z	2
6	003-4265	Bolt HH M12-1.75x65 C8.8 Z P	1
7	000-2265	Washer flat Ø12 W	3
8	001-4488	Wheel, tumbling agitator	1
9	000-1174	Cotter pin Ø4x35 Z	1
10	001-5230	Washer flat Ø08 W	2
11	009-1384	Nut ES M08-1.25 Z TK	1
12	001-4427	Bolt HH M08-1.25x45 C8.8 Z P	1
	009-9979	Tumbling agitator, complete; 203 (since 03/2011)	-



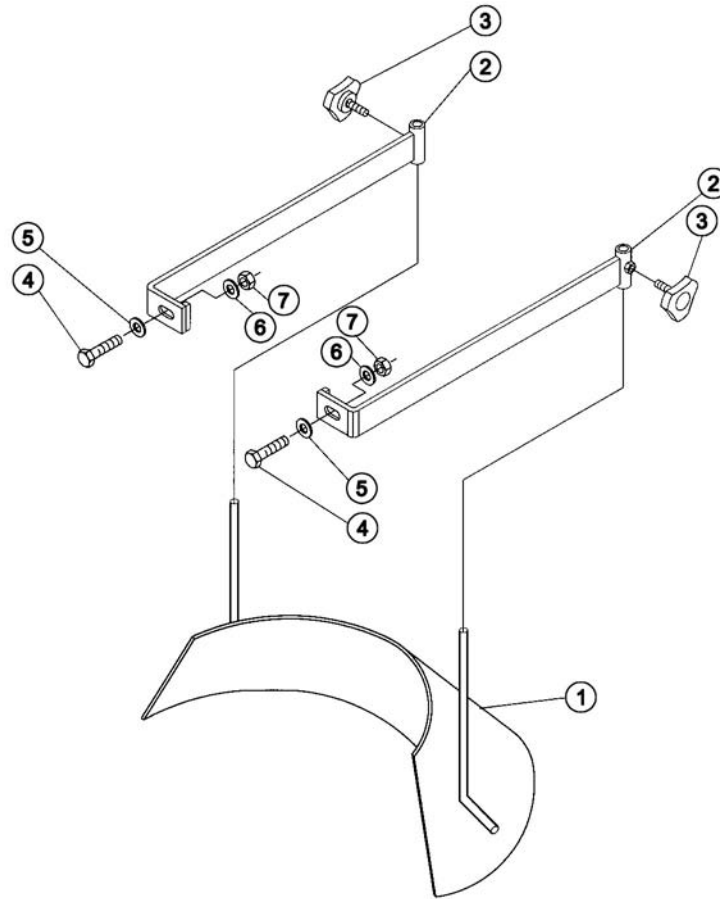
Ref.	Part #	Description	Qty.
1	502-019B	Stirrer, tumbling agitator	1
2	502-007B	Beam, tumbling agitator	1
3	502-005B	Wheel, tumbling agitator	1
4	001-4490	Bolt HH M08-1.25x50 C8.8 Z P	1
5	001-5230	Washer flat Ø8 W	2
6	009-1384	Nut ES M08-1.25 Z TK	1
7	000-2265	Washer flat Ø12 W	1
8	000-1174	Cotter pin Ø4x35 Z	1
9	001-4477	Bolt HH M10-1.50x60 C8.8 Z P	1
10	000-2034	Washer flat Ø10 W	2
11	001-4106	Nut ES M10-1.50 Z TK	1
12	AA3-120	Tumbling agitator, complete; 206, 209, 212 (until 02/2011)	-



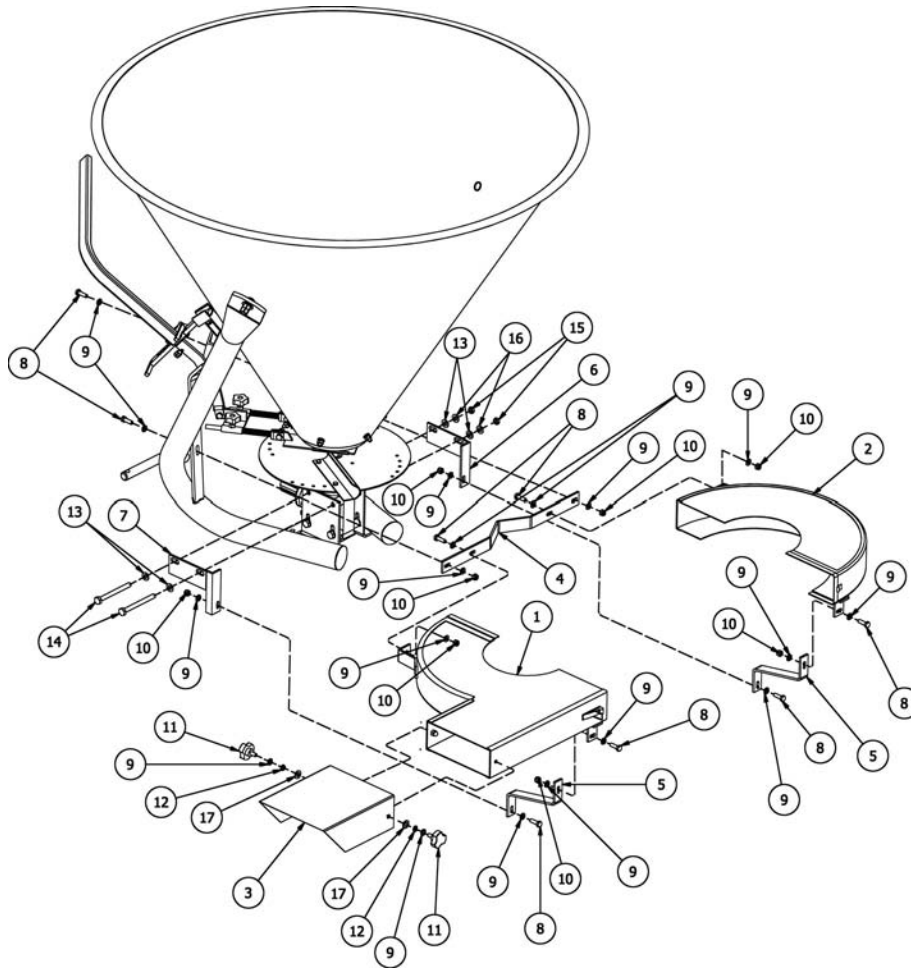
Ref.	Part #	Description	Qty.
1	001-4485	Stirrer, tumbling agitator	1
2	001-4478	Hitch, tumbling agitator	1
3	001-4470	Beam, tumbling agitator	1
4	005-7273	Washer fender Ø12 Z	1
5	003-0064	Nut PT M12-1.75 C6 TK Z	2
6	019-2236	Bolt HH M12-1.75x70 C8.8 Z P	1
7	000-2265	Washer flat Ø12 W	3
8	001-4488	Wheel, tumbling agitator	1
9	000-1174	Cotter pin Ø4x35 Z	1
10	001-5230	Washer flat Ø08 W	2
11	009-1384	Nut ES M08-1.25 Z TK	1
12	001-4490	Bolt HH M08-1.25x50 C8.8 Z P	1
	009-9978	Tumbling agitator, complete; 206, 209, 212 (since 03/2011)	-



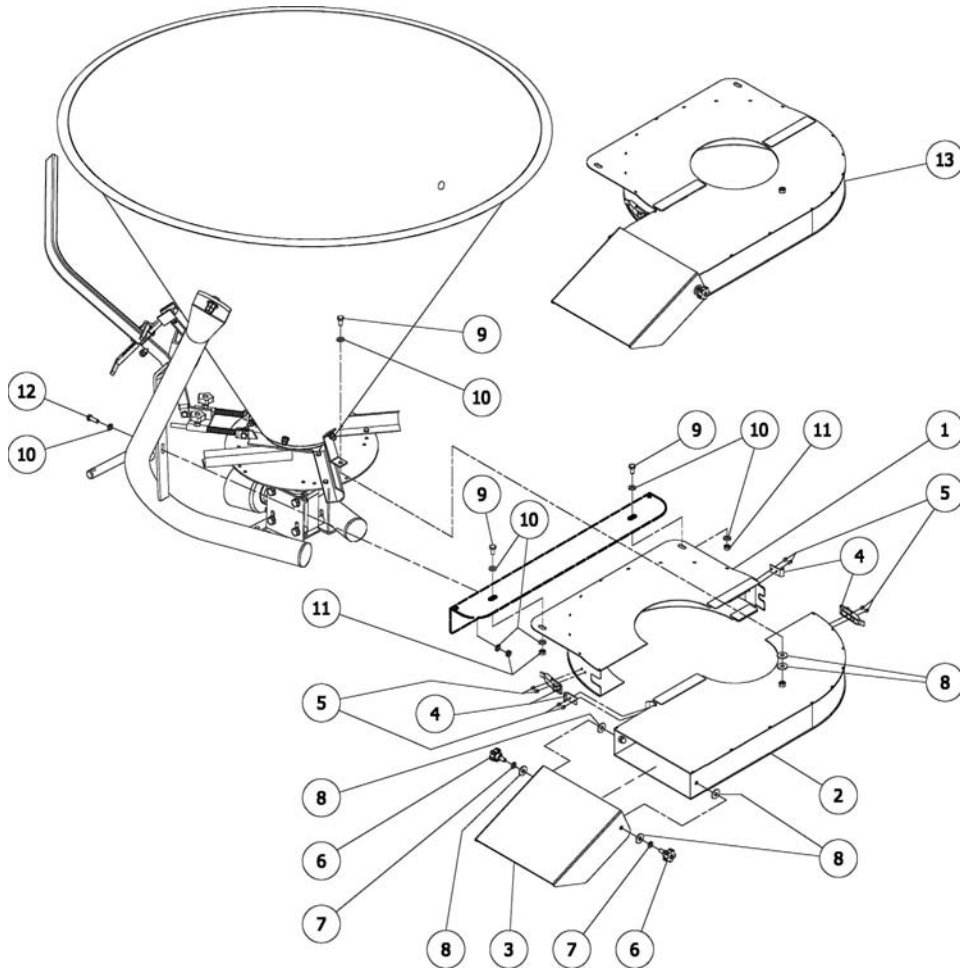
Ref.	Part #	Description	Qty.
1	501-653B	Deflector shield	1
2	021-4680	Deflector connection, left	1
3	011-4680	Deflector connection, right	1
4	501-631B	Adjustment knob M06x16	2
	009-9524	Deflector, complete; 203, 206	-



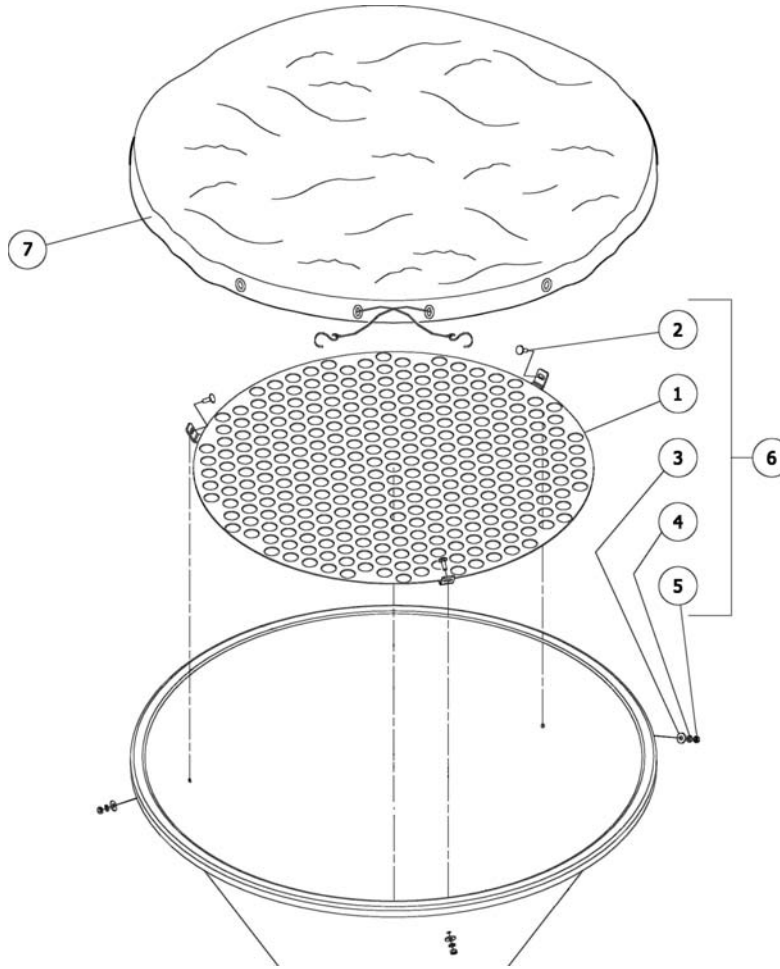
Ref.	Part #	Description	Qty.
1	001-4501	Deflector shield	1
2	001-4505	Deflector connection	2
3	501-589B	Adjustment knob M08x16	2
4	004-6543	Bolt HH M08-1.25x30 C8.8 Z F	2
5	001-4514	Washer fender Ø8 Z	2
6	001-5230	Washer flat Ø8 W	2
7	009-1384	Nut ES M08-1.25 Z TK	2
	009-9638	Deflector, complete; 209, 212	-



Ref.	Part #	Description	Qty.
1	503-701B	Half conveyor, left	1
2	503-702B	Half conveyor, right	1
3	503-703B	Baffle plate, conveyor	1
4	503-704B	Conveyor attachment plate	1
5	503-705B	Conveyor bracket	2
6	503-706B	Bracket attachment plate, right	1
7	503-707B	Bracket attachment plate, left	1
8	009-1446	Bolt HH M08-1.25x25 C8.8 Z F	8
9	001-5230	Washer flat Ø8 W	18
10	009-1384	Nut ES M08-1.25 Z TK	8
11	501-589B	Adjustment knob M08x16	2
12	000-3144	Washer lock Ø8 Z	2
13	000-2034	Washer flat Ø10 Z	4
14	001-5263	Bolt HH M10-1.50x120 C8.8 Z P	2
15	009-0150	Nut HH M10-1.50 C6 Z MD	2
16	000-1280	Washer lock Ø10 Z	2
17	001-4514	Washer fender Ø08 Z	2
	AA4-120	Siderow discharge, complete; 209, 212 (until 06/2017)	-



Ref.	Part #	Description	Qty.
1	001-4530	Half conveyor, front	1
2	001-4540	Half conveyor, rear	1
3	001-4550	Baffle plate, conveyor	1
4	001-4531	Latch, conveyor	2
5	001-4553	Rivet Ø4x10 SS	8
6	501-589B	Adjustment knob M08x16	2
7	000-3144	Washer lock Ø08 Z	2
8	001-4514	Washer fender Ø08 Z	6
9	004-6454	Bolt HH M08-1.25x16 C8.8 Z F (not included with accessory)	3
10	001-5230	Washer flat Ø08 Z (not included with accessory)	9
11	004-6545	Nut HH M08-1.25 C6 Z MD (not included with accessory)	4
12	001-5012	Bolt HH M08-1.25x20 C8.8 Z F (not included with accessory)	2
13	009-9458	Siderow discharge, complete; 209, 212 (since 07/2017)	-



Ref.	Part #	Description	Qty.
1	001-4430	Filter grate; 209, 212	1
2	501-663B	Bolt CR M08-1.25x25 C4.6 Z	3
3	001-4514	Washer fender Ø08 Z	3
4	000-3144	Washer lock Ø08 Z	3
5	004-6545	Nut HH M08-1.25 C6 Z MD	3
6	009-9913	Filter grate, complete; 209, 212	-
7	009-9720	Hopper cover, complete; 203-120, 220	-
	009-9721	Hopper cover, complete; 206-121, 221	-
	009-9722	Hopper cover, complete; 209-121, 221, 421, 422	-
	009-9723	Hopper cover, complete; 212-121, 421	-

Use only original spare parts

All rights reserved. It is unlawful to copy, reprint or use any of the information or details in this manual without the expressed written permission of the Company. Technical information provided in this manual is approximate, the Company reserves the right to modify or improve the models shown for technical or commercial purposes. Pictures in this manual do not necessarily show the machine as delivered.

BEFCO[®]

P.O. Box 6036
Rocky Mount, NC 27802-6036
Tel.: 252.977.9920 - Fax: 252.977.9718
www.befco.com

