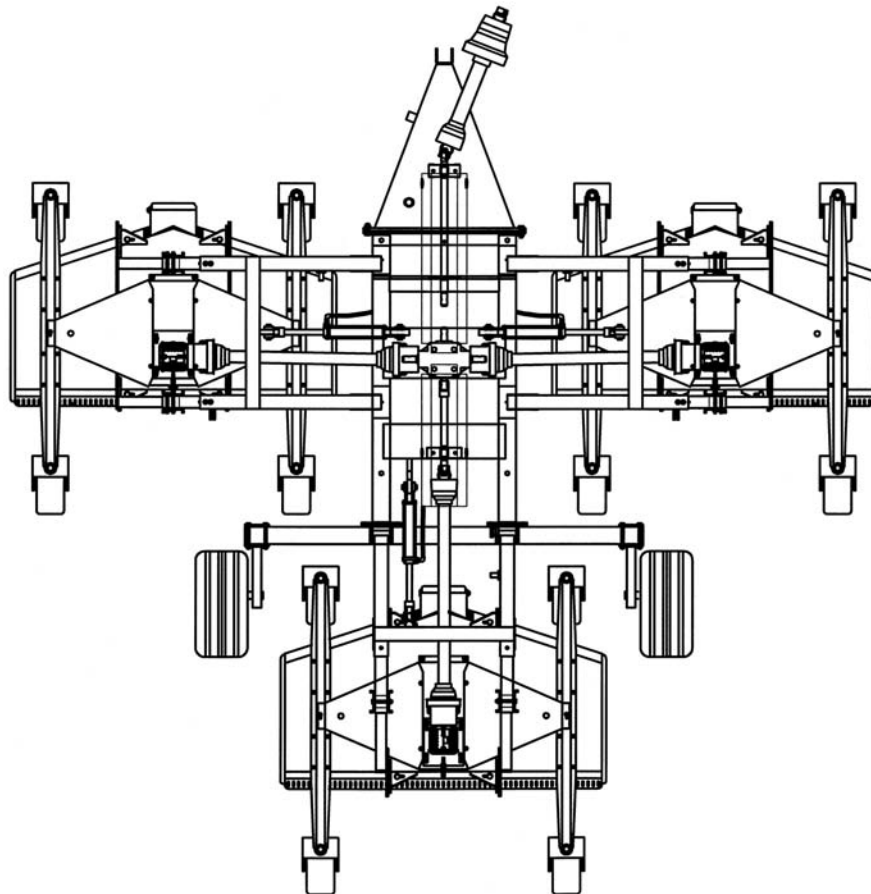


# **BEFCO®**

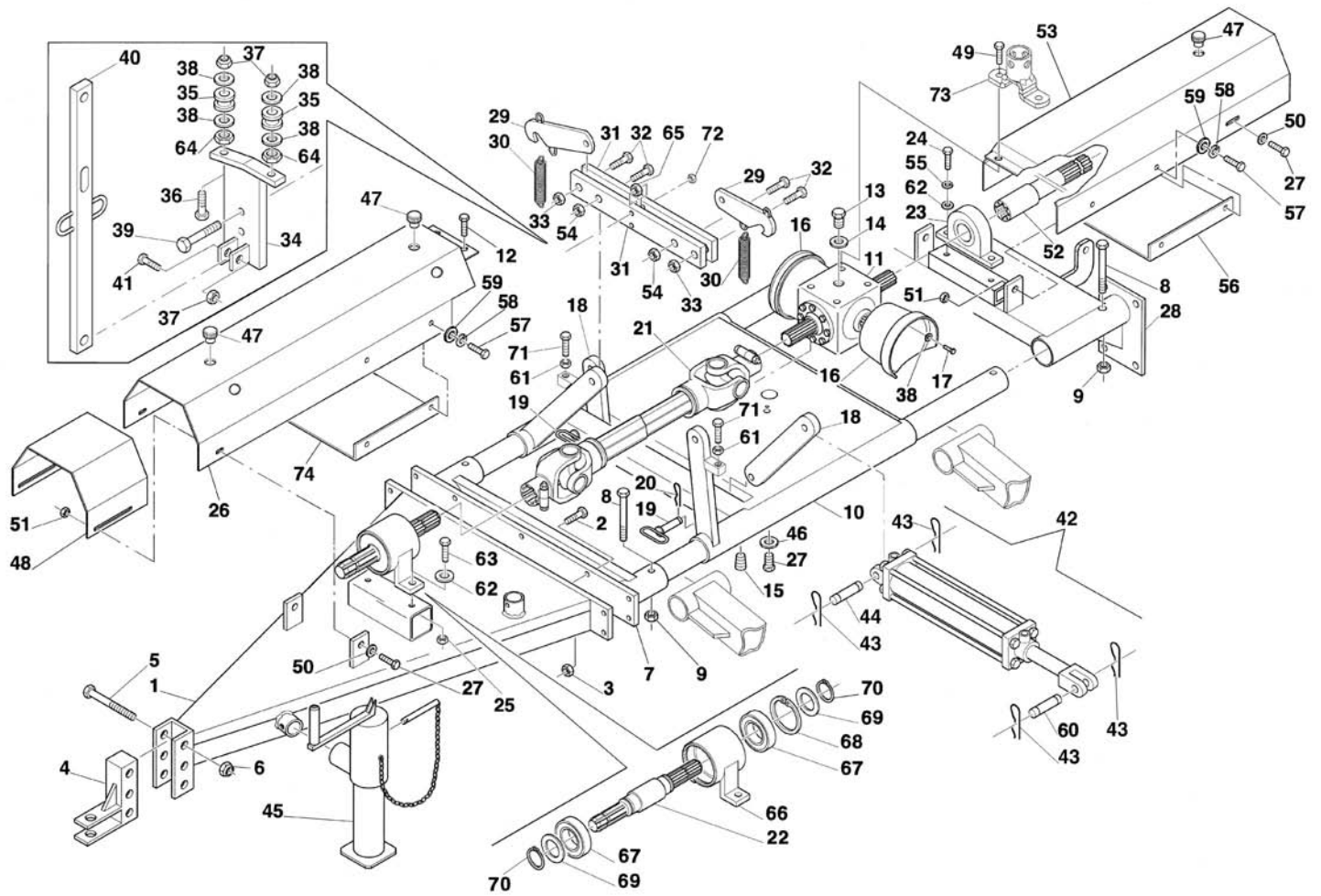
## **Parts Manual**

# **CYCLONE SUPER-FLEX**

**Gang Grooming Mower  
417-SFL, 420-SFL**



**Manual 960-209B  
January 2020**



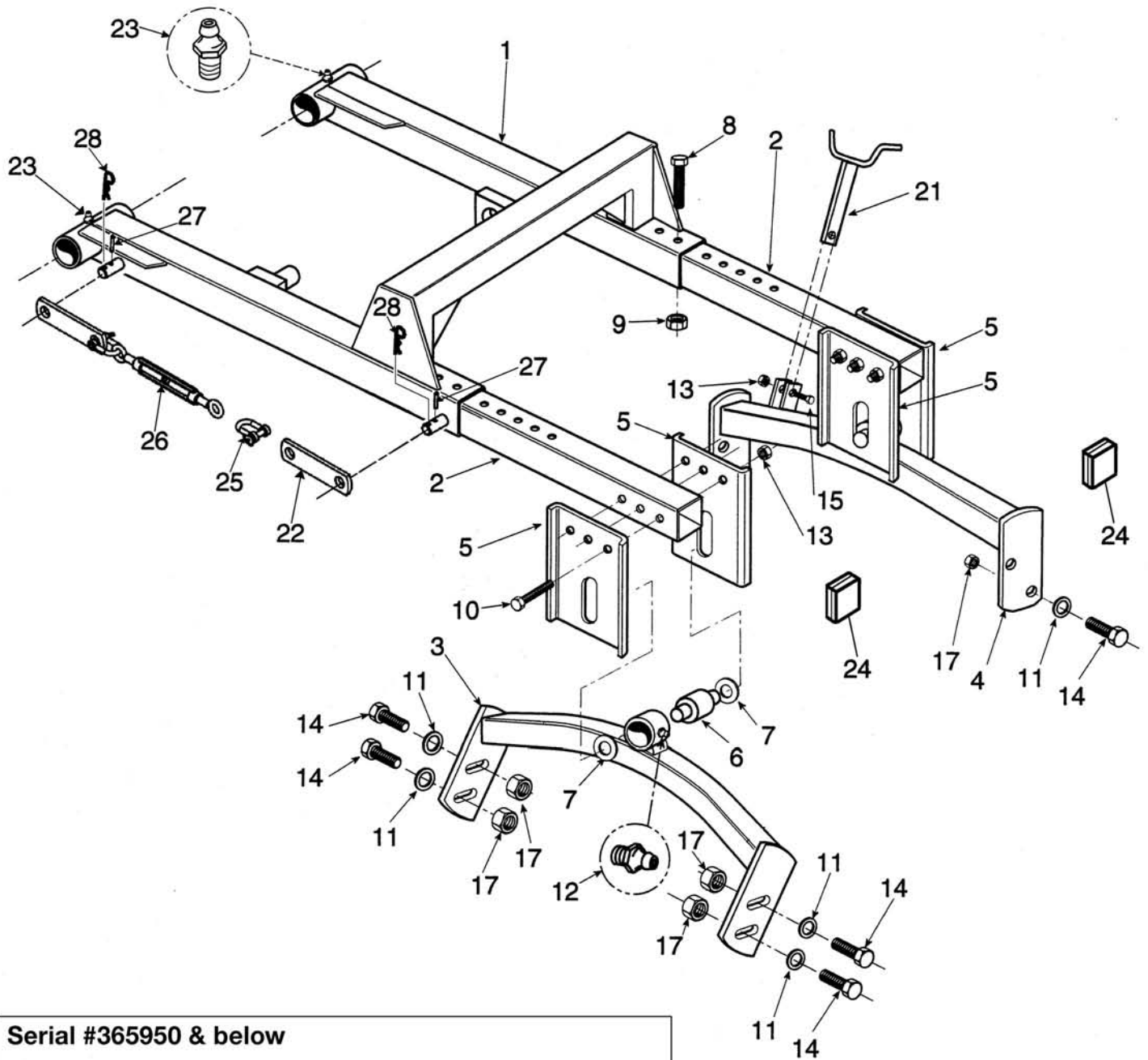
Ref.	Part #	Description	Qty.
1	002-7010	Drawbar	1
2	004-1814	Bolt HH M18-2.50x55 C8.8 Z F	12
3	001-7506	Nut PT M18-2.50 C6 Z TK	12
4	005-8031	Front hitch	1
	005-8050	Front floating hitch (option)	1
5	003-7368	Bolt HH M14-2.00x120 C8.8 Z P	3
6	000-7224	Nut ES M14-2.00 Z TK	3
7	002-3521	Central frame hitch	1
8	002-3574	Bolt HH M16-2.00x120 C8.8 N P	4
9	000-2370	Nut HH M16-2.00 C6 N MD	4
10	002-3551	Main frame; Ver. H & below	1
	002-7070	Main frame; Ver. I & above	1
11	050-0617	Gearbox, complete	1
12	006-4648	Bolt HH M12-1.75x20 C8.8 Z F	2
13	000-1107A	Breather cap	1
14	000-6691	Gasket	1
15	005-3446	Drain plug	1
16	000-8663	Shaft protection	2
17	000-6349	Bolt HH M10-1.50x20 C8.8 Z F	8
18	000-9173	Hitch plate	2
19	000-9201	Pin	2
20	009-1507	Hairpin cotter Ø4 Z	2
21	000-9264	Joint; Ver. H & below	1
	050-0486	PTO shaft, complete; Ver. I & above	1
22	002-3761	Input shaft; Ver. H & below	1
	002-7366	Input shaft; Ver. I & above	1
23	000-9223	Support, input shaft SAP 207, complete	1
24	003-7349	Bolt HH M14-2.00x45 C8.8 Z F	2
25	003-0358	Nut PT M14-2.00 C6 Z TK	6
26	002-3640	Shaft protection; Ver. H & below	1
	002-7240	Shaft protection; Ver. I & above	1
27	001-5255	Bolt HH M12-1.75x30 C8.8 Z F	8
28	002-7090	Rear hitch	1
29	000-9721	Transport hook	3
30	005-1740	Spring	3
31	002-3661	Hook support plate; Ver. L (#269878) & below	1
	002-3662	Hook support plate; Ver. M (#269879) & above	2
32	007-3513	Bolt HH M16-2.00x60 C8.8 Z F	4
33	000-5581	Nut PT M16-2.00 C6 Z TK	2
34	000-9731	Bracket, unlocking lever	1
35	000-9476	Pulley, nylon	2
36	003-0334	Bolt HH M10-1.50x55 C8.8 Z F	2
37	003-0156	Nut PT M10-1.50 C6 TK Z	3
38	000-2034	Washer flat Ø10 W	12
39	001-5232	Bolt HH M10-1.50x75 C8.8 Z P	2
40	000-9737	Lever, unlocking	1
41	003-8614	Bolt HH M10-1.50x40 C8.8 Z F	1



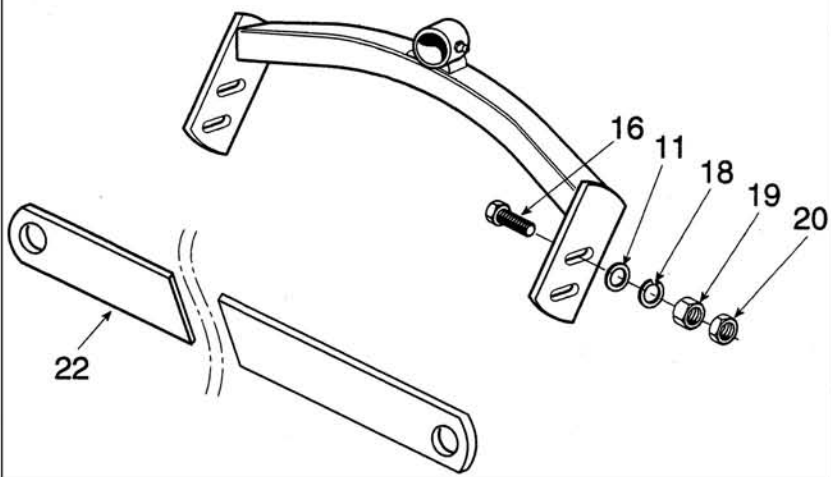
Ref.	Part #	Description	Qty.
42	503-034B	Hydraulic cylinder; #317296 & below <sup>1</sup>	3
	502-757B	Repair kit for cylinder 503-034B (not shown)	-
	502-758B	Breather cap 3/8" NPT for cylinder 503-034B (not shown)	3
	005-8120	Hydraulic cylinder; #317297 & above	3
	005-8125	Repair kit for cylinder 005-8120 (not shown)	-
	005-8123	Breather cap M05-0.80 for cylinder 005-8120 (not shown)	3
43	502-172B	Clip hairpin 0.105"x2.00" Z; #317296 & below <sup>2</sup>	12
	004-1291	Hairpin cotter Ø5 Z; #317297 & above	12
44	502-171B	Pin, hyd. cylinder 1.00"x3.40" Z	3
45	502-098B	Jack stand	1
46	000-1077	Washer lock Ø12 Z	4
47	000-6647	Cap	8
48	002-3639	Protection extension, input shaft	1
49	000-3037	Bolt HH M12-1.75x25 C8.8 Z F	2
50	007-6106	Washer fender Ø12 Z	4
51	009-4139	Nut ES M12-1.75 TN Z	4
52	002-7367	Input shaft	1
53	002-7251	Protection, input shaft	1
54	004-1165	Nut ES M16-2.00 Z TN	2
55	000-1020	Washer lock Ø14 Z	2
56	000-9703	Bottom shield; #365951 & above	1
57	001-5012	Bolt HH M08-1.25x20 C8.8 Z F; #365951 & above	8
58	000-3144	Washer lock Ø08 Z; #365951 & above	8
59	001-5230	Washer flat Ø08 Z; #365951 & above	8
60	502-171B	Pin, hyd. cylinder 1.00"x3.40" Z; #365950 & below	3
	005-8122	Pin hyd. cyl. 25x111.5 mm. Z; #365951 & above	3
61	000-1106	Nut HH M12-1.75 C6 Z MD; Ver. M (#269879) & above	2
62	009-1435	Washer flat Ø14 W	8
63	003-7349	Bolt HH M14-2.00x45 C8.8 Z F; Ver. H & below	2
	000-1526	Bolt HH M14-2.00x35 C8.8 Z F; Ver. I & above	6
64	000-1279	Nut HH M10-1.50 C6 TK Z	2
65	000-2366	Nut HH M16-2.00 C6 Z TK	2
66	000-9223	Support, input shaft SAP 207, complete; Ver. H & below	1
	002-7360	Support, input shaft; Ver. I & above	1
67	005-5358A	Bearing 6208-2RS; Ver. I & above	2
68	000-1154	Snap ring, inner Ø80; Ver. I & above	1
69	005-3248	Shim Ø40x50x2; Ver. I & above	2
70	000-8138	Snap ring, outer Ø40; Ver. I & above	2
71	002-3265	Bolt HH M12-1.75x40 C8.8 Z F; Ver. M (#269879) & above	2
72	001-4106	Nut ES M10-1.50 Z TK	2
73	002-3973	Lifting hitch	1
74	002-7246	Bottom shield; #365951 & above	1

<sup>1</sup> Hydraulic cylinder no longer available should be replaced with cylinder 005-8120.

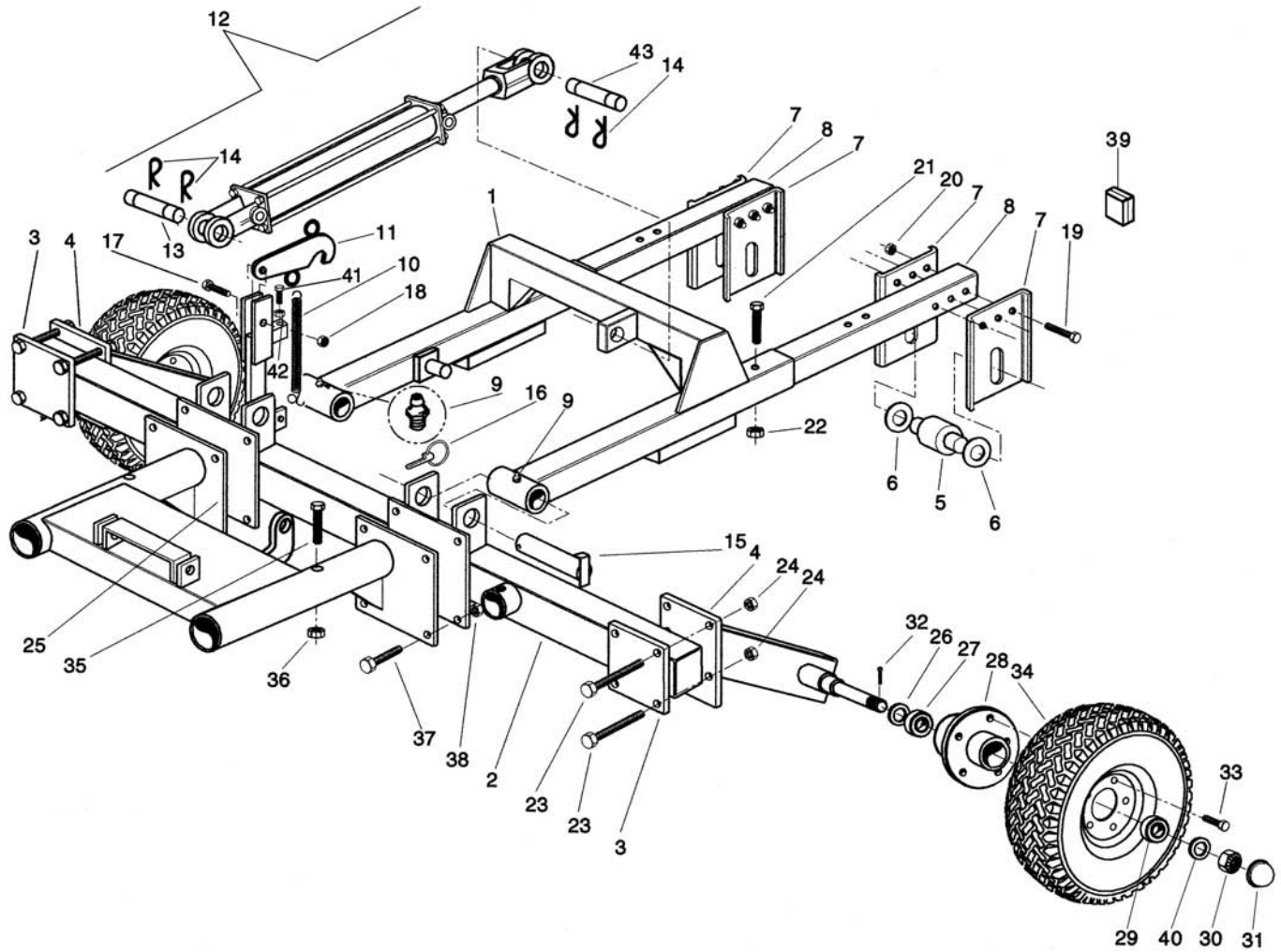
<sup>2</sup> May replace with hairpin cotter 004-1291.



Serial #365950 & below



Ref.	Part #	Description	Qty.
1	012-7050	Lift side, right; 417, 420-SFL	1
	002-7050	Lift side, left; 417, 420-SFL	1
2	002-7147	Lift arm, telescoping	4
3	002-7460	Front hitch, right; 417-SFL	1
	002-7570	Front hitch, right; 420-SFL	1
	012-7460	Front hitch, left; 417-SFL	1
	012-7570	Front hitch, left; 420-SFL	1
4	002-7470	Rear hitch, right; 417-SFL	1
	002-7580	Rear hitch, right; 420-SFL	1
	012-7470	Rear hitch, left; 417-SFL	1
	012-7580	Rear hitch, left; 420-SFL	1
5	008-2176	Hitch plate, formed	8
6	002-7476	Hitch pin	4
7	000-3056	Washer flat Ø30 Y	8
8	003-0285	Bolt HH M14-2.00x100 C8.8 Z P	8
9	000-7224	Nut ES M14-2.00 Z TK	8
10	001-1292	Bolt HH M12-1.75x110 C8.8 Z P	12
11	001-7354	Washer fender Ø16 Z	16
12	000-1065	Grease fitting M10-1.00	8
13	003-0064	Nut PT M12-1.75 C6 TK Z	14
14	009-1038	Bolt HH M16-2.00x50 C8.8 Z F	16
15	003-0054	Bolt HH M12-1.75x50 C8.8 Z F	2
16	003-0309	Bolt HH M16-2.00x70 C8.8 Z F; #365950 & below	2
17	000-5581	Nut PT M16-2.00 C6 Z TK	16
18	000-2367	Washer lock Ø16 Z; #365950 & below	2
19	000-2366	Nut HH M16-2.00 C6 Z TK; #365950 & below	2
20	000-3124	Nut HH M16-2.00 C6 Z MD; #365950 & below	2
21	002-7467	Transport lock; 417-SFL Ver. H & below	2
	002-8330	Transport lock; 417-SFL from Ver. I to Ver. M (#291307)	2
	002-7577	Transport lock; 417-SFL #291308 & above	2
	002-7577	Transport lock; 420-SFL	2
22	002-7517	Transport brace; 417-SFL #365950 & below	1
	002-7608	Transport brace; 420-SFL #365950 & below	1
	002-7518	Transport brace; 417, 420-SFL #365951 & above	2
23	000-6635	Grease fitting Ø6, press in	4
24	002-8150	Plastic cap 70 mm.	4
25	005-8444	Shackle Ø12 M12x1.75 Z; #365951 & above	2
26	005-8443	Eye/eye turnbuckle M16x2.00 Z; #365951 & above	1
27	002-7294	Roll pin Ø6x40 Z; #365951 & above	2
28	004-1291	Hairpin cotter Ø5 Z; #365951 & above	2





Ref.	Part #	Description	Qty.
1	002-7130	Lift, rear; 417, 420-SFL	1
2	002-7105	Frame, rear; 417, 420-SFL	1
3	000-9777	Back plate	2
4	012-7330	Wheel support, right; Ver. H & below <sup>3</sup>	1
	012-7340	Wheel support, right; Ver. I & above	1
	022-7330	Wheel support, left; Ver. H & below <sup>4</sup>	1
	022-7340	Wheel support, left; Ver. I & above	1
5	002-7476	Hitch pin	2
6	000-3056	Washer flat Ø30 Y	4
7	008-2176	Hitch plate, formed	4
8	002-7144	Lift arm, telescoping rear	2
9	000-1065	Grease fitting M10-1.00	2
10	005-1740	Spring	1
11	000-9721	Transport hook	1
12	503-034B	Hydraulic cylinder; #317296 & below <sup>5</sup>	1
	502-757B	Repair kit for cylinder 503-034B (not shown)	-
	502-758B	Breather cap 3/8" NPT for cylinder 503-034B (not shown)	1
	005-8120	Hydraulic cylinder; #317297 & above	1
	005-8125	Repair kit for cylinder 005-8120 (not shown)	-
	005-8123	Breather cap M05-0.80 for cylinder 005-8120 (not shown)	1
13	502-171B	Pin hydraulic cylinder 1.00"x3.40" Z	1
14	502-172B	Clip hairpin 0.105"x2.00" Z; #317296 & below <sup>6</sup>	4
	004-1291	Hairpin cotter Ø5 Z; #317297 & above	4
15	005-8312	Pin, rear lift	2
16	001-8266	Lynch pin Ø11x45	2
17	005-1965	Bolt HH M16-2.00x65 C8.8 Z P	1
18	000-5581	Nut PT M16-2.00 C6 Z TK	1
19	001-1292	Bolt HH M12-1.75x110 C8.8 Z P	6
20	003-0064	Nut PT M12-1.75 C6 TK Z	6
21	003-0285	Bolt HH M14-2.00x100 C8.8 Z P	2
22	000-7224	Nut ES M14-2.00 Z TK	2
23	000-6615	Bolt HH M14-2.00x140 C8.8 Z P	8
24	003-0358	Nut PT M14-2.00 C6 Z TK	8
25	002-7090	Hitch, rear frame; 417, 420-SFL	1
26	503-480B	Oil seal TCM 15262 VH; Ver. H & below	2
	503-947B	Oil seal TCM 162564 VHY; Ver. I & above	2
27	503-481B	Bearing LM 48548/10; Ver. H & below	2
	503-945B	Bearing JL69349/10; Ver. I & above	2
28	503-487B	Hub, wheel H27-660E; Ver. H & below <sup>7</sup>	2
	503-948B	Hub, wheel H35-660E; Ver. I & above	2
29	503-482B	Bearing LM 67048/10	2
30	503-484B	Nut CA 7/8"-14 Z	2
31	170-8013	Bearing buddy	2
	170-8014	Bra, bearing buddy (not shown)	2

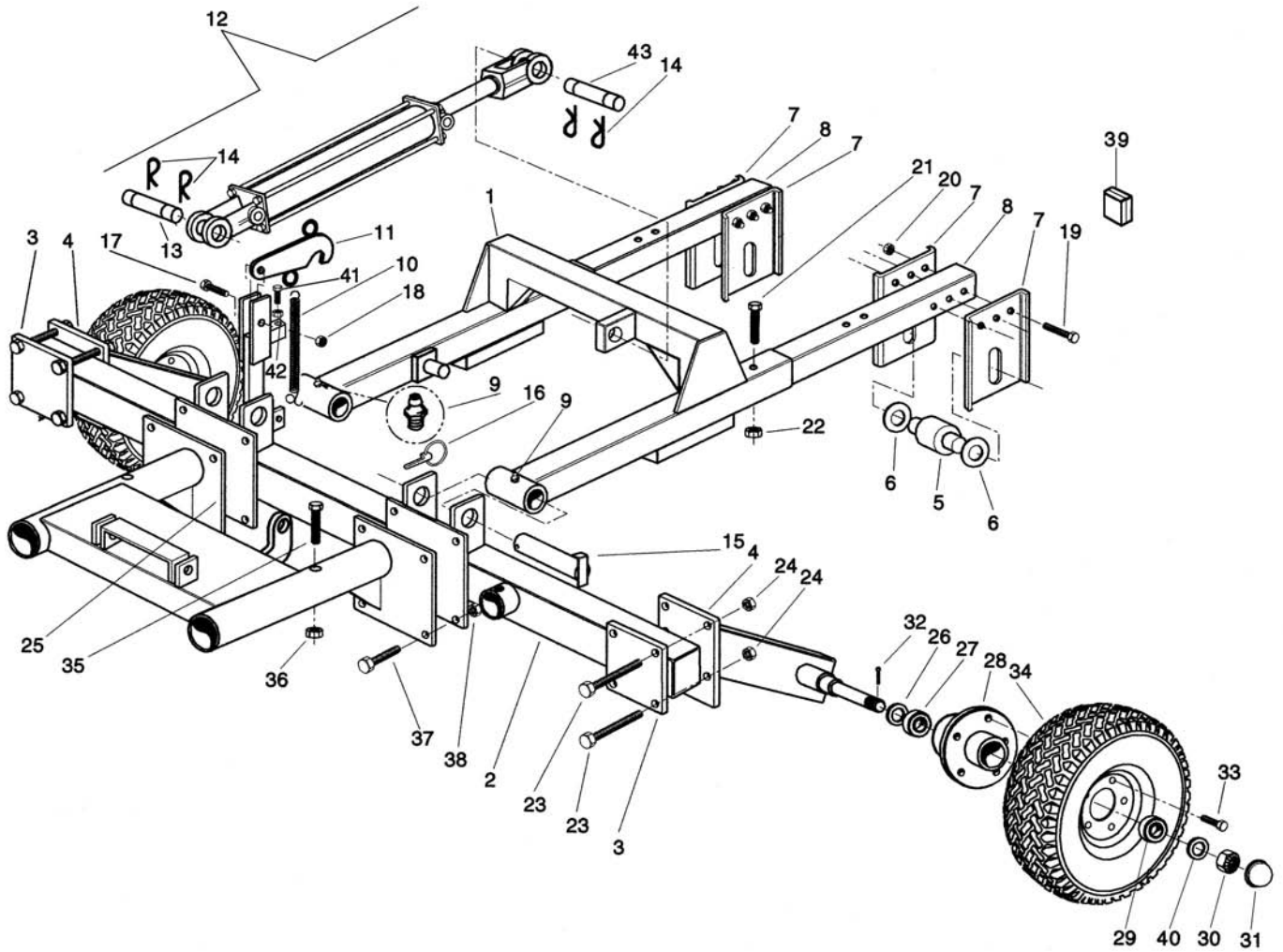
<sup>3</sup> Right wheel support no longer available, to replace order; one (1) right wheel support 012-7340, one (1) oil seal 503-947B, one (1) bearing 503-945B and one (1) hub 503-948B.

<sup>4</sup> Left wheel support no longer available, to replace order; one (1) left wheel support 022-7340, one (1) oil seal 503-947B, one (1) bearing 503-945B and one (1) hub 503-948B.

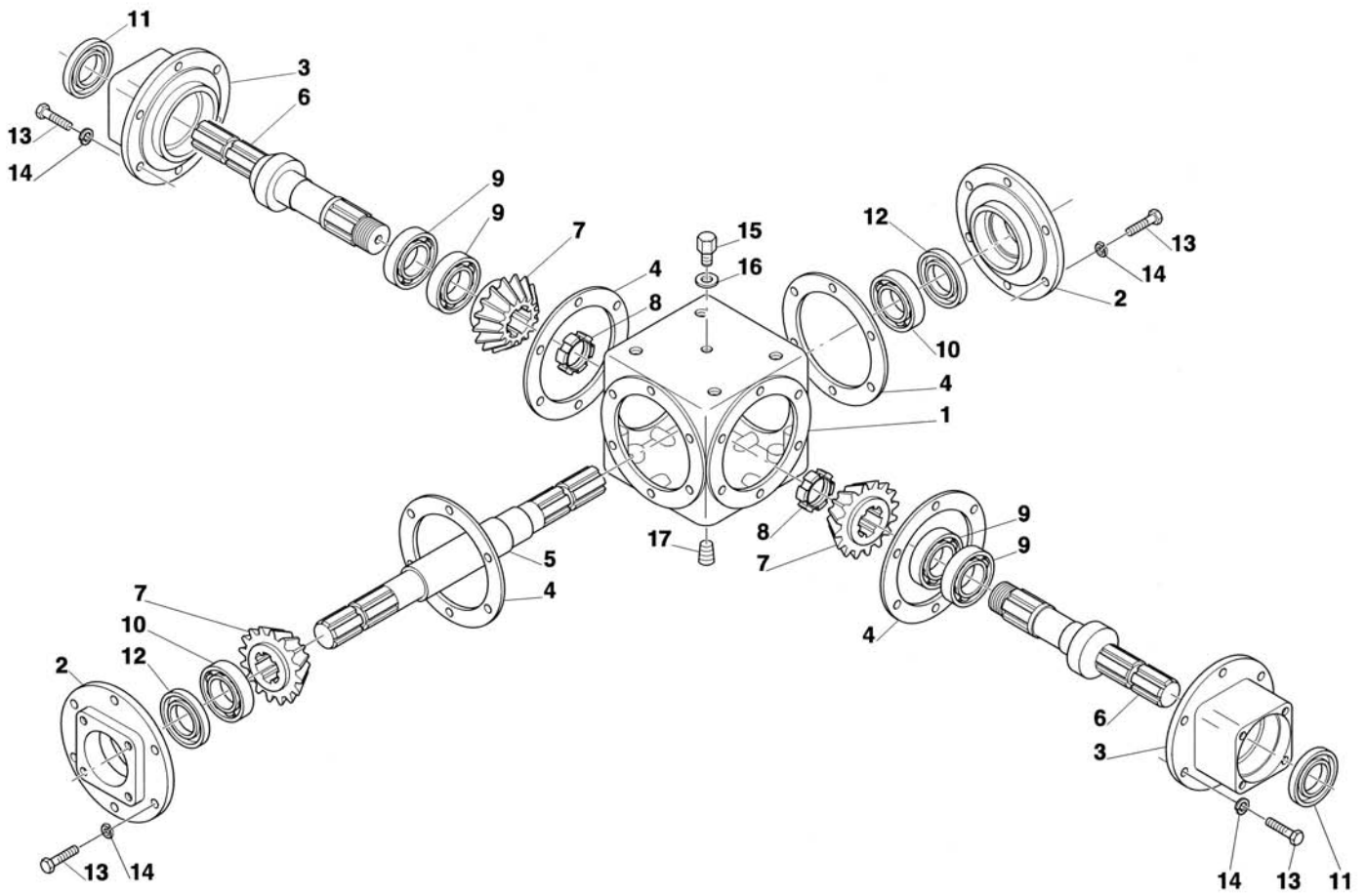
<sup>5</sup> Hydraulic cylinder no longer available should be replaced with cylinder #005-8120.

<sup>6</sup> May replace with hairpin cotter 004-1291.

<sup>7</sup> Hub no longer available, to replace order; one (1) hub 503-948B, one (1) wheel support (either 012-7340 for right wheel support or 022-7340 for left wheel support), one (1) oil seal 503-947B and one (1) bearing 503-945B.

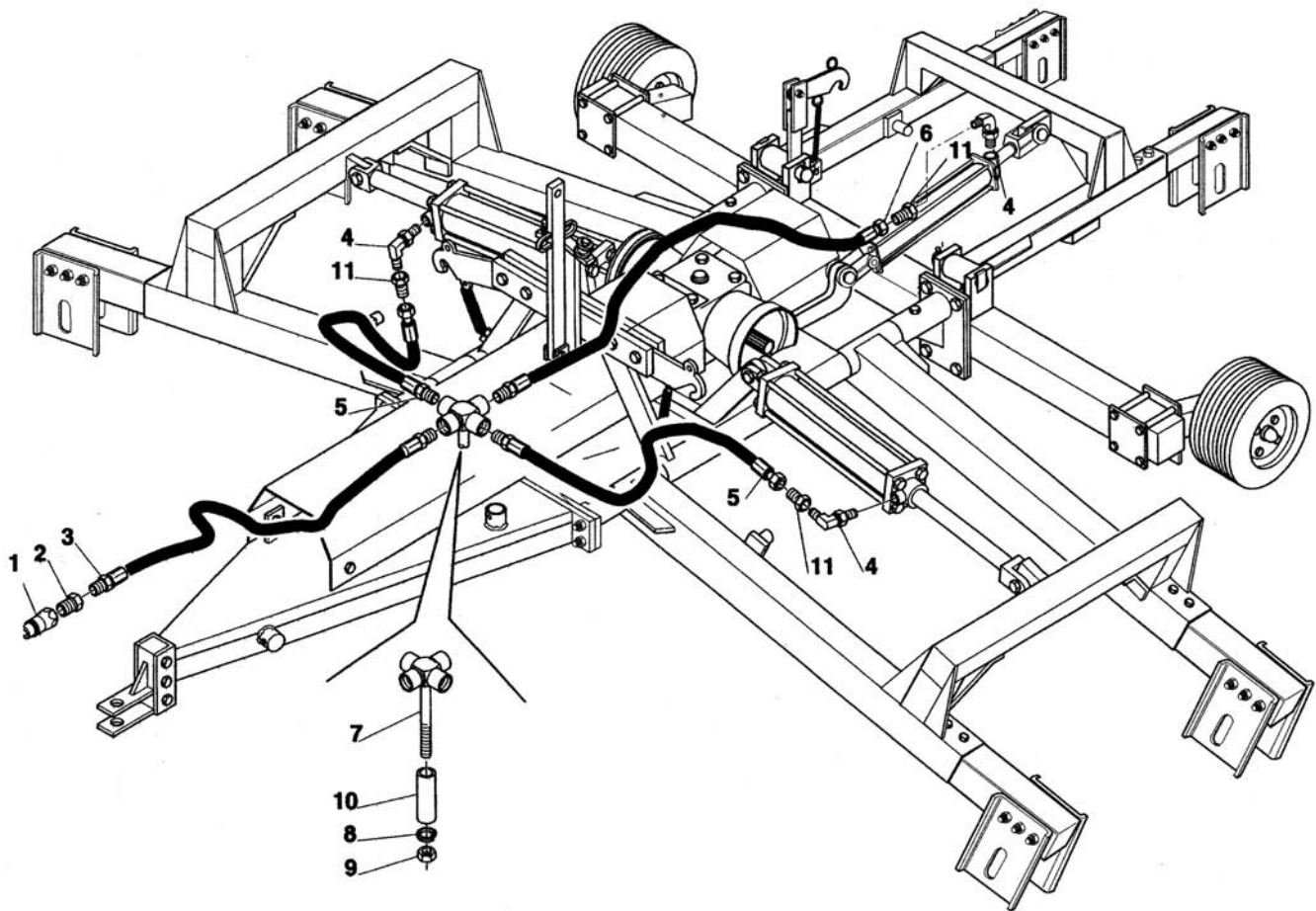


Ref.	Part #	Description	Qty.
32	503-485B	Pin cotter 5/32"x1.50" N	2
33	503-486B	Bolt LUG 1/2"-20x1.50" G5 Z	12
34	170-8006	Wheel, complete	2
35	002-3574	Bolt HH M16-2.00x120 C8.8 N P	2
36	000-2370	Nut HH M16-2.00 C6 N MD	2
37	006-4377	Bolt HH M18-2.50x45 C8.8 Z F	8
38	001-7506	Nut PT M18-2.50 C6 Z TK	8
39	002-8150	Plastic cap 70 mm.	4
40	503-483B	Washer flat Ø24 Z	4
41	002-3265	Bolt HH M12-1.75x40 C8.8 Z F; #296485 & above	1
42	000-1106	Nut HH M12-1.75 C6 Z MD; #296485 & above	1
43	502-171B	Pin hyd. cyl. 1.00"x3.40" Z; #365950 & below	1
	005-8122	Pin hyd. cyl. 25x111.5 mm. Z; #365951 & above	1

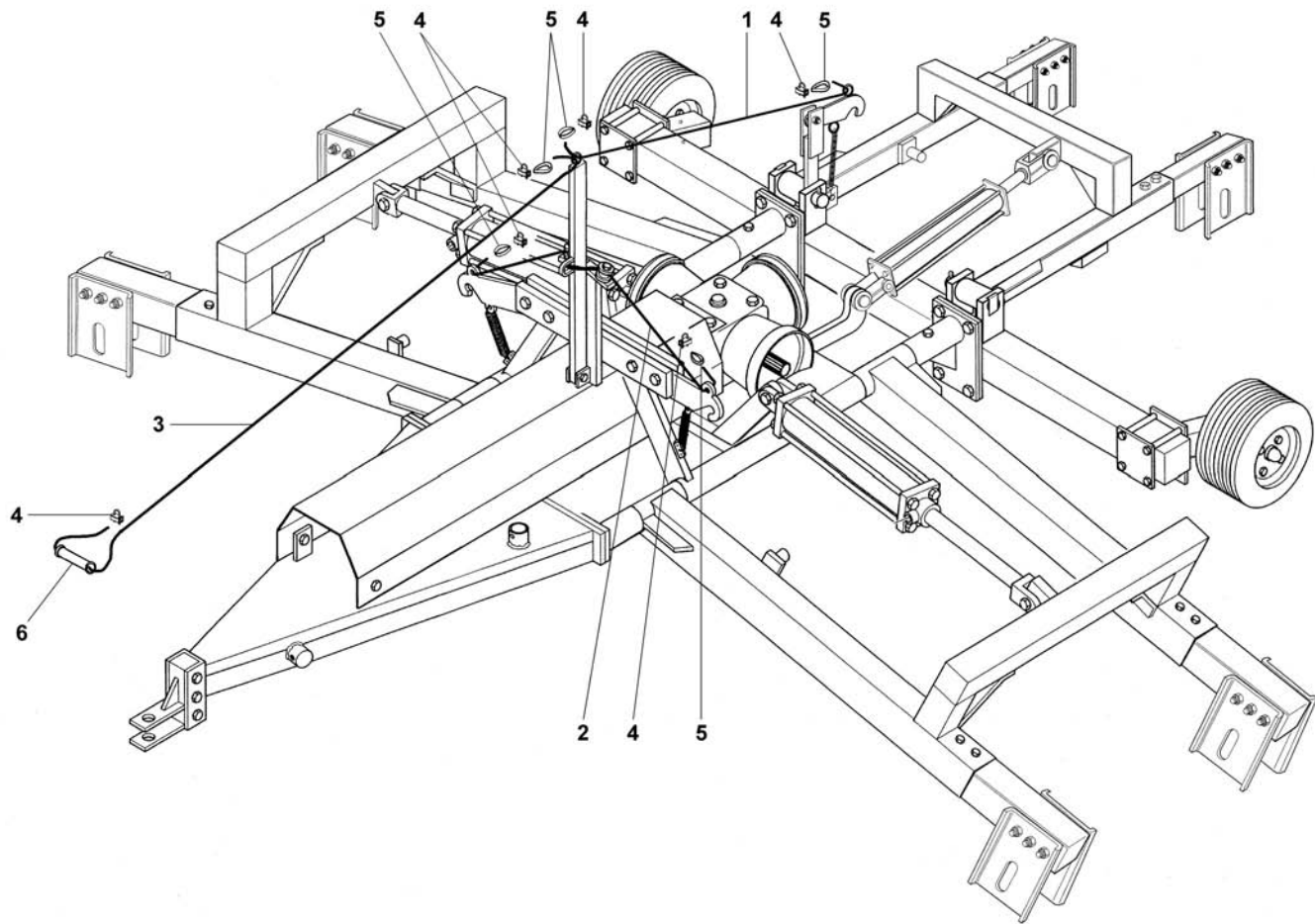


Ref.	Part #	Description	Qty.
1	000-9970	Housing, gearbox	1
2	000-9971	Front cover, gearbox housing	2
3	000-9972	Lateral support, gearbox housing	2
4	003-0193	Gasket 2/10	-
	013-0193	Gasket 5/10	-
5	000-9975	Input shaft	1
6	000-9976	Output shaft	2
7	000-9973	Ring gear	3
8	003-7098	Locking ring ES GUK M35-1.50	2
9	003-0201A	Bearing 30208	4
10	000-7172A	Bearing 30207	2
11	005-8162	Oil seal 52.85.10 TC	2
12	000-9974	Oil seal 35.55.10 TC	2
13	003-3176	Bolt HH M10-1.50x25 C8.8 Z F	24
14	000-1280	Washer lock Ø10 Z	24
15	000-1107A	Breather cap	1
16	000-6691	Gasket	1
17	005-3446	Drain plug	1
	050-0617	Main gearbox, complete <sup>8</sup>	-

<sup>8</sup> Fill using approx. 78 fl.oz. (2.4 qt.) of SAE 90W gear oil.

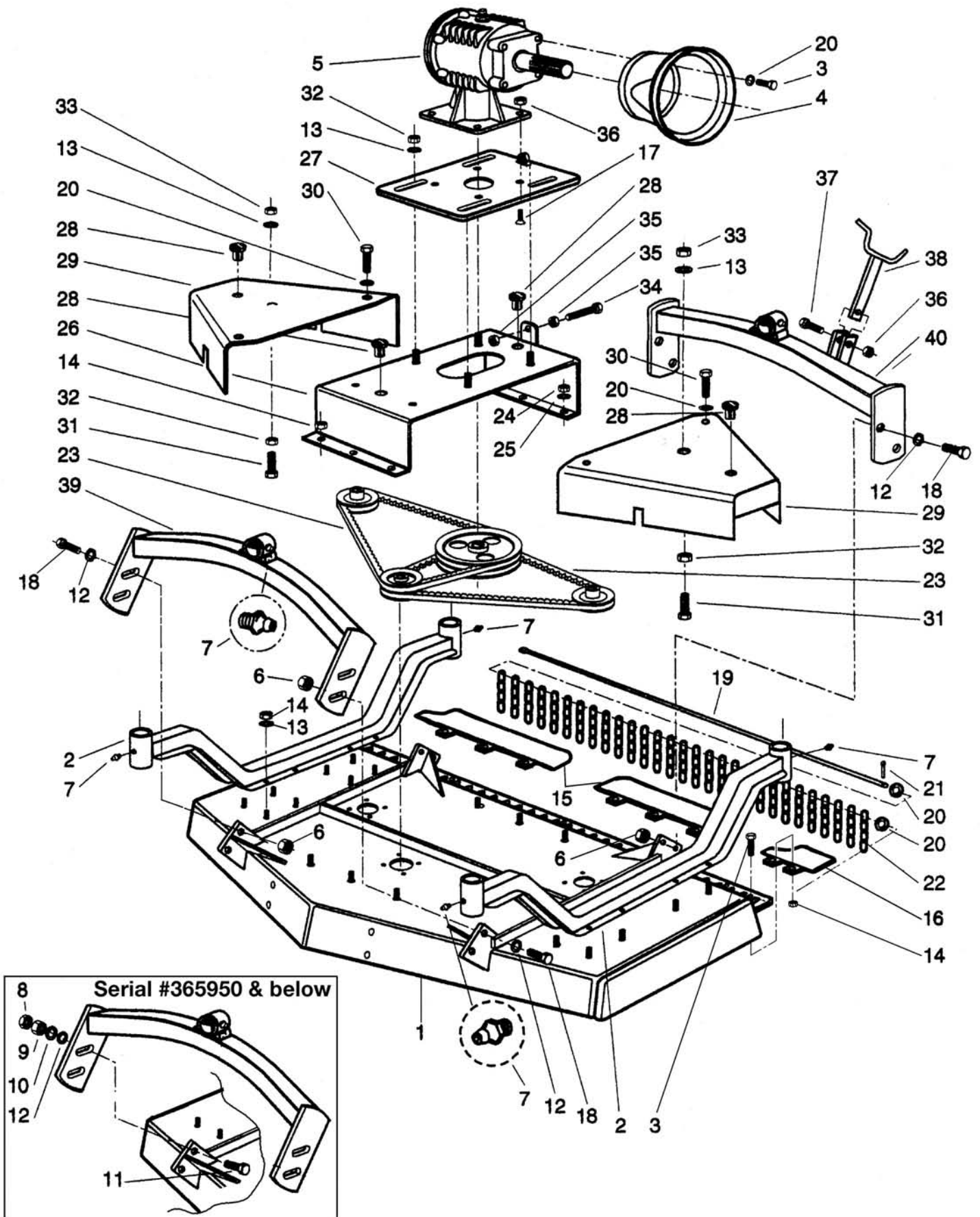


Ref.	Part #	Description	Qty.
1	502-170B	1/2" quick connect nipple 1/2" FP	1
2	502-169B	Reducer 3/8"-1/2"	1
3	502-166B	Hydraulic hose 87", front	1
4	502-163B	90° OR fitting	3
5	502-168B	Hydraulic hose 39", side	2
6	503-477B	Hydraulic hose 79", rear	1
7	502-165B	Hyd. cross 3/8" FNPT w/bolt	1
8	000-1077	Washer lock Ø12 Z	1
9	000-3038	Nut HH M12-1.75 C6 Z TK	1
10	002-7637	Spacer	1
11	502-164B	Adaptor 3/8" NPT with 1/16" restrictor	3

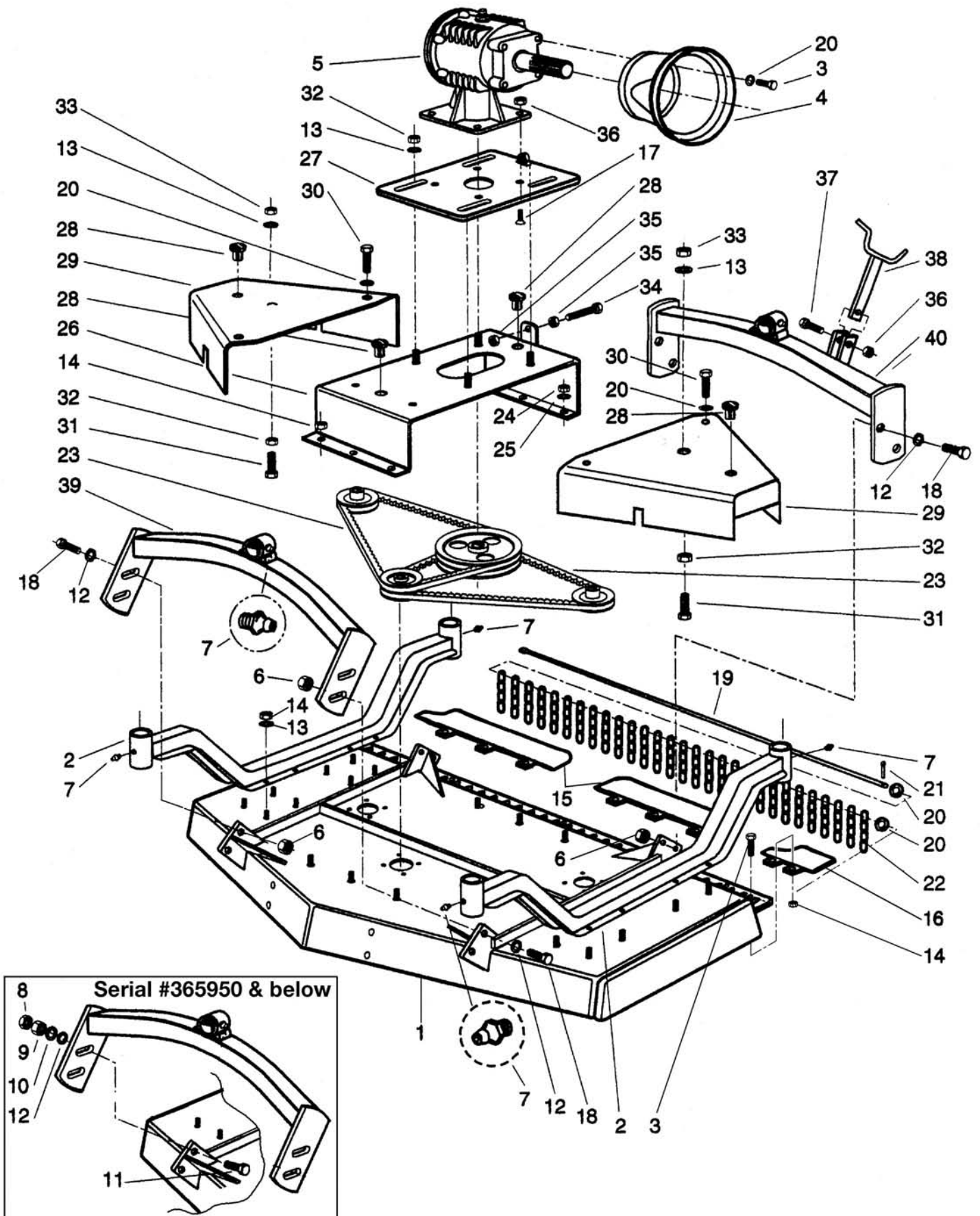




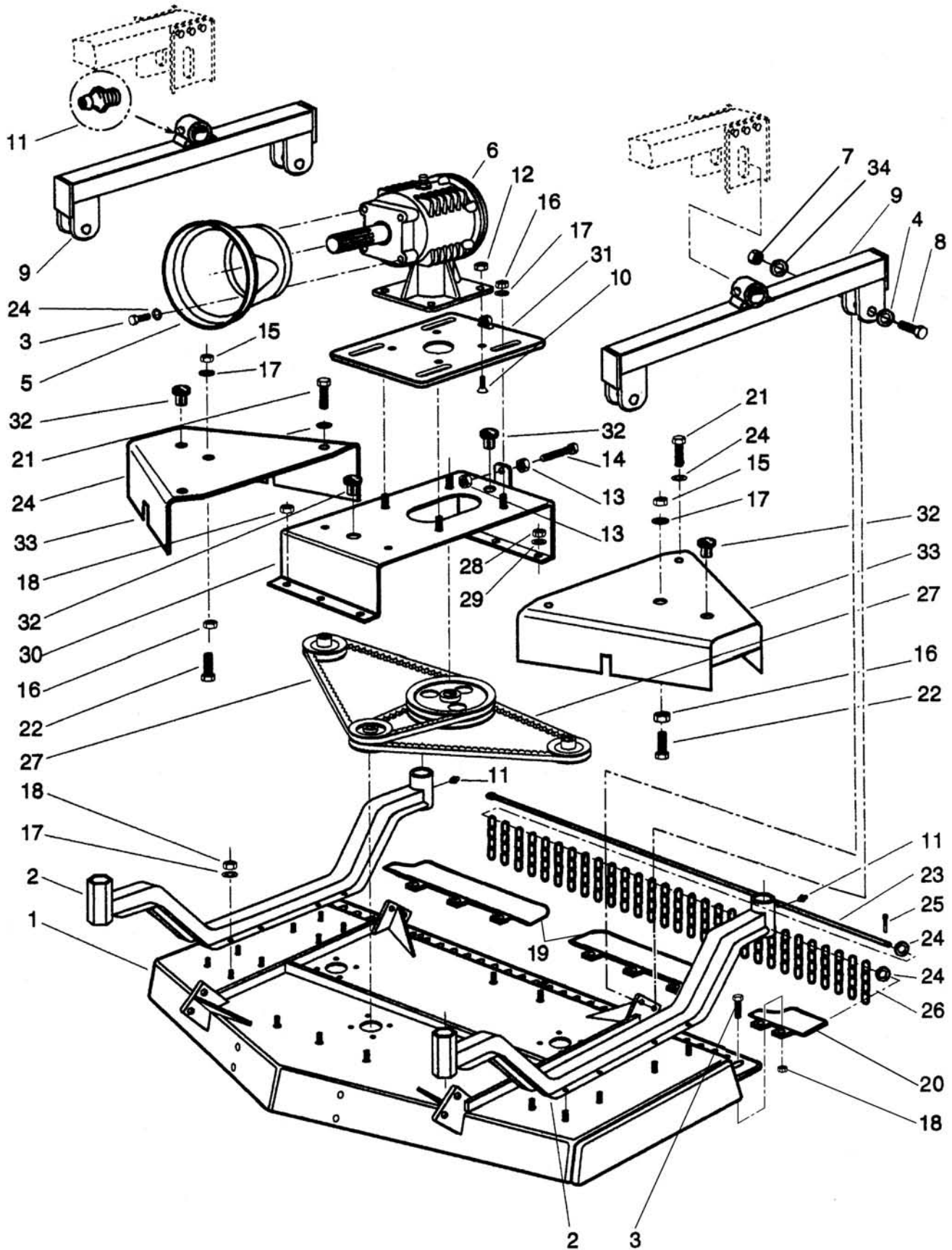
<b>Ref.</b>	<b>Part #</b>	<b>Description</b>	<b>Qty.</b>
1	002-7310	Wire rope, rear	1
2	002-7311	Wire rope, side	1
3	002-7312	Wire rope, front	1
4	005-8224	"U" clamp, complete	6
5	005-8225	Wire loop	5
6	005-8228	Handle	1



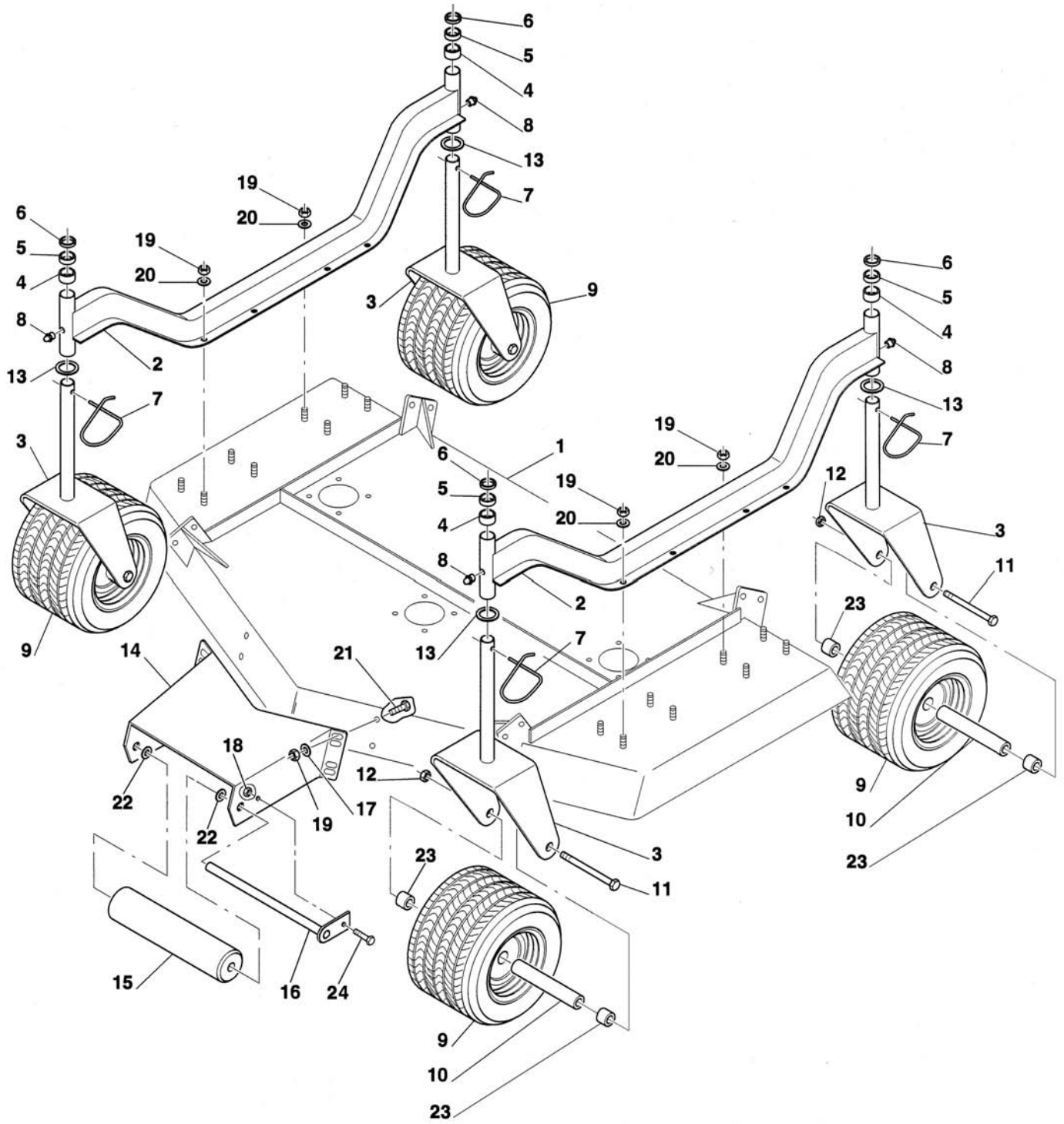
Ref.	Part #	Description	Qty.
1	030-6900	Frame 6' rear discharge; 417-SFL	2
	040-6900	Frame 7' rear discharge; 420-SFL	2
2	002-7425	Wheel arm 6' frame; 417-SFL	4
	002-7535	Wheel arm 7' frame; 420-SFL	4
3	000-6349	Bolt HH M10-1.50x20 C8.8 Z F	20
4	000-8663	Shaft protection	2
5	050-0642	Gearbox, complete	2
6	000-5581	Nut PT M16-2.00 C6 Z TK	16
7	000-1065	Grease fitting M10-1.00	12
8	000-3124	Nut HH M16-2.00 C6 Z MD; #365950 & below	2
9	000-2366	Nut HH M16-2.00 C6 Z TK; #365950 & below	2
10	000-2367	Washer lock Ø16 Z; #365950 & below	2
11	003-0309	Bolt HH M16-2.00x70 C8.8 Z F; #365950 & below	2
12	001-7354	Washer fender Ø16 Z	16
13	003-0157	Washer fender Ø10 Z	44
14	003-0156	Nut PT M10-1.50 C6 TK Z	58
15	002-0415	Rear protection, inner; 417, 420-SFL	4
16	002-0412	Rear protection 6' frame, outer; 417-SFL	4
	002-0413	Rear protection 7' frame, outer; 420-SFL	4
17	007-4183	Bolt CS M12-1.75x40 C10.9 Z F	8
18	009-1038	Bolt HH M16-2.00x50 C8.8 Z F	16
19	030-6762	Chain rod 6' frame; 417-SFL	2
	040-6762	Chain rod 7' frame; 420-SFL	2
20	000-2034	Washer flat Ø10 W	12
21	004-4156	Cotter pin Ø4x25	2
22	000-6764	Chain links	-
23	000-6848	Belt 5VX850; 417-SFL	4
	000-6694	Belt 5VX1000; 420-SFL	4
24	000-1279	Nut HH M10-1.50 C6 TK Z	6
25	000-1280	Washer lock Ø10 Z	6
26	000-6913	Central plate 6' frame; 417-SFL	2
	000-6814	Central plate 7' frame; 420-SFL	2
27	000-6541	Support plate, gearbox	2
28	000-6647	Cap	8
29	030-6989	Belt shield 6' w/o tab; 417-SFL	4
	040-6989	Belt shield 7' w/o tab; 420-SFL	4
30	003-3176	Bolt HH M10-1.50x25 C8.8 Z F	8
31	000-6943	Bolt HH M10-1.50x120 C8.8 Z F	4
32	001-4106	Nut ES M10-1.50 Z TK	12
33	001-5237	Nut ES M10-1.50 Z TN	4
34	000-6547	Bolt HH M12-1.75x100 C8.8 Z F	2
35	000-1106	Nut HH M12-1.75 C6 Z MD	4
36	003-0064	Nut PT M12-1.75 C6 TK Z	10
37	003-0054	Bolt HH M12-1.75x50 C8.8 Z F	2
38	002-7467	Transport lock 6' frame; 417-SFL Ver. H & below	2
	002-8330	Transport lock 6' frame; 417-SFL from Ver. I to Ver. M (#291307)	2
	002-7577	Transport lock 6' frame; 417-SFL #291308 & above	2
	002-7577	Transport lock 7' frame; 420-SFL	2



Ref.	Part #	Description	Qty.
39	002-7460	Front hitch 6' right frame; 417-SFL	1
	012-7460	Front hitch 6' left frame; 417-SFL	1
	002-7570	Front hitch 7' right frame; 420-SFL	1
	012-7570	Front hitch 7' left frame; 420-SFL	1
40	002-7470	Rear hitch 6' right frame; 417-SFL	1
	012-7470	Rear hitch 6' left frame; 417-SFL	1
	002-7580	Rear hitch 7' right frame; 420-SFL	1
	012-7580	Rear hitch 7' left frame; 420-SFL	1



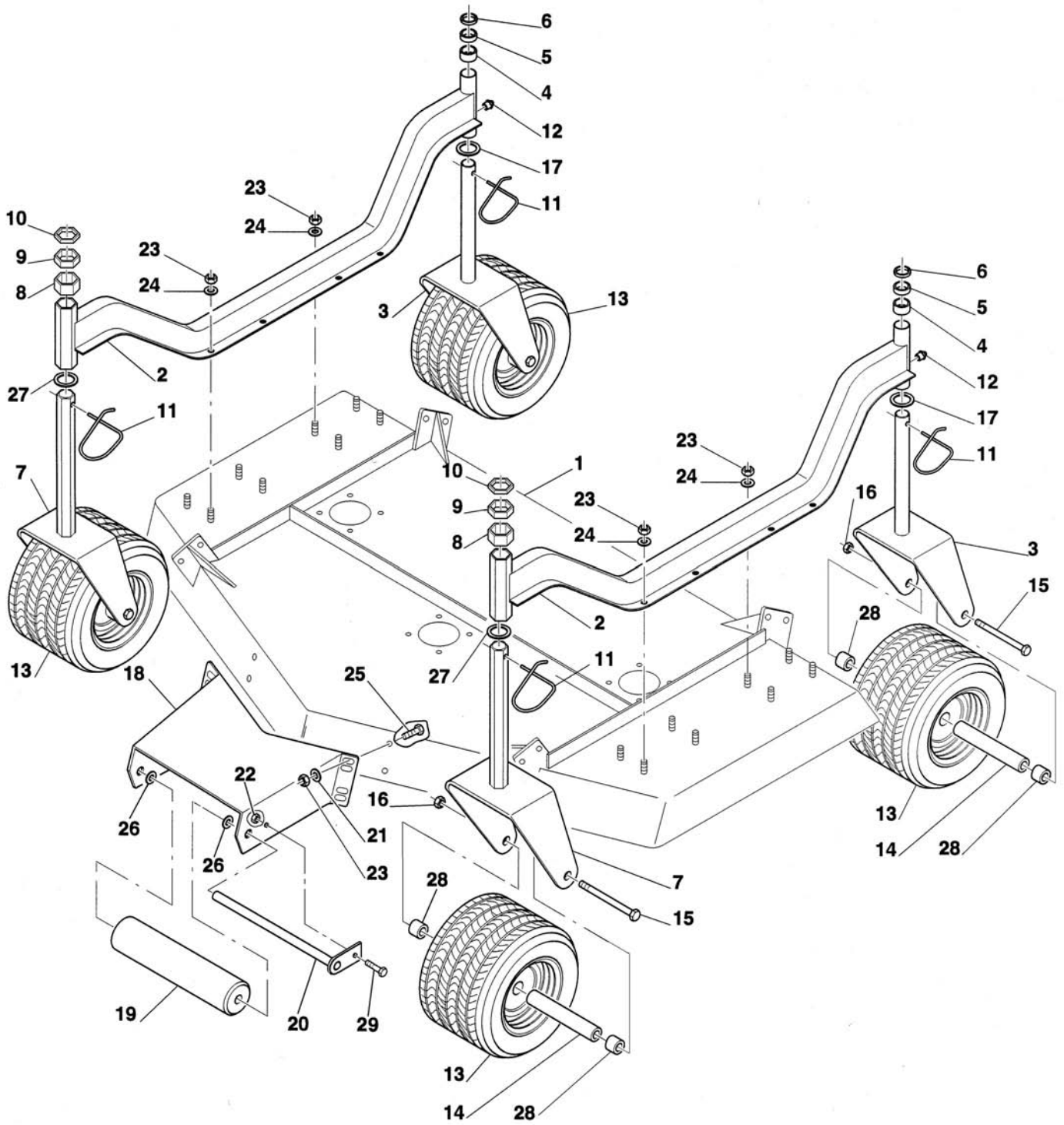
Ref.	Part #	Description	Qty.
1	030-6900	Frame 6' rear discharge; 417-SFL	1
	040-6900	Frame 7' rear discharge; 420-SFL	1
2	002-7436	Wheel arm hex, 6' frame; 417-SFL	2
	002-7546	Wheel arm hex, 7' frame; 420-SFL	2
3	000-6349	Bolt HH M10-1.50x20 C8.8 Z F	10
4	001-7354	Washer fender Ø16 Z; 417-SFL	8
	001-7354	Washer fender Ø16 Z; 420-SFL	4
5	000-8663	Shaft protection	1
6	050-0642	Gearbox, complete	1
7	000-5581	Nut PT M16-2.00 C6 Z TK; 417-SFL	8
	000-5581	Nut PT M16-2.00 C6 Z TK; 420-SFL	4
8	009-1038	Bolt HH M16-2.00x50 C8.8 Z F; 417-SFL	8
	005-1965	Bolt HH M16-2.00x65 C8.8 Z P; 420-SFL	4
9	012-7480	Right hitch 6' rear frame; 417-SFL	1
	002-7480	Left hitch 6' rear frame; 417-SFL	1
	002-7590	Right hitch 7' rear frame; 420-SFL	1
	012-7590	Left hitch 7' rear frame; 420-SFL	1
10	007-4183	Bolt CS M12-1.75x40 C10.9 Z F	4
11	000-1065	Grease fitting M10-1.00	4
12	003-0064	Nut PT M12-1.75 C6 TK Z	4
13	000-1106	Nut HH M12-1.75 C6 Z MD	2
14	000-6547	Bolt HH M12-1.75x100 C8.8 Z F	1
15	001-5237	Nut ES M10-1.50 Z TN	2
16	001-4106	Nut ES M10-1.50 Z TK	6
17	003-0157	Washer fender Ø10 Z	22
18	003-0156	Nut PT M10-1.50 C6 TK Z	29
19	002-0415	Rear protection, inner; 417, 420-SFL	2
20	002-0412	Rear protection 6' frame, outer; 417-SFL	2
	002-0413	Rear protection 7' frame, outer; 420-SFL	2
21	003-3176	Bolt HH M10-1.50x25 C8.8 Z F	4
22	000-6943	Bolt HH M10-1.50x120 C8.8 Z F	2
23	030-6762	Chain rod 6' frame; 417-SFL	1
	040-6762	Chain rod 7' frame; 420-SFL	1
24	000-2034	Washer flat Ø10 W	6
25	004-4156	Cotter pin Ø4x25	1
26	000-6764	Chain links; 417-SFL	61
	000-6764	Chain links; 420-SFL	71
27	000-6848	Belt 5VX850; 417-SFL	2
	000-6694	Belt 5VX1000; 420-SFL	2
28	000-1279	Nut HH M10-1.50 C6 TK Z	3
29	000-1280	Washer lock Ø10 Z	3
30	000-6913	Central plate 6' frame; 417-SFL	1
	000-6814	Central plate 7' frame; 420-SFL	1
31	000-6541	Support plate, gearbox	1
32	000-6647	Cap	4
33	030-6989	Belt shield 6' w/o tab; 417-SFL	2
	040-6989	Belt shield 7' w/o tab; 420-SFL	2
34	001-7354	Washer fender Ø16 Z; 420-SFL	4





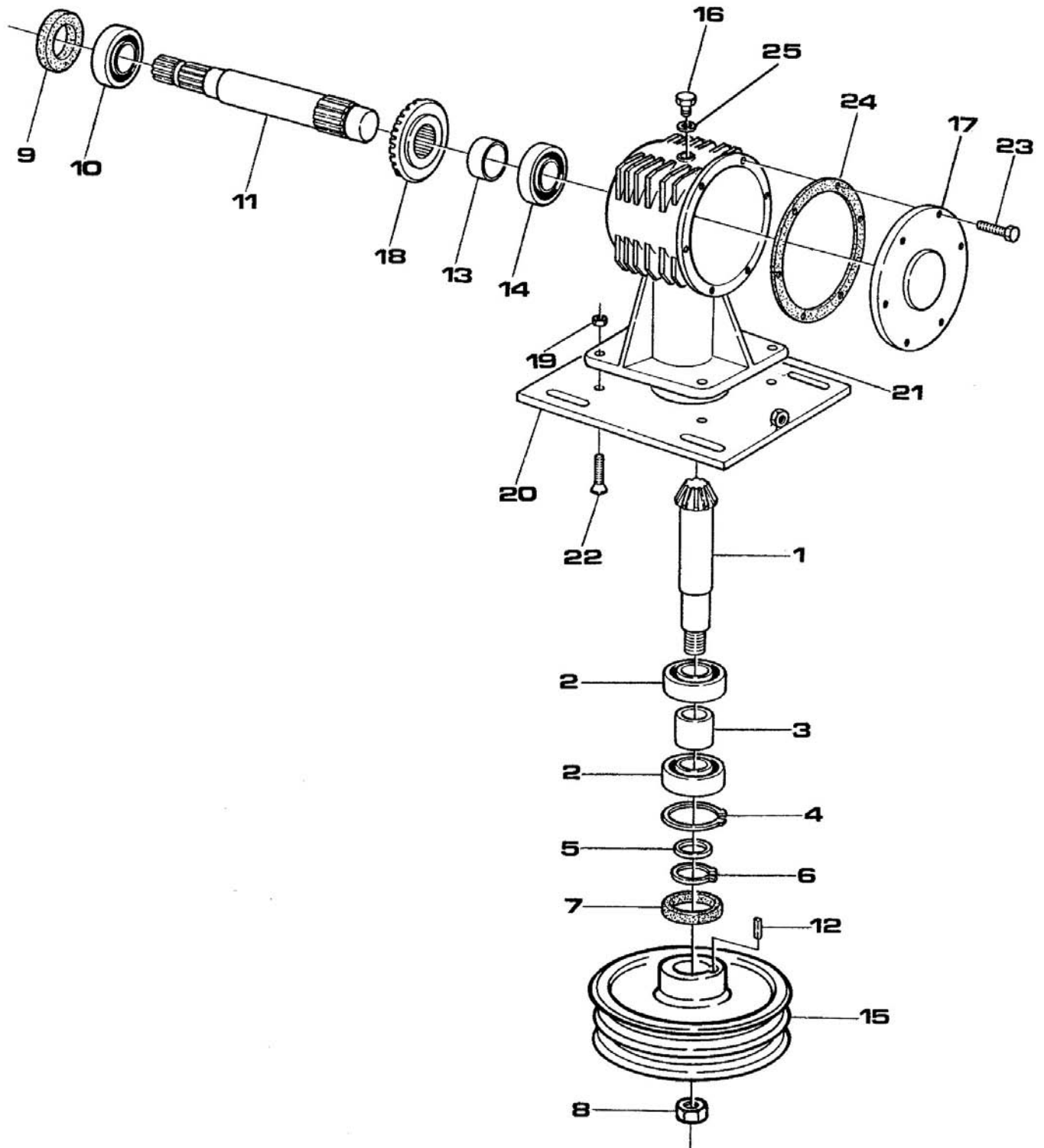
Ref.	Part #	Description	Qty.
1	030-6900	Frame 6' rear discharge; 417-SFL	2
	040-6900	Frame 7' rear discharge; 420-SFL	2
2	002-7425	Wheel arm 6' frame; 417-SFL	4
	002-7535	Wheel arm 7' frame; 420-SFL	4
3	006-7371	Wheel yoke round shaft, 13" air tire	8
4	004-4129	Spacer 1"	24
5	004-4130	Spacer ½"	8
6	006-7311	Spacer ¼"	16
7	000-8783	Pin SP, wheel yoke	8
8	000-1065	Grease fitting M10-1.00	8
9	008-4673	Wheel 13" air tire, complete; Ver. D (#262938) & below <sup>9</sup>	8
	002-3929A	Bearing needle, air tire; Ver. D (#262938) & below (not shown)	16
	002-3930A	Retainer, wheel air tire; Ver. D (#262938) & below (not shown)	16
	006-7402	Wheel 13" air tire, complete; Ver. E (#262939) & above	8
	005-1706	Bearing 6205-2RS; Ver. E (#262939) & above (not shown)	16
	004-4134	Wheel cover, air tire; Ver. E (#262939) & above (not shown)	16
10	006-7377	Bushing, wheel 13" air tire; Ver. D (#262938) & below	8
	006-7412	Bushing, wheel 13" air tire; Ver. E (#262939) & above	8
11	002-3911	Bolt HH M20-2.50x230 C8.8 Z P	8
12	000-5507	Nut PT M20-2.50 C6 TK Z	8
13	000-5524	Washer flat Ø33 Z	8
14	000-9622	Support, front roller; Ver. I (#269878) & below	2
	006-7354	Support, front roller; Ver. L (#269879) & above	2
15	006-7358	Front roller Ø3"	2
16	006-7363	Roller pin; Ver. I (#269878) & below	2
	006-7365	Roller pin; Ver. L (#269879) & above	2
17	000-2034	Washer flat Ø10 W	8
18	001-1328	Nut PT M08-1.25 C6 Z TK	2
19	003-0156	Nut PT M10-1.50 C6 TK Z	40
20	003-0157	Washer fender Ø10 Z	32
21	000-6349	Bolt HH M10-1.50x20 C8.8 Z F	8
22	000-8568	Washer flat Ø16 W	4
23	006-7414	Spacer, wheel 13" air tire; Ver. E (#262939) & above	16
24	004-6454	Bolt HH M08-1.25x16 C8.8 Z F	2

<sup>9</sup> Wheel no longer available, part #006-7402 should be ordered instead. Ver. D (#262938) and below must also order two (2) outer wheel spacers 006-7414 and one (1) bushing 006-7412 when replacing wheel.



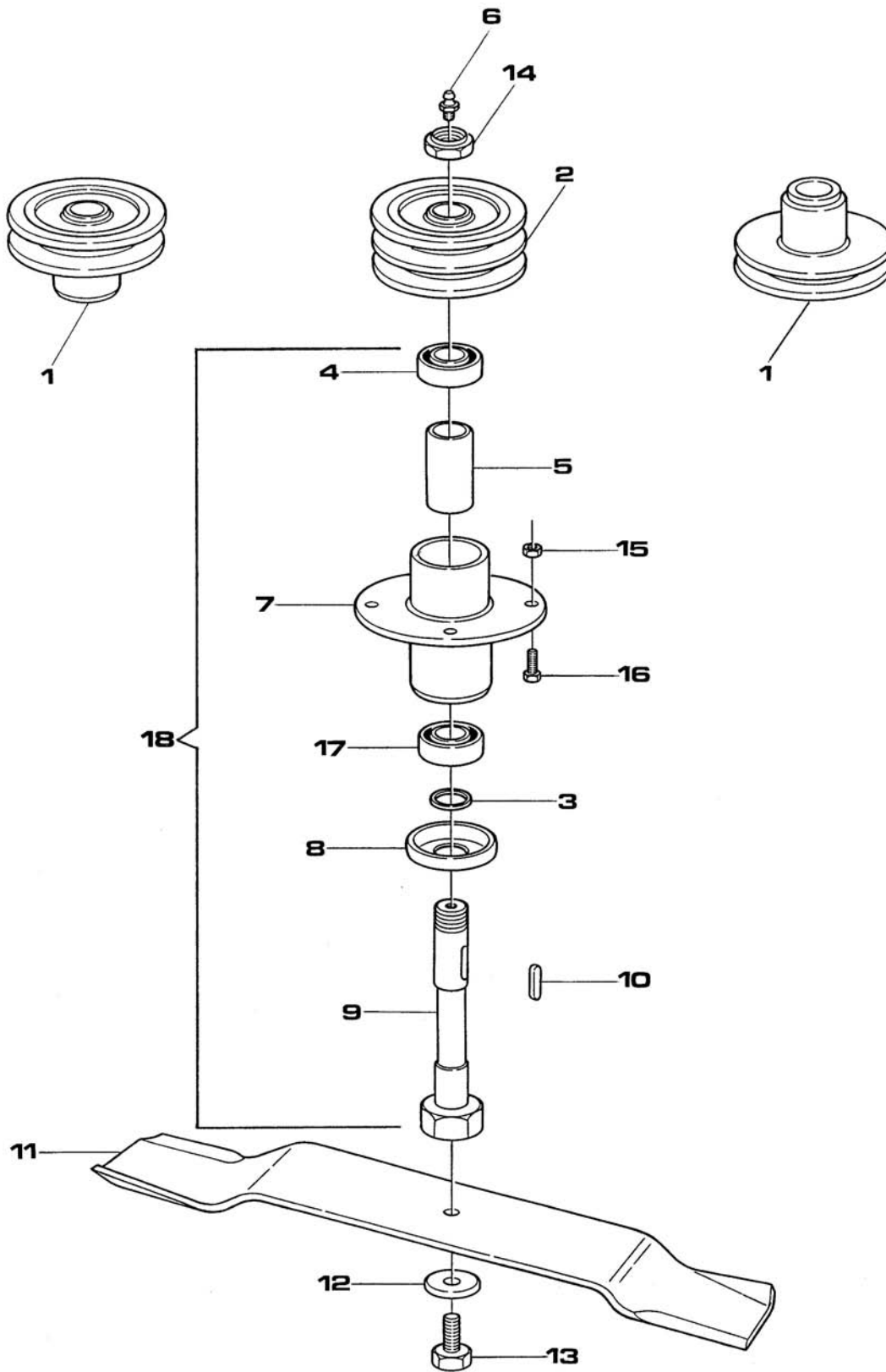
Ref.	Part #	Description	Qty.
1	030-6900	Frame 6' rear discharge; 417-SFL	1
	040-6900	Frame 7' rear discharge; 420-SFL	1
2	002-7436	Wheel arm hex, 6' frame; 417-SFL	2
	002-7546	Wheel arm hex, 7' frame; 420-SFL	2
3	006-7371	Wheel yoke round shaft, 13" air tire	2
4	004-4129	Spacer 1" round for round shaft	6
5	004-4130	Spacer ½" round for round shaft	2
6	006-7311	Spacer ¼" round for round shaft	4
7	002-7451	Wheel yoke hex shaft, 13" air tire	2
8	005-8555	Spacer 1" round for hex shaft; Ver. D & below	6
	005-8560	Spacer 1" hex for hex shaft; Ver. E & above	6
9	005-8556	Spacer ½" round for hex shaft; Ver. D & below	2
	005-8561	Spacer ½" hex for hex shaft; Ver. E & above	2
10	005-8557	Spacer ¼" round for hex shaft; Ver. D & below	4
	005-8562	Spacer ¼" hex for hex shaft; Ver. E & above	4
11	000-8783	Pin SP, wheel yoke	4
12	000-1065	Grease fitting M10-1.00	2
13	008-4673	Wheel 13" air tire, complete; Ver. D (#262938) & below <sup>10</sup>	4
	002-3929A	Bearing needle, air tire; Ver. D (#262938) & below (not shown)	8
	002-3930A	Retainer, wheel air tire; Ver. D (#262938) & below (not shown)	8
	006-7402	Wheel 13" air tire, complete; Ver. E (#262939) & above	4
	005-1706	Bearing 6205-2RS; Ver. E (#262939) & above (not shown)	8
	004-4134	Wheel cover, air tire; Ver. E (#262939) & above (not shown)	8
14	006-7377	Bushing, wheel 13" air tire; Ver. D (#262938) & below	4
	006-7412	Bushing, wheel 13" air tire; Ver. E (#262939) & above	4
15	002-3911	Bolt HH M20-2.50x230 C8.8 Z P	4
16	000-5507	Nut PT M20-2.50 C6 TK Z	4
17	000-5524	Washer flat Ø33 Z	2
18	000-9622	Support, front roller; Ver. I (#269878) & below	1
	006-7354	Support, front roller; Ver. L (#269879) & above	1
19	006-7358	Front roller Ø3"	1
20	006-7363	Roller pin; Ver. I (#269878) & below	1
	006-7365	Roller pin; Ver. L (#269879) & above	1
21	000-2034	Washer flat Ø10 W	4
22	001-1328	Nut PT M08-1.25 C6 Z TK	1
23	003-0156	Nut PT M10-1.50 C6 TK Z	20
24	003-0157	Washer fender Ø10 Z	16
25	000-6349	Bolt HH M10-1.50x20 C8.8 Z F	4
26	000-8568	Washer flat Ø16 W	2
27	000-9159	Washer flat Ø36 Y	2
28	006-7414	Spacer, wheel 13" air tire; Ver. E (#262939) & above	8
29	004-6454	Bolt HH M08-1.25x16 C8.8 Z F	1

<sup>10</sup> Wheel no longer available, part #006-7402 should be ordered instead. Ver. D (#262938) and below must also order two (2) outer wheel spacers 006-7414 and one (1) bushing 006-7412 when replacing wheel.

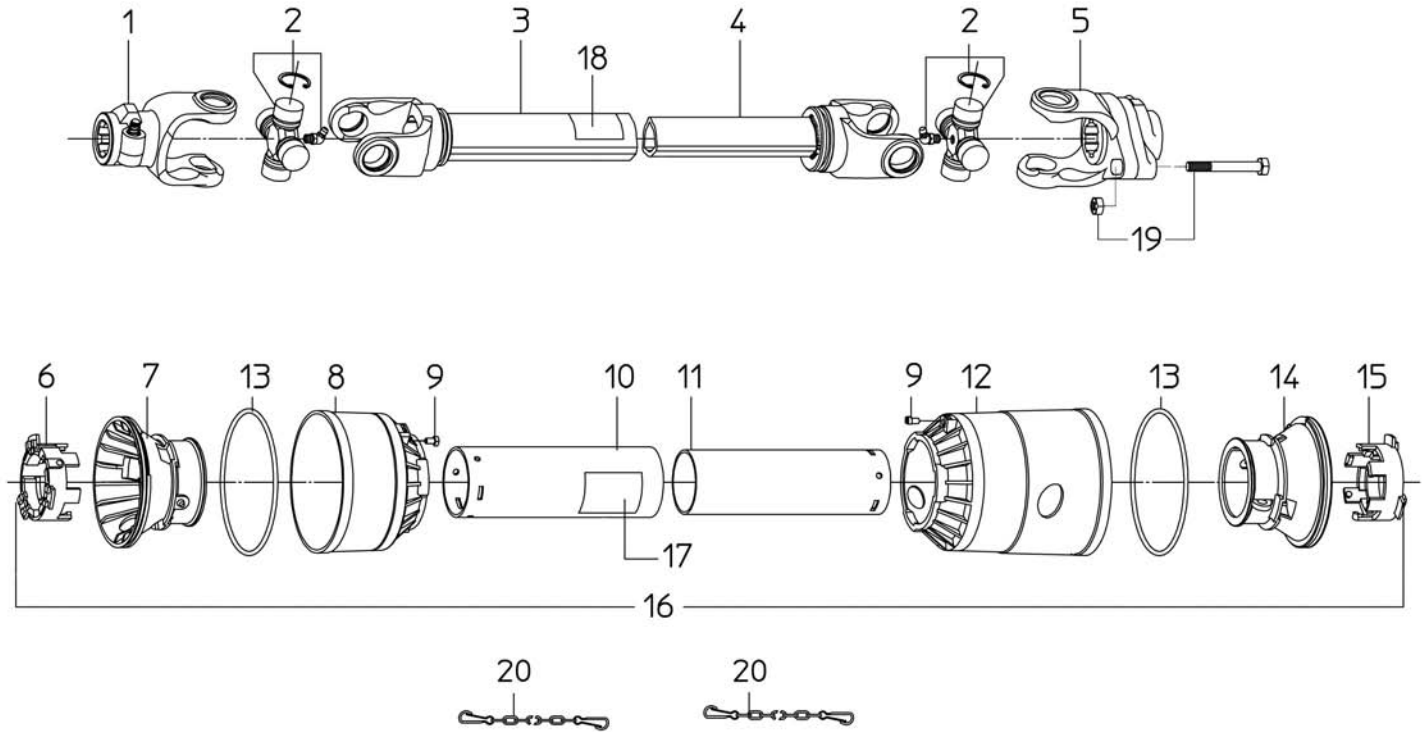


Ref.	Part #	Description	Qty.
1	005-8479	Pinion gear, helical gears	1
2	001-2149A	Bearing 6208	2
3	000-6687	Spacer	1
4	000-1154	Snap ring, inner Ø80	1
5	000-6685	Shim Ø40x50x2.5	1
6	000-8138	Snap ring, outer Ø40	1
7	000-6684	Oil seal 40.80.10 TC	1
8	000-6698	Nut SP M25-1.50 Z	1
9	000-2295	Oil seal 35.62.10 TC	1
10	002-5332A	Bearing 6207	1
11	005-8464	Input shaft	1
12	000-6689	Key 7x8x30	1
13	000-6661	Rear spacer (until 09/00)	1
14	005-8472A	Bearing 30206	1
15	000-6692	Pulley SPB 250x2	1
16	000-1107A	Breather cap	1
17	000-6656	Gear cover, gearbox housing	1
18	005-8477	Ring gear, helical gears	1
19	003-0064	Nut PT M12-1.75 C6 TK Z	4
20	000-6541	Support plate, gearbox	1
21	000-6658	Housing, gearbox	1
22	007-4183	Bolt CS M12-1.75x40 C10.9 Z F	4
23	000-6349	Bolt HH M10-1.50x20 C8.8 Z F	6
24	003-0193	Gasket 2/10	-
	013-0193	Gasket 5/10	-
25	000-6691	Gasket, aluminum	1
	050-0642	Gearbox 540 rpm helical gears, complete <sup>11</sup>	-

<sup>11</sup> Fill using approx. 44 fl.oz. (1.4 qt.) of SAE 90W gear oil.



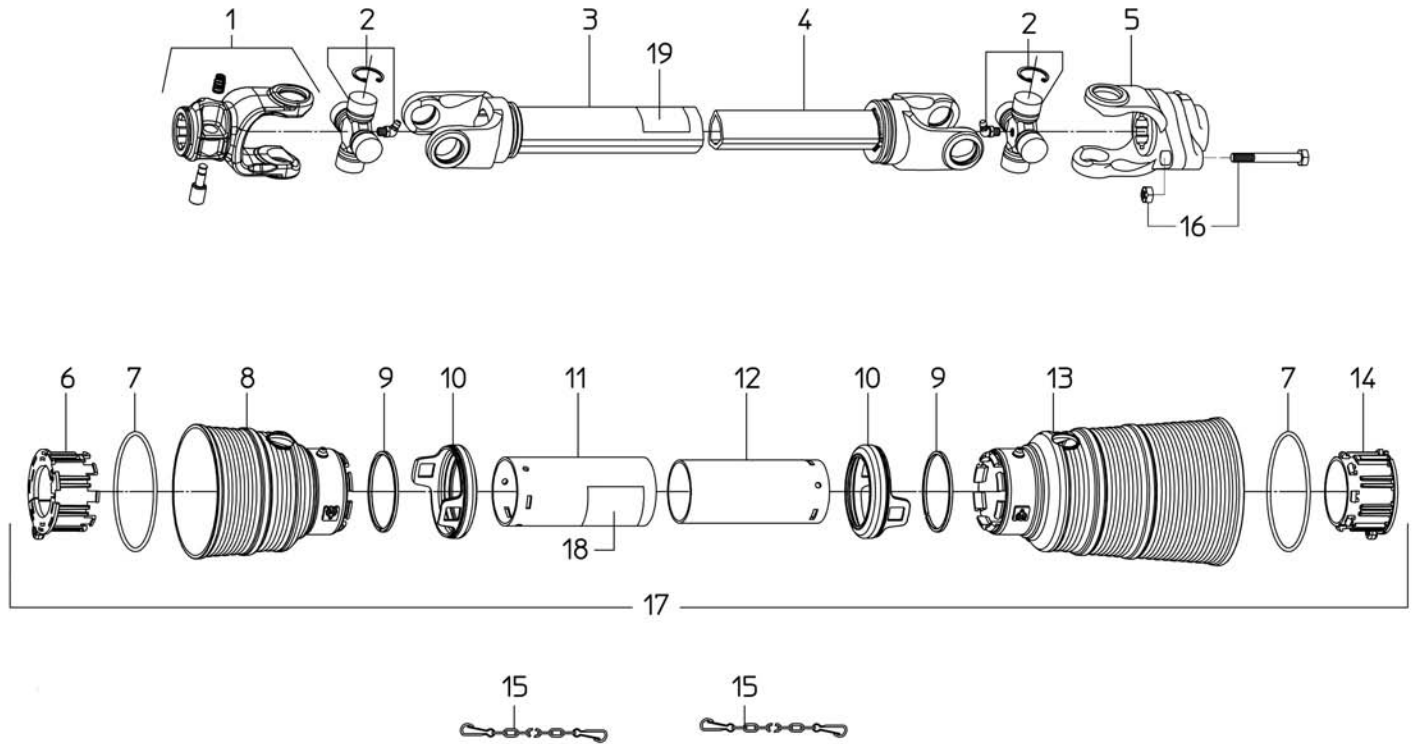
Ref.	Part #	Description	Qty.
1	000-6842	Pulley SPB 160x1 6' frame; 417-SFL	2
	000-6862	Pulley SPB 190x1 7' frame; 420-SFL	2
2	000-6841	Pulley SPB 160x2 6' frame; 417-SFL	1
	000-6861	Pulley SPB 190x2 7' frame; 420-SFL	1
3	000-6606	Shim Ø25x35x2	3
4	000-6634A	Bearing 6205-Z	3
5	000-6640	Spacer, spindle	3
6	002-9036	Grease fitting Ø8, press in	3
7	000-6648	Spindle	3
8	000-6636	Cover	3
9	000-6649	Spindle shaft	3
10	000-6639	Key 8x7x25	3
11	000-6845	Blade standard, 6' frame; 417-SFL	3
	000-6690	Blade standard, 7' frame; 420-SFL	3
	000-6845M	Blade mulching, 6' frame (option); 417-SFL	3
	000-6690M	Blade mulching, 7' frame (option); 420-SFL	3
	000-6845B	Blade high lift, 6' frame (option); 417-SFL	3
	000-6690B	Blade high lift, 7' frame (option); 420-SFL	3
	000-6845F	Blade flat, 6' frame (option); 417-SFL	3
	000-6690F	Blade flat, 7' frame (option); 420-SFL	3
12	000-8560	Washer conical spring Ø18 Z	3
13	000-6659	Bolt blade SP M14-1.50x32	3
14	000-6698	Nut SP M25-1.50 Z	3
15	003-0156	Nut PT M10-1.50 C6 TK Z	12
16	000-1278	Bolt HH M10-1.50x30 C8.8 Z F	12
17	000-6626A	Bearing 6205-ZZ	3
18	000-6629C	Spindle assembly	-



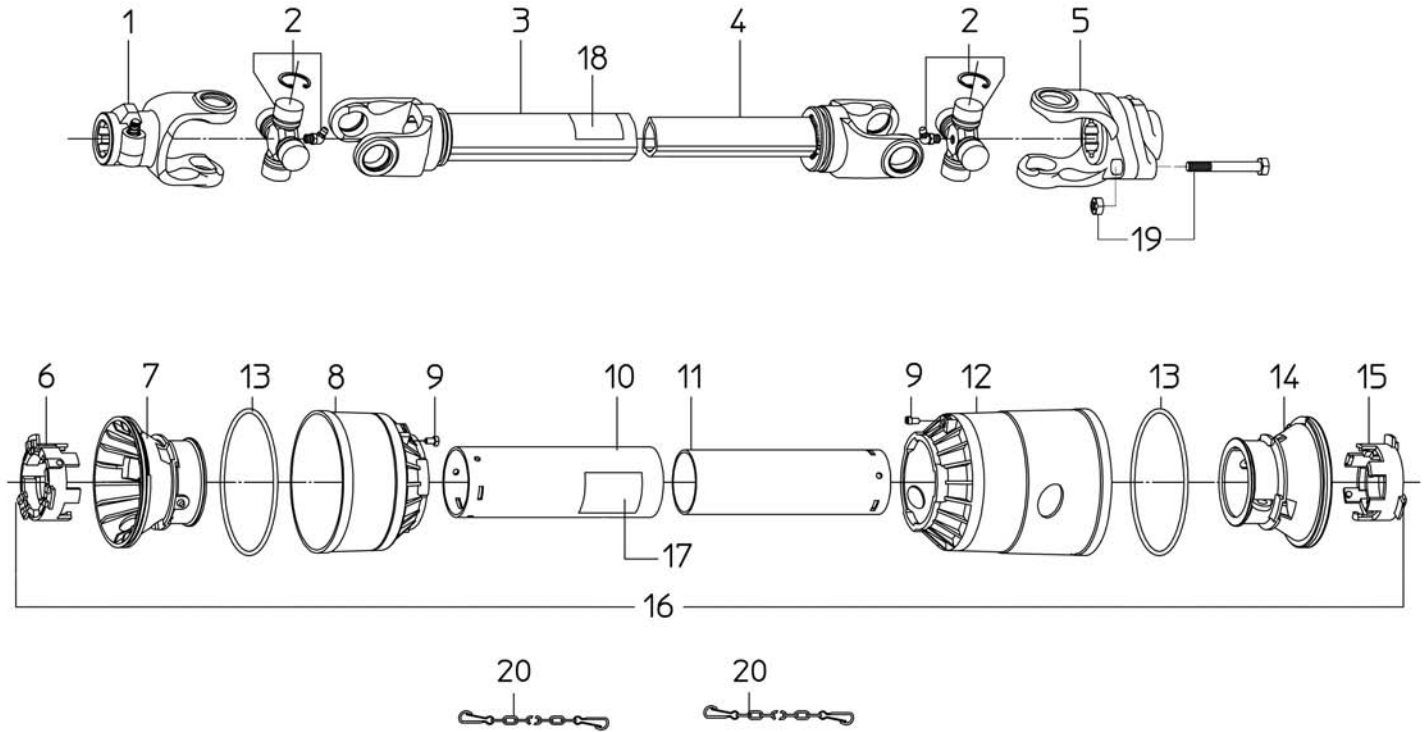
Ref.	Part #	Description	Qty.
1	1023010C	PTO yoke	1
2	1003020C	Cross w/bearing	2
3	1943070NC	Outer tube w/yoke	1
4	1953072NC	Inner tube w/yoke	1
5	1023010C	Yoke; Ver. H & below	1
	1483037C	Yoke w/shear bolt; Ver. I & above	1
6	1784210C	Locking ring, outer tube; #272165 & below	1
7	1784201C	Rigid cone, outer tube; #272165 & below	1
8	1784203C	Standard cone; #272165 & below	1
9	1784212C	Pin; #272165 & below	2
10	1773068C	Shield, outer tube	1
11	1872068C	Shield, inner tube	1
12	1784205C	Long cone; #272165 & below	1
13	1213233C	Stiffening ring; #272165 & below	2
14	1784202C	Rigid cone, inner tube; #272165 & below	1
15	1784211C	Locking ring, inner tube; #272165 & below	1
16	90SL4068C	Shield, complete <sup>12</sup>	1
17	950-463B	Decal "DANGER - Rotating driveline, keep away" outer shield	1
18	950-464B	Decal "DANGER - Guard missing, do not operate" outer tube	1
19	000-508E	Shear bolt; Ver. I & above	1
20	1006065C	Chain, anti-rotation	2
	050-0415	Driveline, complete; Ver. H & below	-
	050-0477	Driveline w/shear bolt, complete; Ver. I & above	-

<sup>12</sup> Complete shielding is interchangeable with part #96SL4068C.



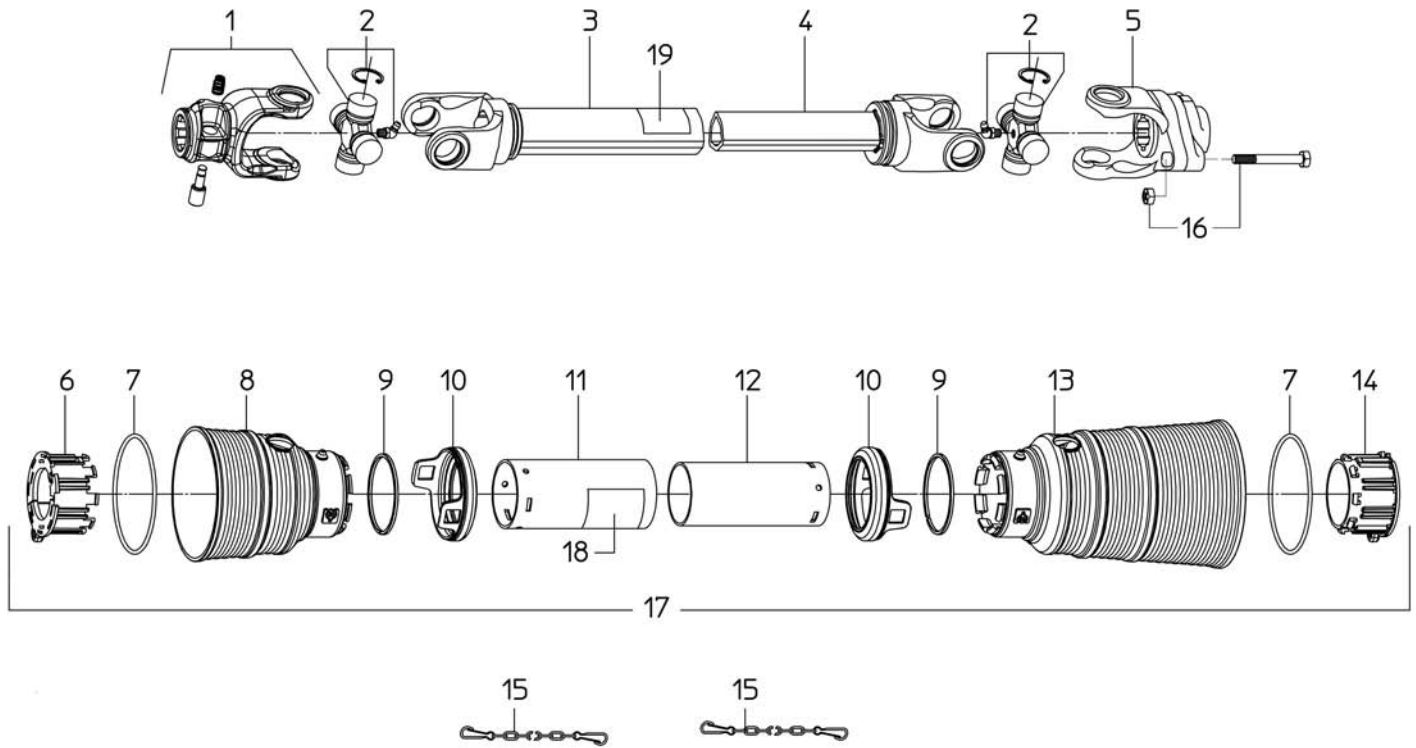


Ref.	Part #	Description	Qty.
1	1023010C	PTO yoke	1
2	1003020C	Cross w/bearing	2
3	1943070NC	Outer tube w/yoke	1
4	1953072NC	Inner tube w/yoke	1
5	1483037C	Yoke w/shear bolt	1
6	1784710C	Locking ring, outer tube; #272166 & above	1
7	1211733C	Stiffening ring; #272166 & above	2
8	1781703C	Standard cone; #272166 & above	1
9	1211735C	Safety ring; #272166 & above	2
10	1881709C	Safety sleeve; #272166 & above	2
11	1773068C	Shield, outer tube	1
12	1872068C	Shield, inner tube	1
13	1781704C	Long cone; #272166 & above	1
14	1784711C	Locking ring, inner tube; #272166 & above	1
15	1006065C	Chain, anti-rotation	2
16	000-508E	Shear bolt	1
17	96SL4068C	Shield, complete	1
18	950-463B	Decal "DANGER - Rotating driveline, keep away" outer shield	1
19	950-464B	Decal "DANGER - Guard missing, do not operate" outer tube	1
	050-0477	Driveline w/shear bolt, complete	-

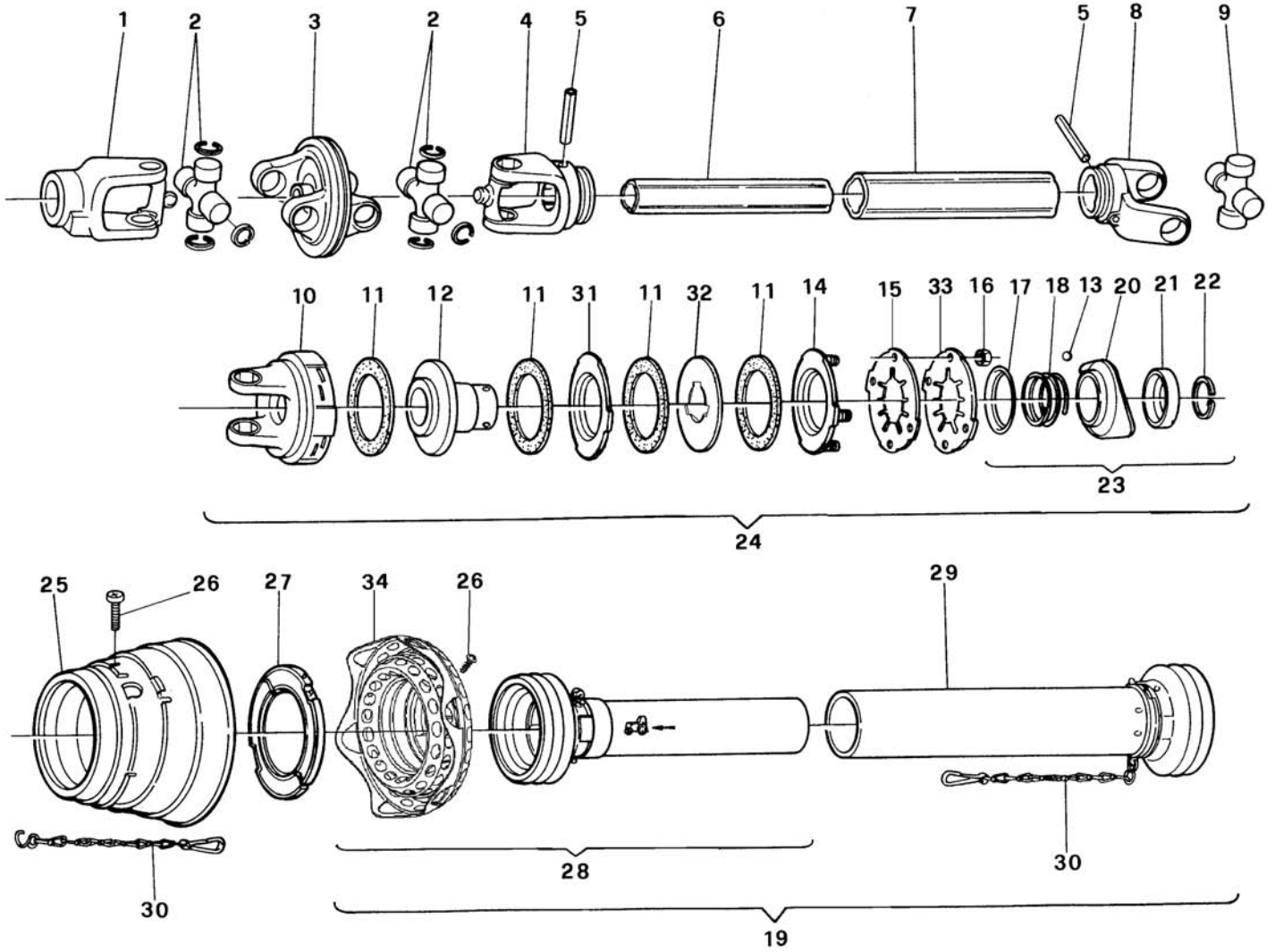


Ref.	Part #	Description	Qty.
1	1023010C	PTO yoke	1
2	1003020C	Cross w/bearing	2
3	1943087NC	Outer tube w/yoke	1
4	1953089NC	Inner tube w/yoke	1
5	1023010C	Yoke; Ver. H & below	1
	1483037C	Yoke w/shear bolt; Ver. I & above	1
6	1784210C	Locking ring, outer tube; #289194 & below	1
7	1784201C	Rigid cone, outer tube; #289194 & below	1
8	1784203C	Standard cone; #289194 & below	1
9	1784212C	Pin; #289194 & below	2
10	1773085C	Shield, outer tube	1
11	1872085C	Shield, inner tube	1
12	1784205C	Long cone; #289194 & below	1
13	1213233C	Stiffening ring; #289194 & below	2
14	1784202C	Rigid cone, inner tube; #289194 & below	1
15	1784211C	Locking ring, inner tube; #289194 & below	1
16	90SL4085C	Shield, complete <sup>13</sup>	1
17	950-463B	Decal "DANGER - Rotating driveline, keep away" outer shield	1
18	950-464B	Decal "DANGER - Guard missing, do not operate" outer tube	1
19	000-508E	Shear bolt; Ver. I & above	1
20	1006065C	Chain, anti-rotation	2
	050-0464	Driveline, complete; Ver. H & below	-
	050-0478	Driveline w/shear bolt, complete; Ver. I & above	-

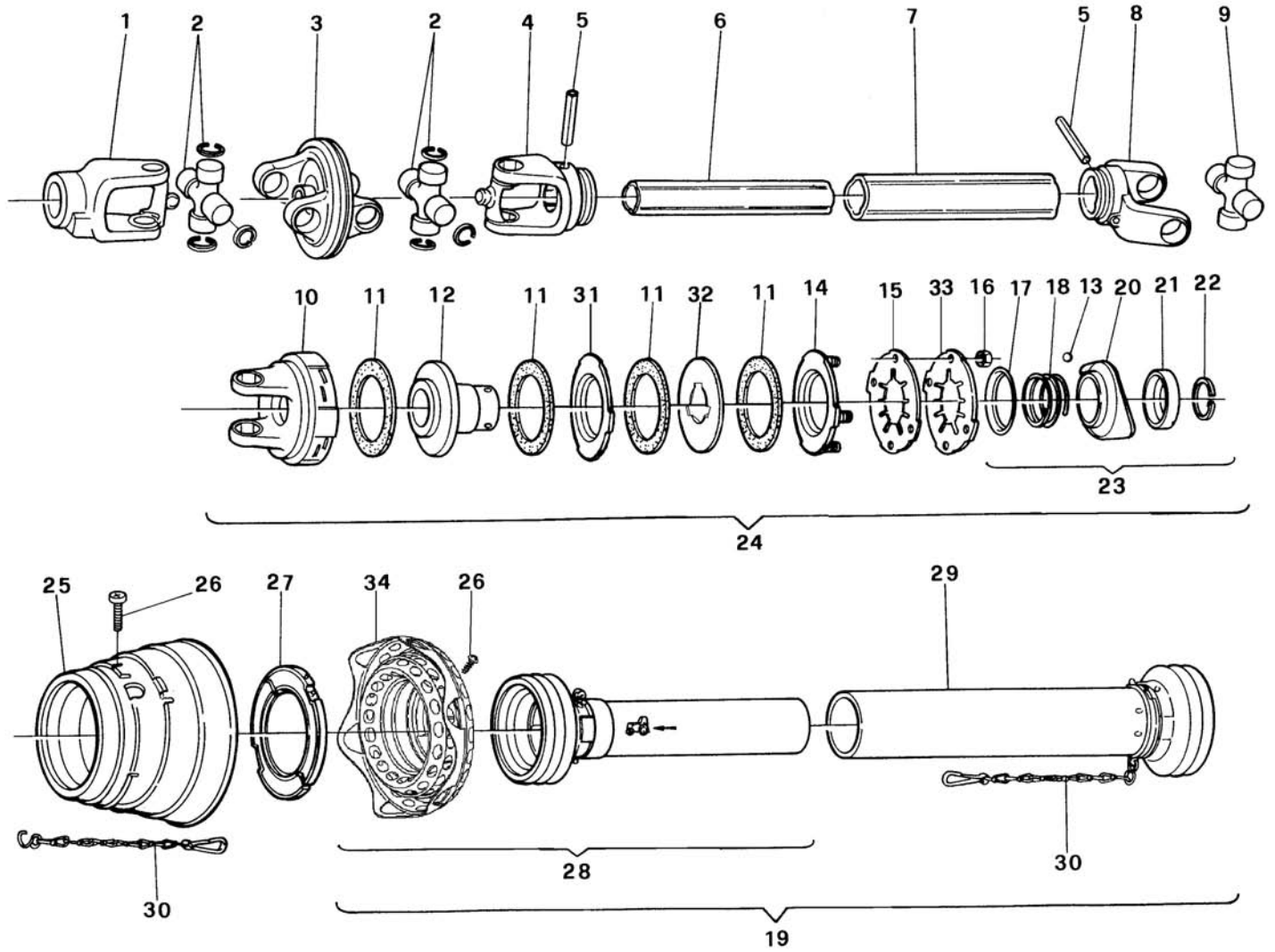
<sup>13</sup> Complete shielding is interchangeable with part #96SL4085C.



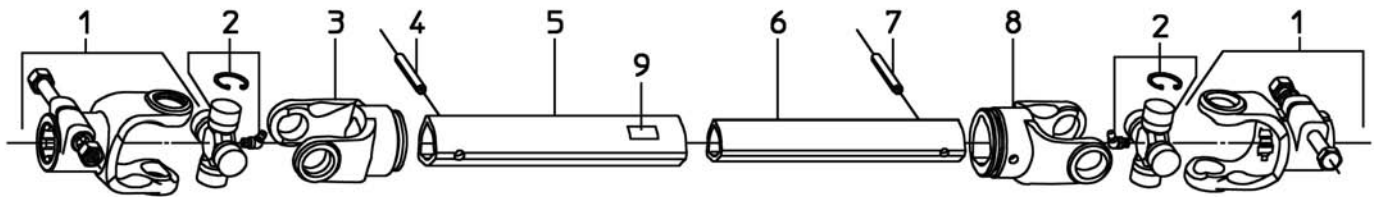
Ref.	Part #	Description	Qty.
1	1023010C	PTO yoke	1
2	1003020C	Cross w/bearing	2
3	1943087NC	Outer tube w/yoke	1
4	1953089NC	Inner tube w/yoke	1
5	1483037C	Yoke w/shear bolt	1
6	1784710C	Locking ring, outer tube; #289195 & above	1
7	1211733C	Stiffening ring; #289195 & above	2
8	1781703C	Standard cone; #289195 & above	1
9	1211735C	Safety ring; #289195 & above	2
10	1881709C	Safety sleeve; #289195 & above	2
11	1773085C	Shield, outer tube	1
12	1872085C	Shield, inner tube	1
13	1781704C	Long cone; #289195 & above	1
14	1784711C	Locking ring, inner tube; #289195 & above	1
15	1006065C	Chain, anti-rotation	2
16	000-508E	Shear bolt	1
17	96SL4085C	Shield, complete	1
18	950-463B	Decal "DANGER - Rotating driveline, keep away" outer shield	1
19	950-464B	Decal "DANGER - Guard missing, do not operate" outer tube	1
	050-0478	Driveline w/shear bolt, complete	-



Ref.	Part #	Description	Qty.
1	341579W	PTO yoke; Ver. C & below	1
	135299W	PTO yoke; Ver. D & above	1
2	342221W	Cross w/bearing; Ver. C & below	2
	135075W	Cross w/bearing; Ver. D & above	2
3	365722W	Double yoke	1
4	341586W	Yoke, inner tube; Ver. C & below	1
	134713W	Yoke, inner tube; Ver. D & above	1
5	003-2204	Roll pin	2
6	095400W	Inner tube; Ver. C & below	1
	135895W	Inner tube; Ver. D & above	1
7	096890W	Outer tube; Ver. C & below	1
	135897W	Outer tube; Ver. D & above	1
8	019519W	Yoke, outer tube	1
9	312410W	Cross & bearing	1
10	321715W	Clutch housing; Ver. B & below	1
	320527W	Clutch housing; Ver. C & above	1
11	168556W	Friction disc	4
12	051551W	Rotor; Ver. B & below	1
	051554W	Rotor; Ver. C & above	1
13	020692W	Lock roller	3
14	381495W	Thrust plate	1
15	043489W	Disc spring	1
16	381957W	Nut	4
17	047825W	Back up ring	1
18	045793W	Spring	1
19	142912W	Shield, complete; Ver. B & below	1
	118974W	Shield, complete; Ver. C only	1
	693520W	Shield, complete; Ver. D & above	1
20	045790W	Bushing	1
21	338531W	Back up ring	1
22	304149W	Snap ring	1
23	341953W	Quick disconnecting lock	1
24	321714W	Slip clutch, complete; Ver. B & below	1
	321166W	Slip clutch, complete; Ver. C only	1
	351045W	Slip clutch, complete; Ver. D & above	1
25	172717W	Protection; Ver. C & below	1
	129928W	Protection; Ver. D & above	1
26	365305W	Bolt	10
27	172715W	Bearing ring	1
28	183570W	Shield, outer tube; Ver. B & below	1
	107654W	Shield, outer tube; Ver. C only	1
	116475W	Shield, outer tube; Ver. D & above	1
29	368508W	Shield, inner tube; Ver. B & below	1
	375620W	Shield, inner tube; Ver. C & above	1
30	044321W	Chain, anti-rotation	2
31	042454W	Drive plate	1
32	042459W	Drive plate	1
33	088193W	Disc spring; Ver. C & below	1
	043487W	Disc spring; Ver. D & above	1
34	134847W	Guard cone; Ver. D & above	1

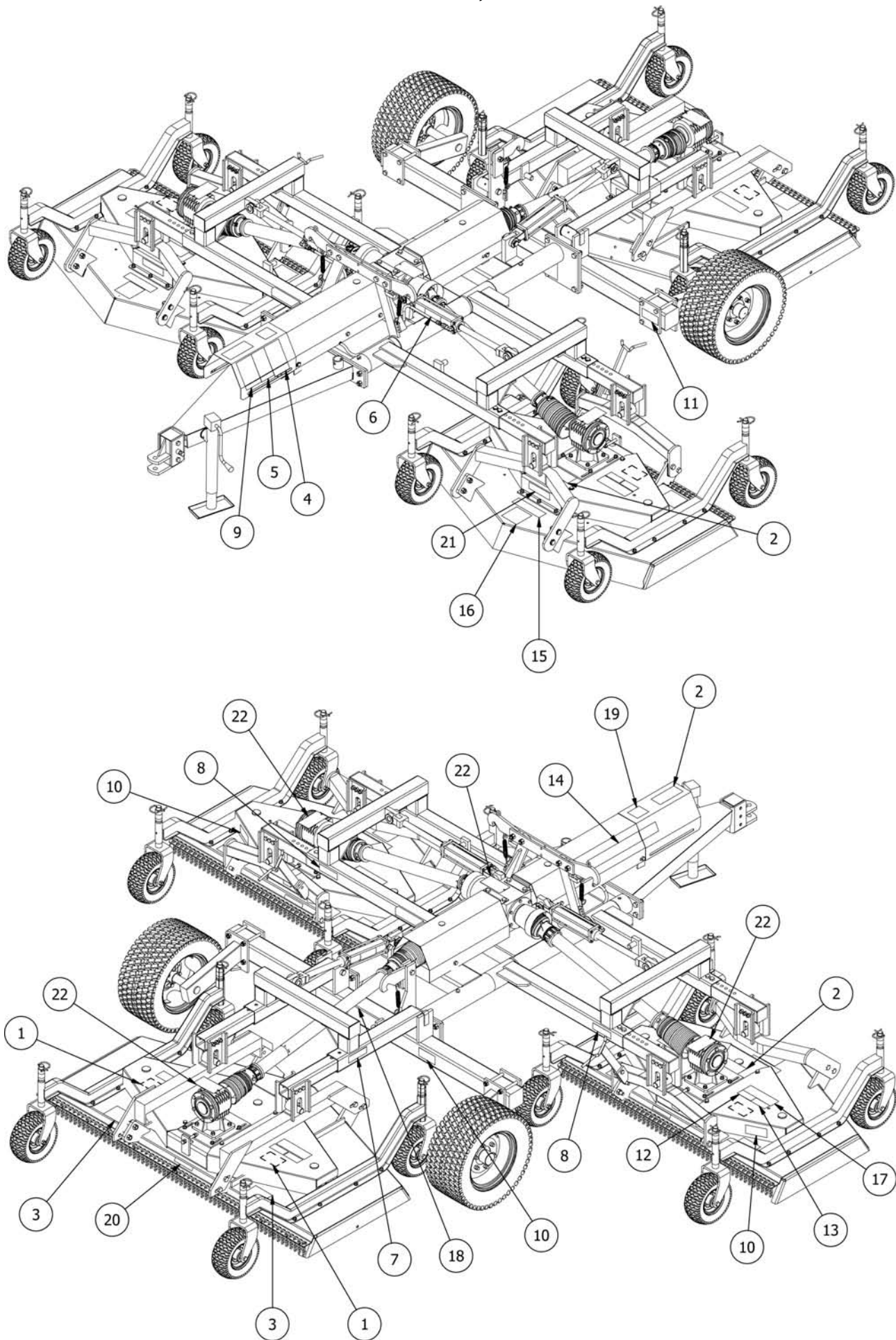


Ref.	Part #	Description	Qty.
	050-0036	Main driveline, complete; Ver. B & below	-
	050-0041	Main driveline, complete; Ver. C only	-
	050-0043	Main driveline, complete; Ver. D & above	-
	950-463B	Decal "DANGER - Rotating driveline, keep away" outer shield	1
	950-464B	Decal "DANGER - Guard missing, do not operate" outer tube	1

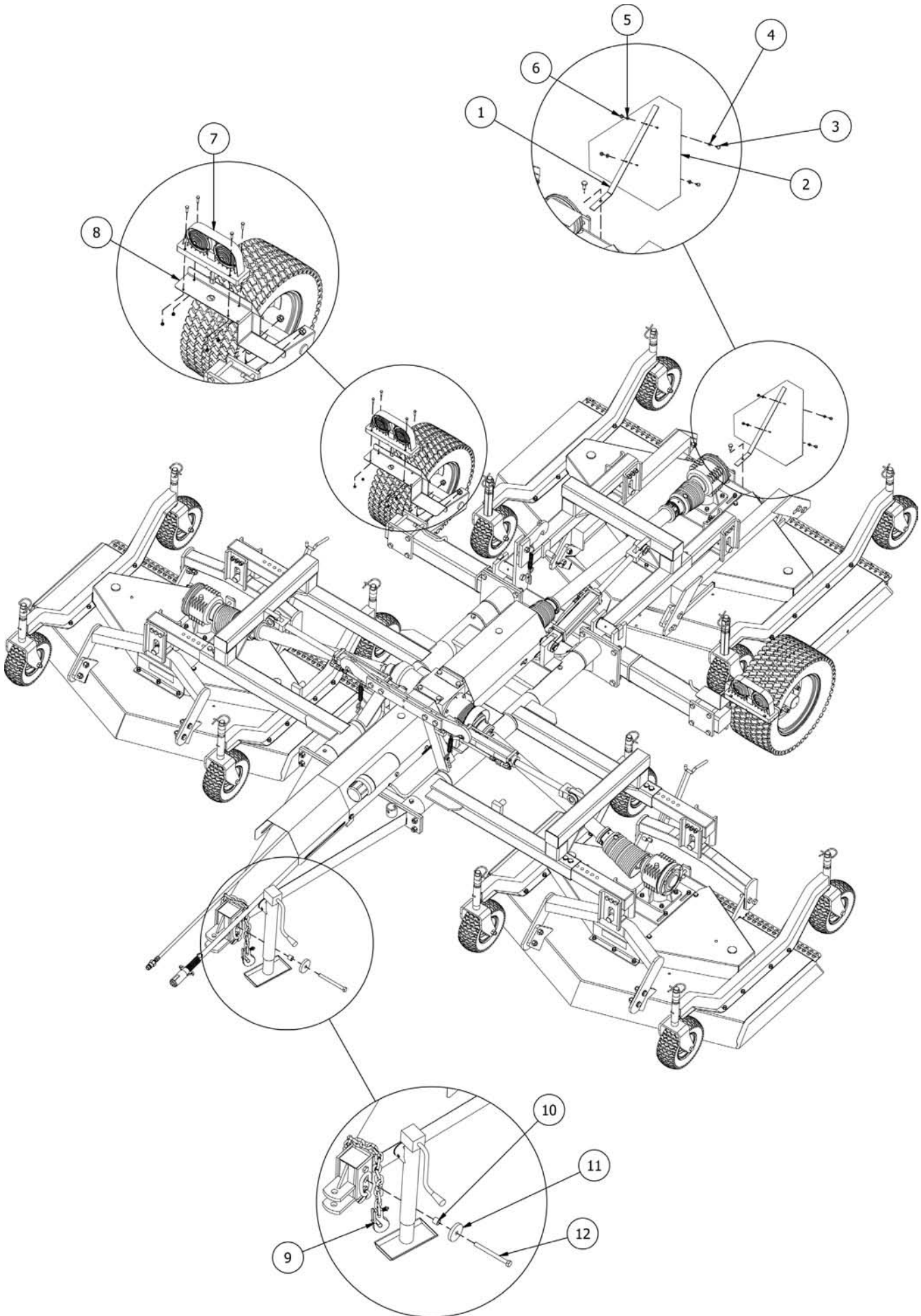




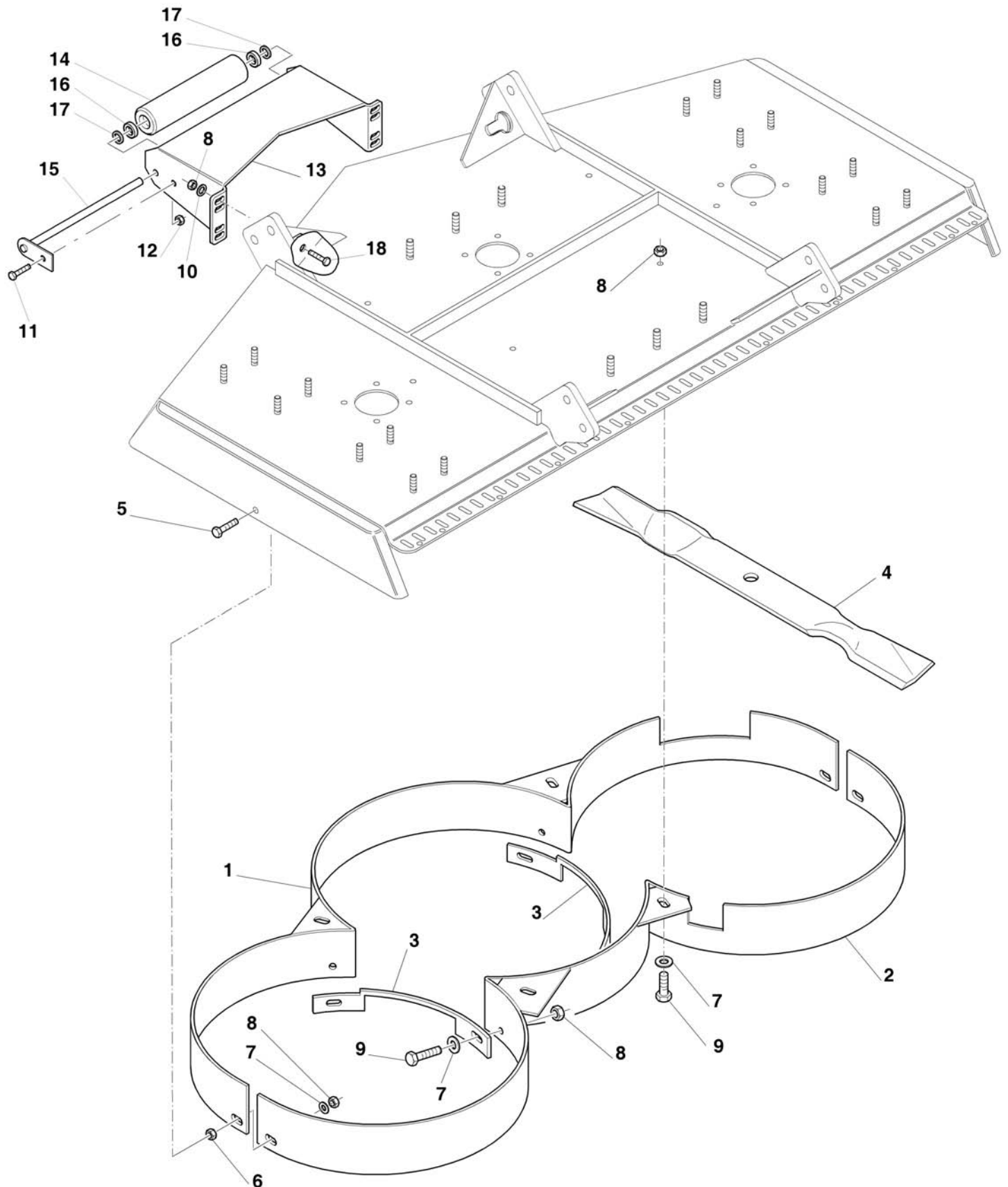
Ref.	Part #	Description	Qty.
1	1106010C	PTO yoke	2
2	1006020C	Cross w/bearing	2
3	1706027C	Yoke, outer tube	1
4	003-2204	Roll pin Ø10x80	1
5	1528034C	Outer tube	1
6	1526034C	Inner tube	1
7	000-016E	Roll pin Ø10x70	1
8	1706029C	Yoke, inner tube	1
9	950-464B	Decal "DANGER - Guard missing, do not operate", outer tube	1
	050-0486	Inner PTO shaft, complete; Ver. I & above	1



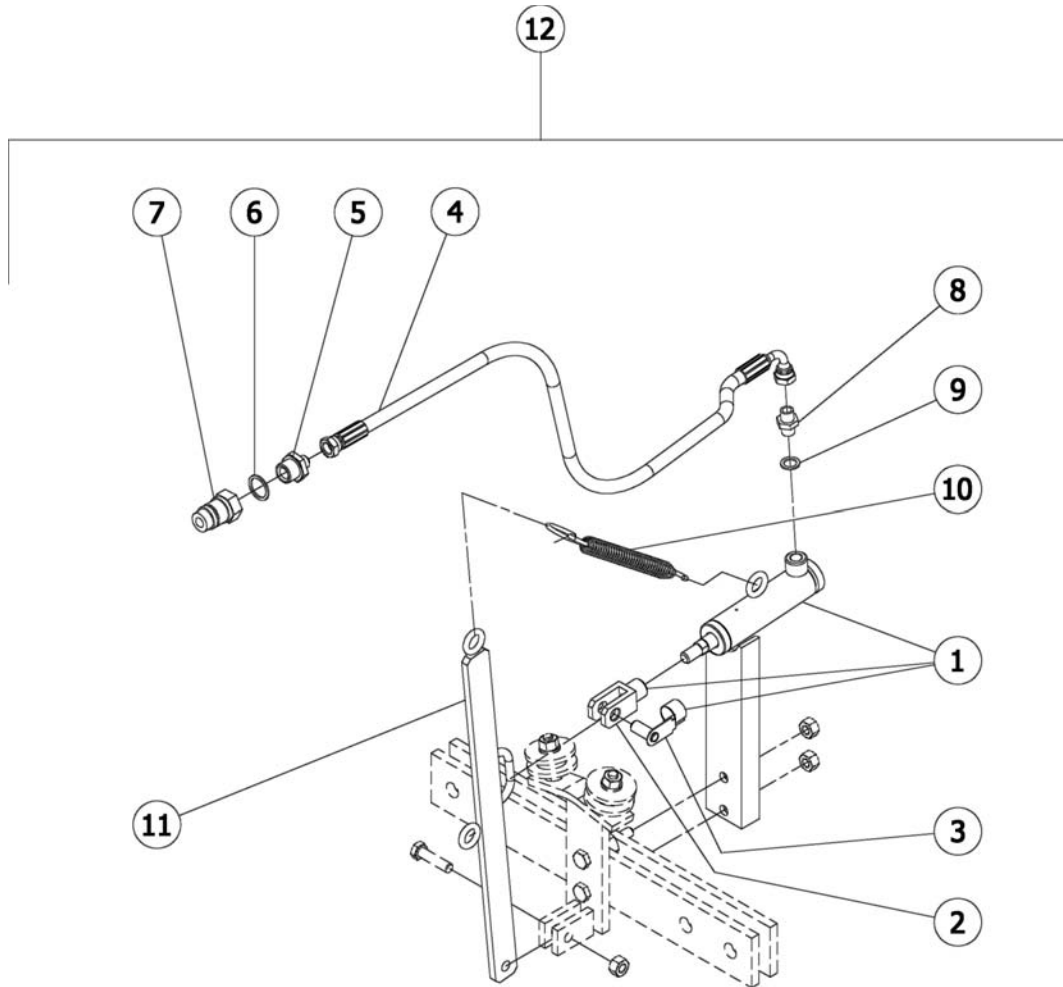
Ref.	Part #	Description	Qty.
1	950-213B	Decal "Danger replace shields", (placed under belt shields)	6
2	950-109B	Decal "Danger PTO"	4
3	950-818B	Decal "Danger rotating blades"	6
4	950-406B	Decal "Warning falling & ROPS"	1
5	950-407B	Decal "Warning crush & pinch"	1
6	950-408B	Decal "Warning high pressure"	3
7	950-409B	Decal "Warning rear raised"	2
8	950-410B	Decal "Warning side raised"	2
9	950-111B	Decal "Caution avoid injury"	1
10	950-366B	Decal "Red reflective"	4
11	950-405B	Decal "Yellow reflective"	1
12	950-235B	Decal "C50"	3
13	950-816B	Decal "SF6"; 417-SFL	3
	950-817B	Decal "SF7"; 420-SFL	3
14	950-395B	Decal "Cyclone Super-Flex"	1
15	950-298B	Decal "Cyclone"	3
16	950-103B	Decal "B"	3
17	950-106B	Decal "Befco" (2.4"x7.75")	6
18	950-107B	Decal "Befco" (3.75"x12.1")	1
19	950-267B	Decal "Befco patented"	1
20	950-358B	Decal "Made in USA"	3
21	950-381B	Decal "Befco, Inc." address	3
22	950-379B	Tag "check oil"	4
	961-208B	Operator's Manual Cyclone Super-Flex 412, 415, 417, 420-SFL	1
	960-209B	Parts Manual Cyclone Super-Flex 417, 420-SFL	1



Ref.	Part #	Description	Qty.
1	503-868B	Mounting bracket, SMV	1
2	950-352B	Decal "SMV" plastic emblem	1
3	003-6319	Bolt HH M06-1.00x16 C8.8 Z F	2
4	005-0166	Washer flat Ø06 Z	2
5	004-6536	Washer lock Ø06 Z	2
6	501-603B	Nut HH M06-1.00 C6 Z TK	2
7	503-854B	Light kit, complete	1
8	7900003	Rear light kit bracket, right (shown)	1
	7900002	Rear light kit bracket, left	1
9	503-852B	Safety chain	1
10	000-6827	Spacer	1
11	009-1028	Block washer	1
12	000-6619	Bolt HH M14-2.00x150 C8.8 Z P	1
	009-9599	Road transport kit, complete	-



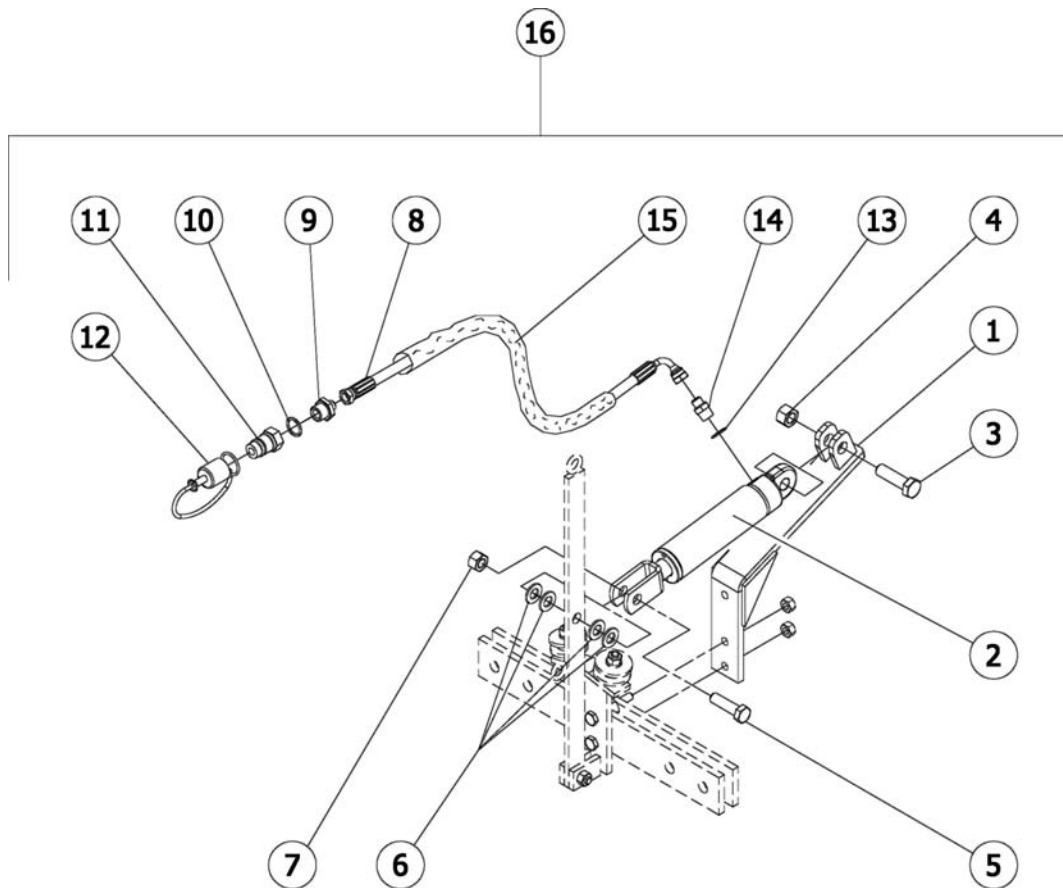
Ref.	Part #	Description	Qty.
1	000-6784	Baffling front, 6' frame; 417-SFL	1
	000-6801	Baffling front, 7' frame; 420-SFL	1
2	000-6778	Baffling rear, 6' frame; 417-SFL	1
	000-6806	Baffling rear, 7' frame; 420-SFL	1
3	000-6780	Guard support, 6' frame; 417-SFL	2
	000-6865	Guard support, 7' frame; 420-SFL	2
4	000-6845M	Blade mulching, 6' frame; 417-SFL	3
	000-6690M	Blade mulching, 7' frame; 420-SFL	3
5	009-1281	Bolt HH M10-1.50x35 C8.8 Z F	2
6	000-3038	Nut HH M12-1.75 C6 Z TK	2
7	003-0157	Washer fender Ø10 Z	-
8	003-0156	Nut PT M10-1.50 C6 TK Z	-
9	000-6349	Bolt HH M10-1.50x20 C8.8 Z F	-
10	000-2034	Washer flat Ø10 W	4
11	001-5012	Bolt HH M08-1.25x20 C8.8 Z F	1
12	001-1328	Nut PT M08-1.25 C6 Z TK	1
13	005-8500	Support, front roller (pro roller only)	1
14	005-8507	Front roller (pro roller only)	1
15	005-8504	Roller pin (pro roller only)	1
16	005-8508	Bearing 6202-2RS	2
17	005-8503	Shim Ø17x24x1.5	2
18	003-3176	Bolt HH M10-1.50x25 C8.8 Z F	4
	006-700	Mulching kit 6' frame, complete, 1 unit	-
	007-700	Mulching kit 7' frame, complete, 1 unit	-
	009-9558	Mulching kit, complete, 3 units; 417-SFL	-
	009-9559	Mulching kit, complete, 3 units; 420-SFL	-
	009-9815	Professional front roller, complete, 1 unit	-
	009-9816	Professional front roller, complete, 3 units	-





Ref.	Part #	Description	Qty.
1	002-3962	Hydraulic cylinder <sup>14</sup>	1
2	001-7221	Yoke M12, hydraulic cylinder	1
3	002-3964	Fixing pin Ø12, hydraulic cylinder	1
4	005-7111	Hydraulic hose R1 1/4"x2300 mm.	1
5	008-2488	Adaptor STR 1/4" MBSPPx1/2" MBSPP	1
6	003-6532	Washer copper sealing 1/2"	1
7	004-1871	1/2" Male quick coupler 1/2" FBSPP	1
8	008-2484	Adaptor STR 1/4" MBSPPx1/4" MBSPP	1
9	005-2438	Washer copper sealing 1/4"	1
10	005-1740	Spring	1
11	000-9740	Unlocking handle, hydraulic kit	1
12	009-9552	Hydraulic unlocking kit, complete	1

<sup>14</sup> Hydraulic cylinder no longer available, new hydraulic unlocking kit #009-9817 should be ordered instead



Ref.	Part #	Description	Qty.
1	005-8760	Mounting bracket, cylinder	1
2	005-8765	Hydraulic cylinder	1
3	003-3218	Bolt HH M16-2.00x55 C8.8 Z P	1
4	000-5581	Nut PT M16-2.00 C6 Z TK	1
5	002-9317	Bolt HH M14-2.00x50 C8.8 Z F	1
6	009-1435	Washer flat Ø14 Z	4
7	003-0358	Nut PT M14-2.00 C6 Z TK	1
8	005-7111	Hydraulic hose R1 1/4"x2300 mm.	1
9	008-2488	Adaptor STR 1/4" MBSPPx1/2" MBSPP	1
10	003-6532	Washer copper sealing 1/2"	1
11	004-1871	1/2" Male quick coupler 1/2" FBSPP	1
12	006-3396	Rubber cap, quick coupler	1
13	004-1866	Washer copper sealing 3/8"	1
14	003-5670	Adaptor STR 1/4" MBSPPx3/8" MBSPP	1
15	005-8768	Sleeve, hydraulic hose	1
16	009-9817	Hydraulic unlocking kit, complete	1

## Use only original spare parts

*All rights reserved. It is unlawful to copy, reprint or use any of the information or details in this manual without the expressed written permission of the Company. Technical information provided in this manual is approximate, the Company reserves the right to modify or improve the models shown for technical or commercial purposes. Pictures in this manual do not necessarily show the machine as delivered.*

---

**BEFCO**<sup>®</sup>

P.O. Box 6036  
Rocky Mount, NC 27802-6036  
Tel.: 252.977.9920 - Fax: 252.977.9718  
[www.befco.com](http://www.befco.com)

