

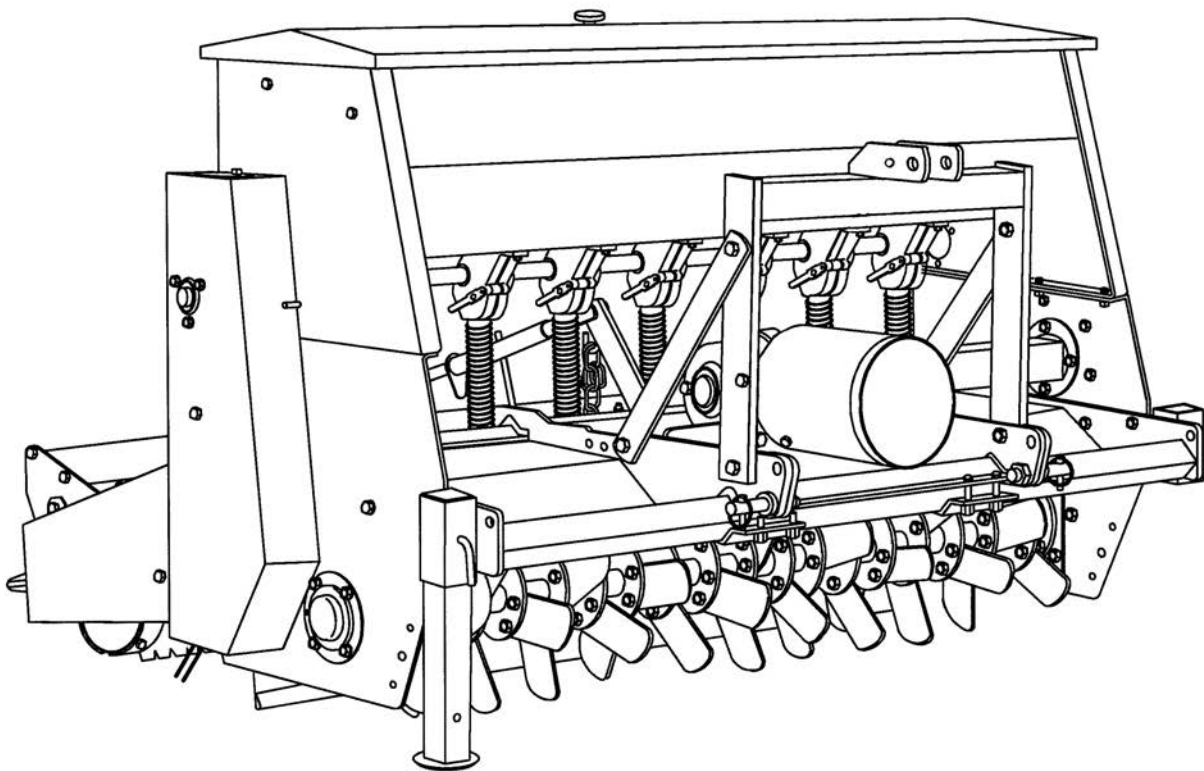
BEFCO®

Parts Manual

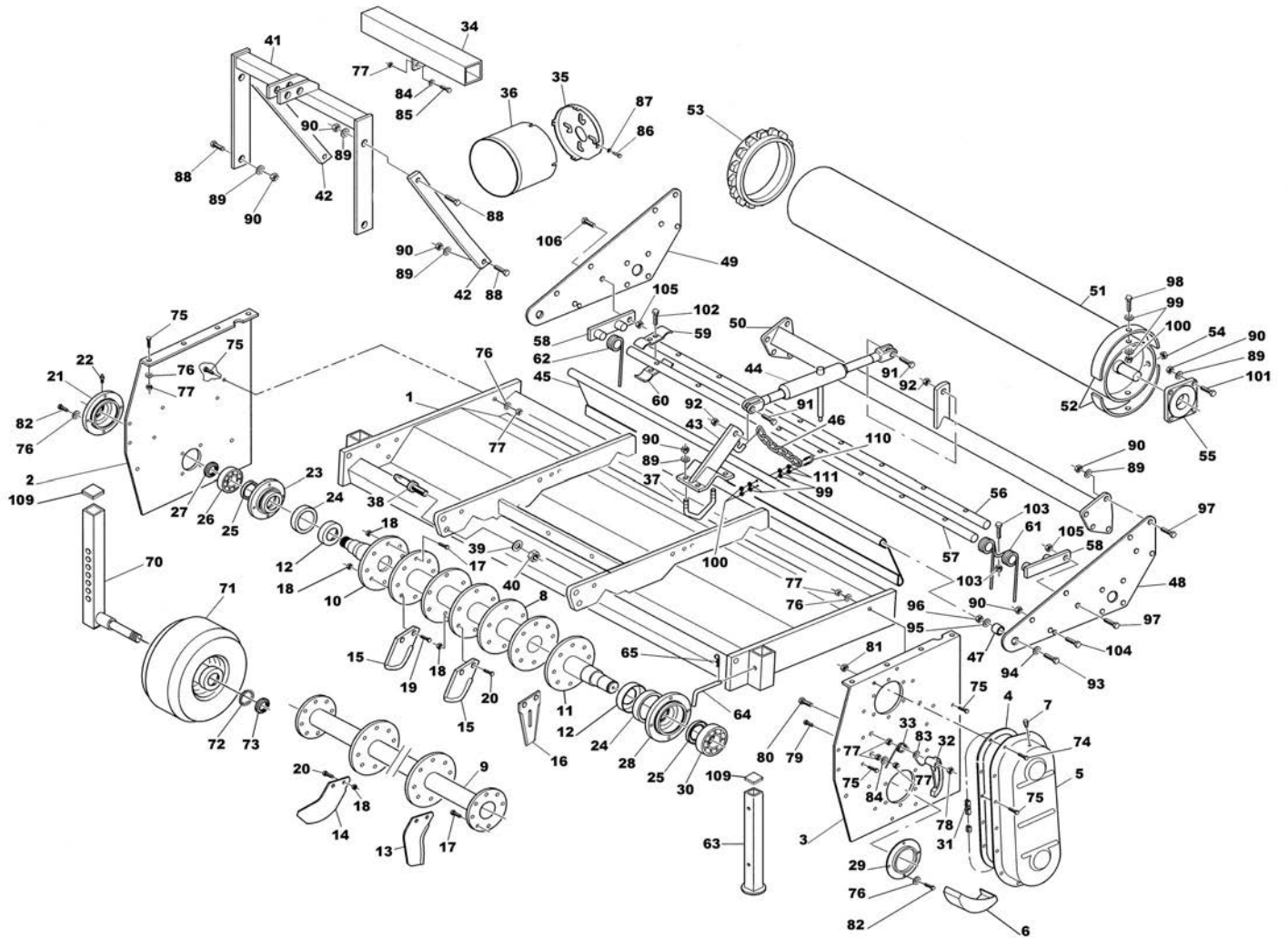
GREEN-RITE

**One Pass Overseeder-Aerator and/or Seeder-Cultivator
with Corrugated Roller for Lawn and Turf Operations**

GRT-250, GRT-258, GRT-266, GRT-282



**Manual 971-128B
May 2021**



Ref.	Part #	Description	Qty.
1	018-4751	Frame 50"; GRT-250	1
	008-4701	Frame 58"; GRT-258 #238124 & below	1
	028-4751	Frame 58"; GRT-258 #238125 & above	1
	008-4702	Frame 66"; GRT-266 #238124 & below	1
	038-4751	Frame 66"; GRT-266 #238125 & above	1
2	008-4028	Side panel, right ¹	1
3	008-4041	Drive panel	1
4	002-2032	Gasket, chain case cover	1
5	001-1030	Cover, chain case	1
6	002-4027	Protection, chain case cover	1
7	000-1107A	Breather cap	1
8	008-4032	Rotor, aerating 50"; GRT-250 ²	1
	018-4032	Rotor, aerating 58"; GRT-258 ³	1
	028-4032	Rotor, aerating 66"; GRT-266 ⁴	1
9	028-4046	Rotor, tilling 50"; GRT-250 (option)	1
	008-4046	Rotor, tilling 58"; GRT-258 (option)	1
	018-4046	Rotor, tilling 66"; GRT-266 (option)	1
10	008-4051	Flanged pivot, right	1
11	008-4055	Flanged pivot, left	1
12	002-2074	Dirt shield	2
13	003-0104S	"C" blade, left (option) ⁵	-
14	003-0104D	"C" blade, right (option) ⁶	-
15	000-2645	Blade, aerating standard	-
16	008-4061	Blade, aerating reversible razor (option)	-
17	000-1073	Bolt SP M12-1.25x35 C8.8 Z P	8
18	002-1105	Nut PT M12-1.25 C6 Z	-
19	008-4073	Bolt SP M12-1.25x40 C12.9 Z P	8
20	002-1104	Bolt SP M12-1.25x30 C8.8 Z P	-
21	003-0091	Outer cover, right	1
22	000-1065	Grease fitting M10-1.00	1
23	008-4081	Right support, complete	1
24	008-4083	Dirt shield	2
25	005-7567	Oil seal 40.56.8	2
26	003-0094	Bearing 6306	1
27	003-0095	Locking ring ES GUK M30-1.50	1
28	008-4105	Left support, complete	1
29	003-4122	Outer cover, left	1
30	000-1061	Bearing 6307	1
31	003-4141	Chain ASA 80Sx36; GRT-250, GRT-258	1
	013-4141	Chain ASA 80HEx36; GRT-266	1
32	003-0148	Chain tensioner	1
33	003-0158	Spring, chain tensioner	1

¹ Replaces part #008-4029.

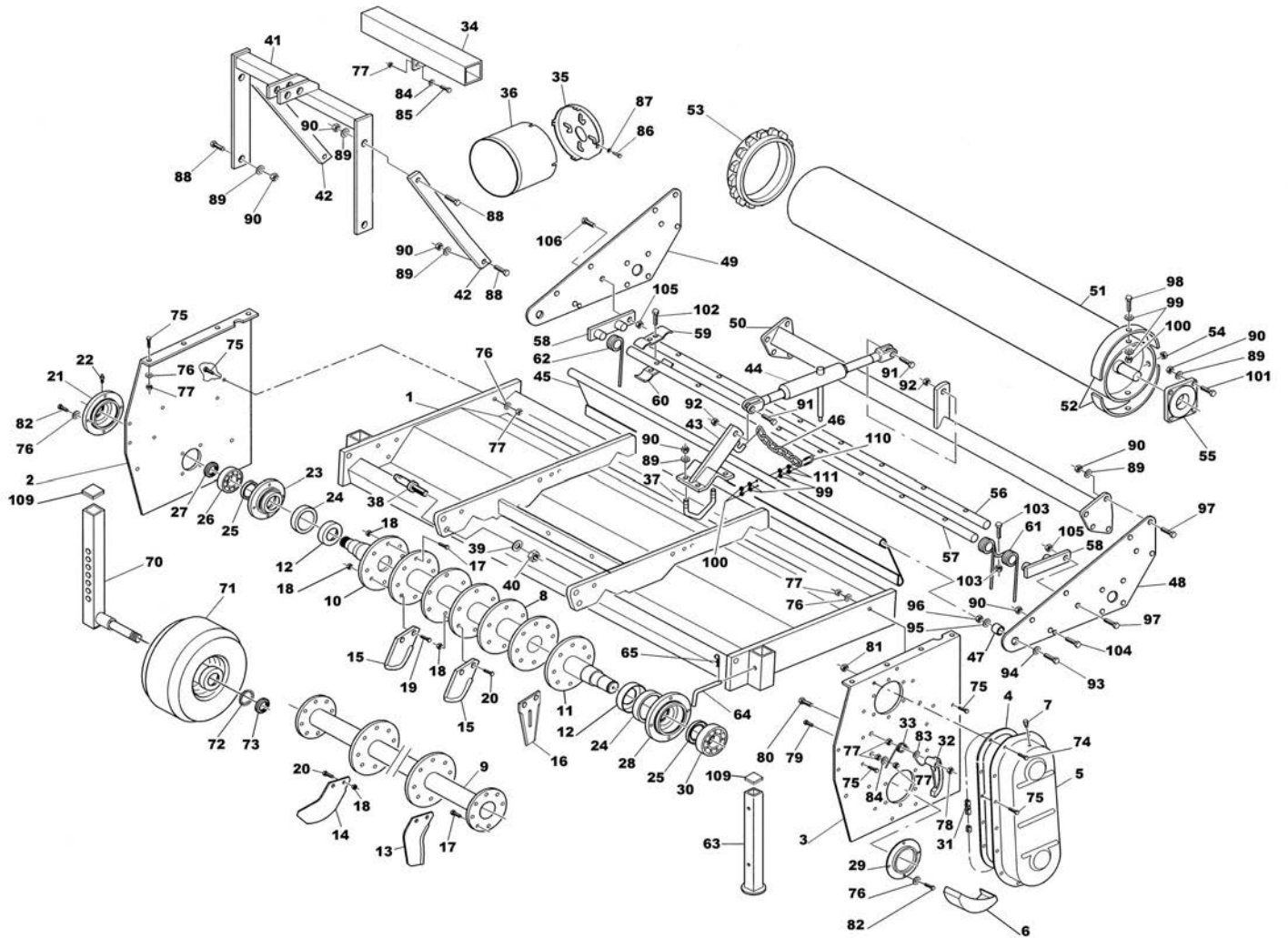
² Replaces part #028-4067.

³ Replaces part #008-4067.

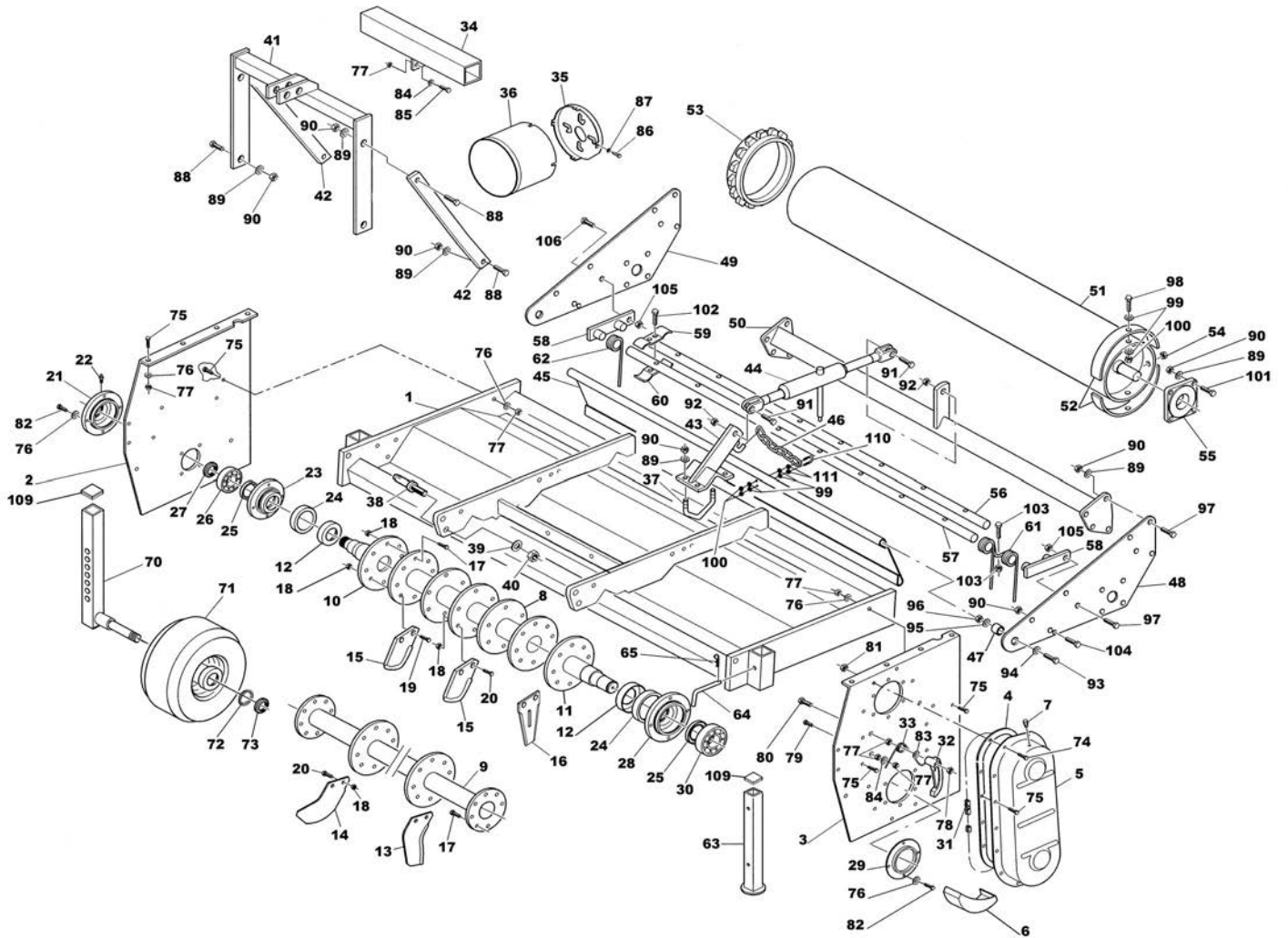
⁴ Replaces part #018-4067.

⁵ Blades must be purchased in pairs (right & left blade).

⁶ Blades must be purchased in pairs (right & left blade).

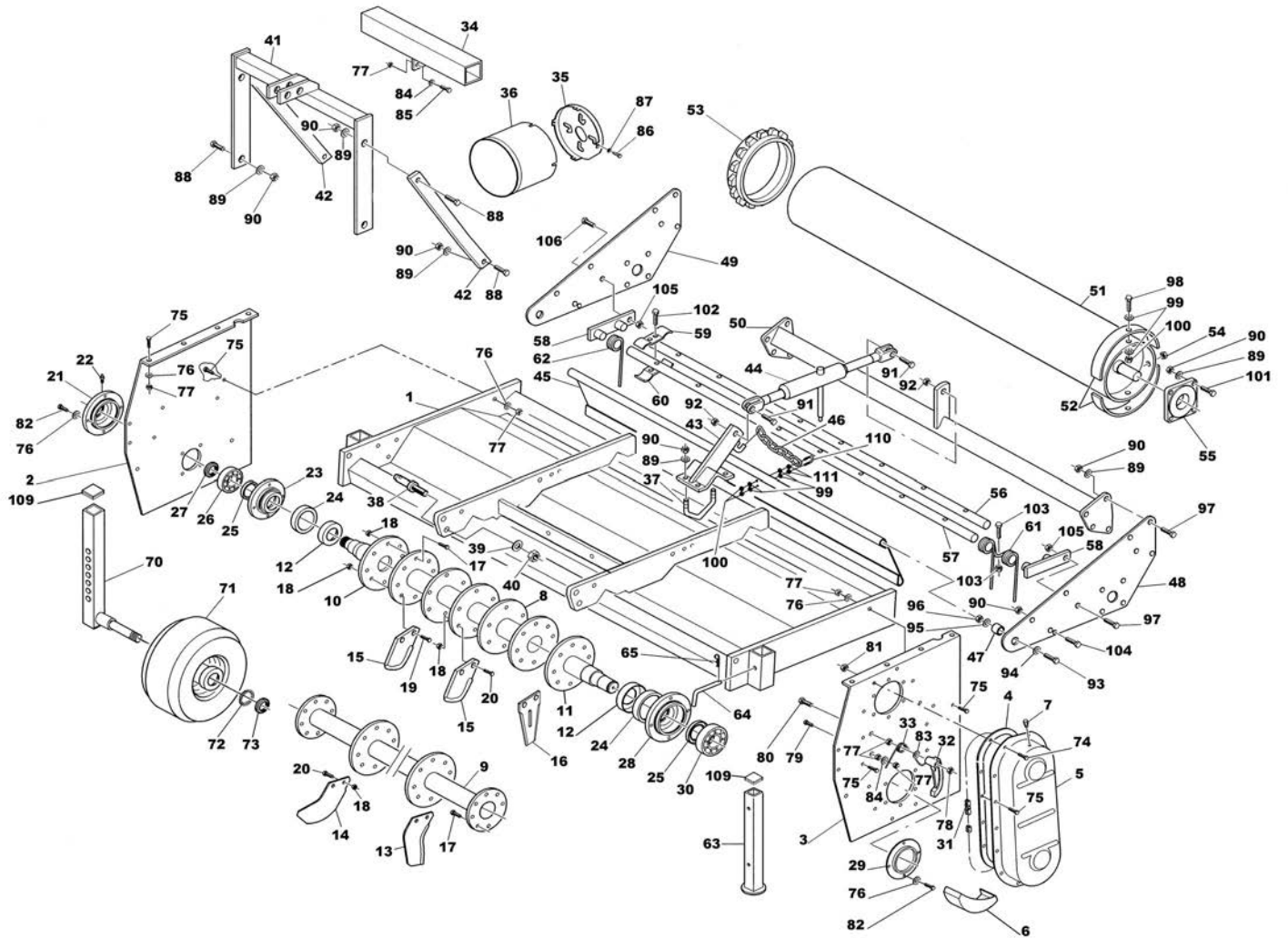


Ref.	Part #	Description	Qty.
34	008-4158	Protection 50"; GRT-250	1
	008-4154	Protection 58"; GRT-258 #238124 & below	1
	018-4158	Protection 58"; GRT-258 #238125 & above	1
	018-4154	Protection 66"; GRT-266 #238124 & below	1
	028-4158	Protection 66"; GRT-266 #238125 & above	1
35	001-1201	Support, guard	1
36	001-1207	Guard, PTO shaft	1
37	001-1253	Bolt "V" M12-1.75x54x65 Z	2
38	000-5550	Hitch pin	2
39	000-5351	Washer lock Ø20 Z	2
40	000-5542	Nut HH M20-1.50 C6 Z MD	2
41	008-4262	Three point hitch; #238124 & below	1
	008-4772	Three point hitch (Quick Hitch compatible); #238125 & above	1
42	008-4268	Top hitch support; #238124 & below	2
	008-4778	Top hitch support (Quick Hitch compatible); #238125 & above	2
43	008-4432	Hitch, turnbuckle	1
44	003-8773	Turnbuckle	1
45	028-4453	Rear deflector 50"; GRT-250 #350391 & below	1
	008-4452	Rear deflector 50"; GRT-250 #350392 & above	1
	008-4453	Rear deflector 58"; GRT-258 #350391 & below	1
	018-4452	Rear deflector 58"; GRT-258 #350392 & above	1
	018-4453	Rear deflector 66"; GRT-266 #350391 & below	1
	028-4452	Rear deflector 66"; GRT-266 #350392 & above	1
46	000-7257	Chain	1
47	004-8470	Spacer, roller arm	2
48	004-8472	Roller arm, left; until 11/98	1
	008-4457	Roller arm, left; since 12/98	1
49	008-4458	Roller arm, right	1
50	028-4462	Rear crossbar 50"; GRT-250	1
	044-8481	Rear crossbar 58"; GRT-258	1
	008-4462	Rear crossbar 66"; GRT-266	1
51	028-4476	Leveling roller 50"; GRT-250	1
	044-8495	Leveling roller 58"; GRT-258	1
	008-4476	Leveling roller 66"; GRT-266	1
52	008-4481	End ring; GRT-250	4
	004-6323	End ring; GRT-258, 266	4
53	004-6322	Corrugated roller ring, nylon-fiberglass	-
	008-8589	Corrugated roller ring, cast iron (option)	-
54	004-6325	Plastic cap	2
55	004-6331	Support UCF 207 TF	2
56	028-4501	Tickler bar, rear 50"; GRT-250	1
	044-8521	Tickler bar, rear 58"; GRT-258	1
	008-4501	Tickler bar, rear 66"; GRT-266	1
57	028-4505	Tickler bar, front 50"; GRT-250	1
	044-8523	Tickler bar, front 58"; GRT-258	1
	008-4505	Tickler bar, front 66"; GRT-266	1
58	004-6347	Pivot assembly	2
59	004-6351	Locking plate, top	2
60	014-6351	Locking plate, bottom	2
61	004-6358	Tickler tooth spring	-



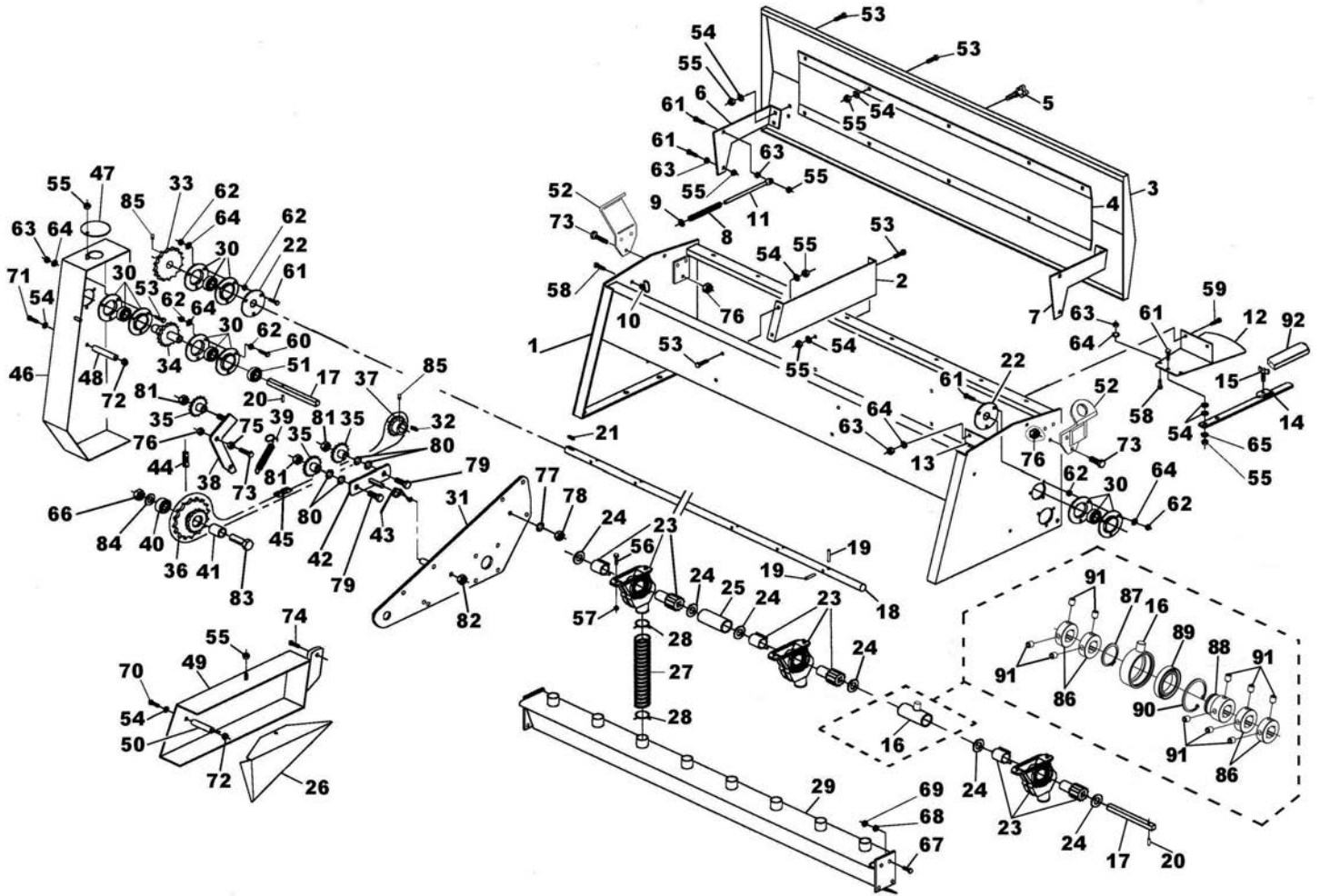
Ref.	Part #	Description	Qty.
62	004-6360	Tickler tooth ½ spring	1
63	008-4613	Stand	1
64	008-4619	Pin locking Ø12x80 Z	1
65	001-5240	Hairpin cotter Ø3 Z	1
70	008-4675	Wheel support; until 10/06 (option)	2
	008-4670	Wheel support; since 11/06 (option)	2
71	008-4673	Air tire; until 10/06 (option) ⁷	2
	002-3929A	Bearing, needle; air tire #008-4673 (not shown)	4
	002-3930A	Retainer, wheel; air tire #008-4673 (not shown)	4
	006-7402	Air tire; since 11/06 (option)	2
	005-1706	Bearing, air tire #006-7402 (not shown)	4
	004-4134	Wheel cover, air tire #006-7402 (not shown)	4
72	000-6606	Shim Ø25x35x2	2
73	000-6610	Lynch pin Ø6x46; until 10/06	2
	000-6698	Nut SP M25-1.50 Z; since 11/06	2
74	000-6349	Bolt HH M10-1.50x20 C8.8 Z F	10
75	003-3176	Bolt HH M10-1.50x25 C8.8 Z F	20
76	000-1280	Washer lock Ø10 Z	26
77	000-1279	Nut HH M10-1.50 C6 Z TK	23
78	003-0156	Nut PT M10-1.50 C6 TK Z	1
79	002-6329	Bolt HH M10-1.50x45 C8.8 Z F	1
80	003-0640	Bolt HH M10-1.50x65 C8.8 Z F	1
81	009-0150	Nut HH M10-1.50 C6 Z MD	14
82	000-1278	Bolt HH M10-1.50x30 C8.8 Z F	8
83	003-0157	Washer fender Ø10 Z	1
84	000-2034	Washer flat Ø10 W	3
85	009-1281	Bolt HH M10-1.50x35 C8.8 Z F	2
86	001-1210	Bolt PN M06-1.00x12 C4.6 Z F	4
87	001-1209	Washer fender Ø6 Z	4
88	000-7716	Bolt HH M12-1.75x45 C8.8 Z F	6
89	000-1077	Washer lock Ø12 Z	26
90	000-3038	Nut HH M12-1.75 C6 Z TK	28
91	002-9317	Bolt HH M14-2.00x50 C8.8 Z F	2
92	003-0358	Nut PT M14-2.00 C6 Z TK	2
93	003-7386	Bolt HH M18-2.50x80 C8.8 Z F	2
94	005-0049	Washer flat Ø18 Y	2
95	000-3366	Washer lock Ø18 Z	2
96	003-8370	Nut HH M18-2.50 C6 Z MD	2
97	002-3265	Bolt HH M12-1.75x40 C8.8 Z F	9
98	009-1446	Bolt HH M08-1.25x25 C8.8 Z F	8
99	001-5230	Washer flat Ø08 W	20
100	001-1328	Nut PT M08-1.25 C6 Z TK	10
101	003-0054	Bolt HH M12-1.75x50 C8.8 Z F	8
102	000-8037	Bolt HH M08-1.25x50 C8.8 Z F	4
103	004-6362	Bolt CR M10-1.50x50 C4.6 Z P	-
104	000-3037	Bolt HH M12-1.75x25 C8.8 Z F	2
105	003-0064	Nut PT M12-1.75 C6 TK Z	2
106	008-4577	Stop bolt	1

⁷ Wheel no longer available. Order (qty 1) wheel (#006-7402) and (qty 1) wheel support (#008-4670) when replacing wheel.

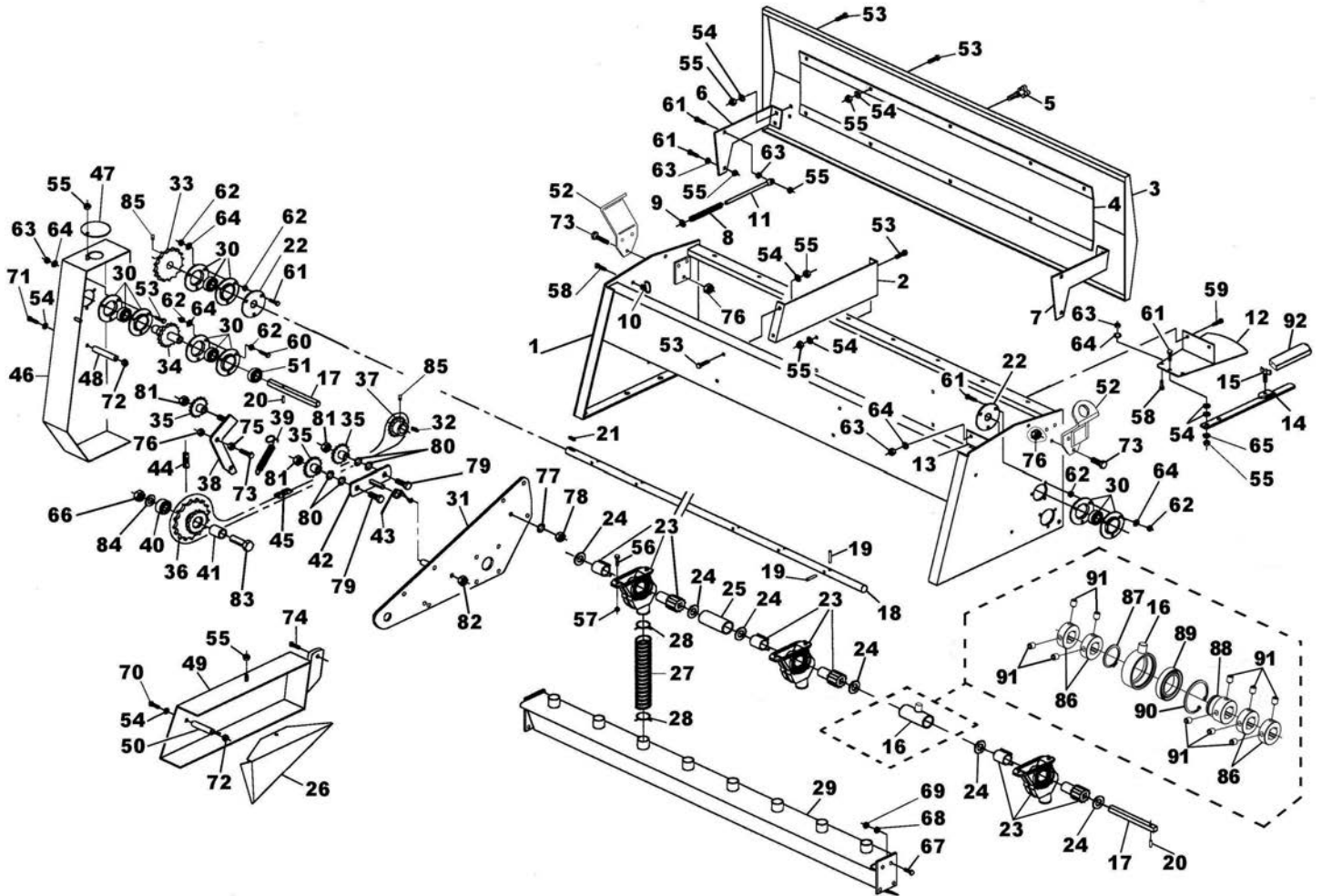


Ref.	Part #	Description	Qty.
109	008-2760	Plastic cap 50 mm.	1
110	001-1327	Bolt "U" M08-1.25x21x51 Z; #350392 & above	1
111	004-6545	Nut HH M08-1.25 C6 Z MD; #350392 & above	2
Accessories:			
	009-9649	Tilling rotor 50" w/tines, complete; GRT-250 (option)	-
	009-9517	Tilling rotor 58" w/tines, complete; GRT-258 (option)	-
	009-9564	Tilling rotor 66" w/tines, complete; GRT-266 (option)	-
	009-9875	Gauge wheels, complete; GRT-250, 258, 266, 282 (option)	-

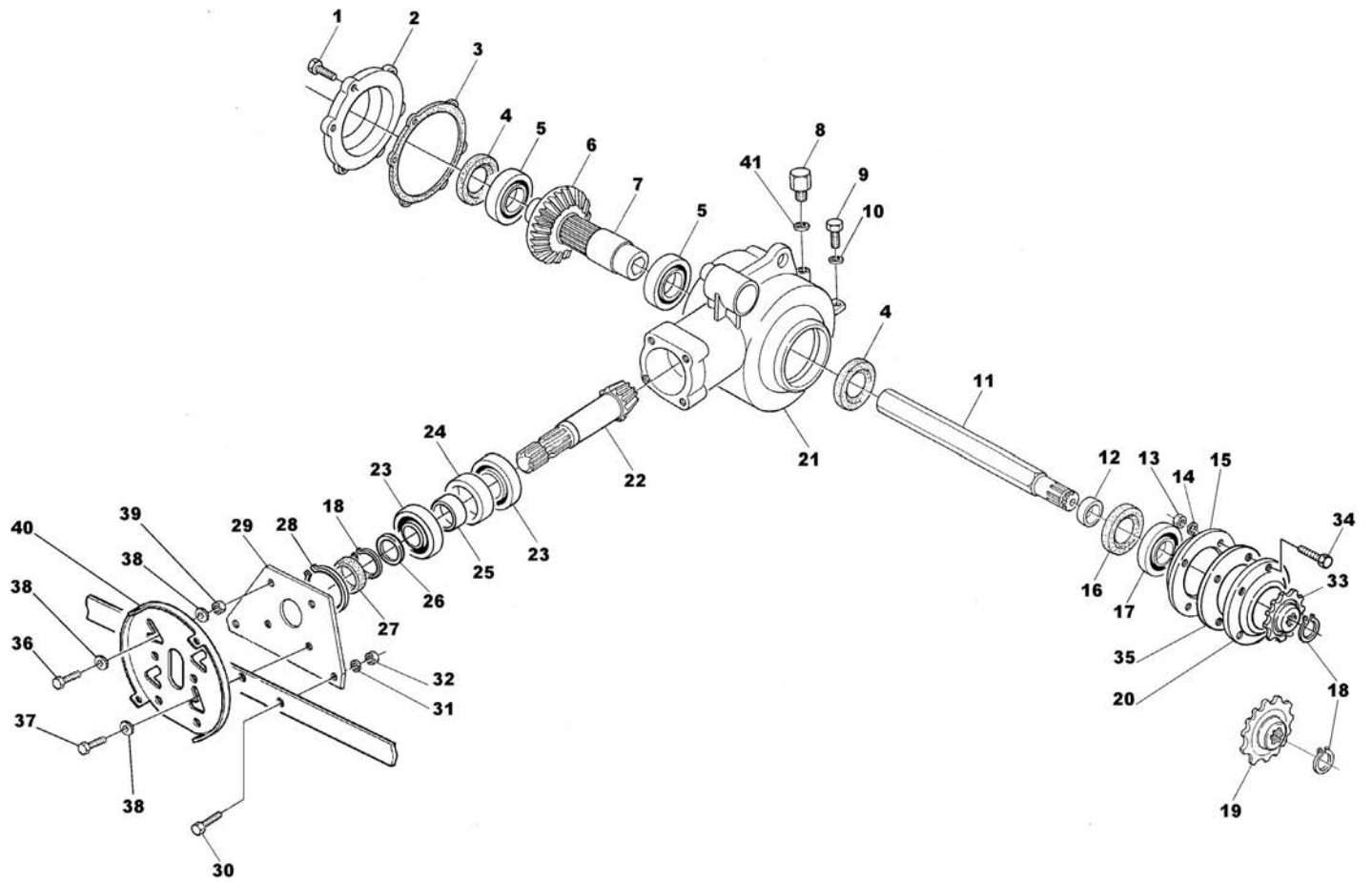
Ref.	Part #	Description	Qty.
1	028-4281	Hopper 50"; GRT-250	1
	008-4281	Hopper 58"; GRT-258	1
	018-4281	Hopper 66"; GRT-266	1
2	008-4287	Hopper support	2
3	028-4292	Hopper lid 50"; GRT-250	1
	008-4292	Hopper lid 58"; GRT-258	1
	018-4292	Hopper lid 66"; GRT-266	1
4	028-4295	Lid support 50"; GRT-250	1
	008-4295	Lid support 58"; GRT-258	1
	018-4295	Lid support 66"; GRT-266	1
5	003-8575	Knob, plastic Ø10x20; until 05/99	1
	008-4310	Knob, plastic, autolocking; since 05/99	1
6	018-4302	Hopper hinge, right	1
7	028-4302	Hopper hinge, left	1
8	004-6491	Spring, hopper hinge; until 05/99	2
9	008-4315	Washer, hopper hinge; until 05/99	2
10	004-6501	Hook, hopper hinge; until 05/99	2
11	004-6498	Rod, hopper hinge: until 05/99	2
12	008-4332	Calibration plate	1
13	004-6472	Plate	1
14	004-6561	Calibration handle	1
15	004-6465	Bolt wing M10-1.50x20 C5 Z	1
16	004-8331	Spacer, calibration handle; #296780 & below	1
	008-4342	Support, calibration handle; #296781 & above	1
17	008-4363	Drive rod 50"; GRT-250	1
	044-8353	Drive rod 58"; GRT-258	1
	008-4365	Drive rod 66"; GRT-266	1
18	028-4374	Auger shaft 50"; GRT-250	1
	008-4374	Auger shaft 58"; GRT-258	1
	018-4374	Auger shaft 66"; GRT-266	1
19	004-6521	Roll pin Ø6x60	-
20	000-6605	Roll pin Ø6x32	2
21	000-6639	Key 8x7x25	1
22	004-6525	Closing flange	2
23	004-6531	Seed cup assembly	-
24	008-4415	Washer flat w/square hole 16.5	-
25	004-8391	Spacer, drive rod	-
26	008-4610	Cover plate	1
27	008-4394	Fertilizer tube 21 cm.	-
28	004-6533	Wire ring clamp	-
29	028-4422	Discharge support 50"; GRT-250	1
	008-4422	Discharge support 58"; GRT-258	1
	018-4422	Discharge support 66"; GRT-266	1
30	004-6541	Support, complete	4
31	008-4458	Roller arm, right	1
32	000-6688	Key 8x7x35	1
33	008-4527	Sprocket Z22, auger shaft	1
34	008-4528	Sprocket Z15, drive rod	1
35	004-6644	Idler sprocket Z14	3
36	008-4552	Sprocket assembly	1
37	008-4582	Sprocket Z13	1



Ref.	Part #	Description	Qty.
38	008-4534	Chain tensioner support	1
39	005-1740	Spring	1
40	008-4556	Bearing 4204	1
41	008-4559	Spacer, sprocket assembly; until 11/98	1
	008-7499	Spacer, sprocket assembly; since 11/98	1
42	008-4572	Chain adjuster support	1
43	008-4576	Spring, chain adjuster support	1
44	008-4586	Chain ASA 50x82	1
45	008-4588	Chain ASA 50x92	1
46	008-4591	Upper cover, chain case	1
47	008-4596	Access cover, chain case	1
48	008-4599	Spacer, upper cover	1
49	008-4601	Lower cover, chain case	1
50	008-4607	Spacer, lower cover	1
51	008-4375	Collar Ø25, shaft	1
52	008-4284	Lift hook; #270182 & above	2
53	008-4289	Bolt CR M08-1.25x20 C4.6 Z	25
54	000-2034	Washer flat Ø10 W	26
55	009-1384	Nut ES M08-1.25 Z TK	27
56	008-8748	Bolt CR M06-1.00x20 C4.6 Z	-
57	200-3001	Nut kep M06-1.00 Z	-
58	004-6454	Bolt HH M08-1.25x16 C8.8 Z F	2
59	001-5012	Bolt HH M08-1.25x20 C8.8 Z F	2
60	009-1446	Bolt HH M08-1.25x25 C8.8 Z F	3
61	004-6543	Bolt HH M08-1.25x30 C8.8 Z F	9
62	004-6545	Nut HH M08-1.25 C6 Z MD	18
63	000-1806	Nut HH M08-1.25 C6 Z TK	9
64	000-3144	Washer lock Ø8 Z	16
65	001-5230	Washer flat Ø08 W	1
66	000-5507	Nut PT M20-2.50 C6 Z TK	1
67	003-3176	Bolt HH M10-1.50x25 C8.8 Z F	8
68	000-1280	Washer lock Ø10 Z	8
69	000-1279	Nut HH M10-1.50 C6 Z TK	8
70	001-5273	Bolt HH M10-1.50x110 C8.8 Z P	1
71	001-5263	Bolt HH M10-1.50x120 C8.8 Z P	1
72	001-4106	Nut ES M10-1.50 Z TK	2
73	000-7255	Bolt HH M12-1.75x35 C8.8 Z F	7
74	002-3265	Bolt HH M12-1.75x40 C8.8 Z F	1
75	001-7223	Nut HH M12-1.75 C6 Z TN	1
76	003-0064	Nut PT M12-1.75 C6 Z TK	7
77	000-1077	Washer lock Ø12 Z	1
78	000-3038	Nut HH M12-1.75 C6 Z TK	1
79	009-1038	Bolt HH M16-2.00x50 C8.8 Z F	2
80	000-8568	Washer flat Ø16 W	4
81	000-5581	Nut PT M16-2.00 C6 Z TK	3
82	003-0358	Nut PT M14-2.00 C6 Z TK	1
83	008-4558	Bolt HH M20-2.50x90 C8.8 Z F	1
84	004-6555	Washer flat Ø20 Z	1
85	008-4376	Set screw M10-1.50x08 C14.9 N	2
86	008-4357	Locking collar, square hole; #296781 & above	4
87	001-0122	Snap ring, outer Ø30; #296781 & above	1

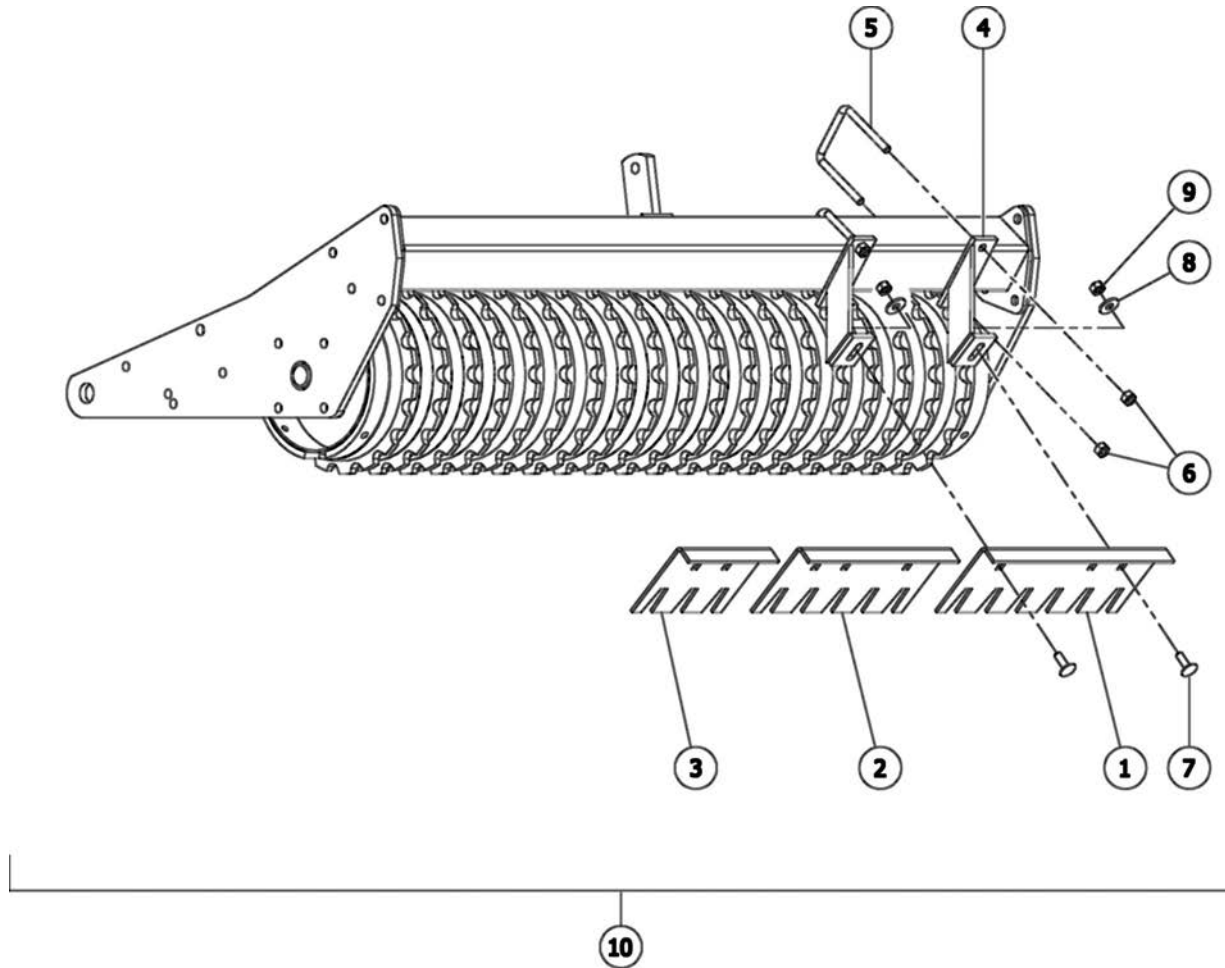


Ref.	Part #	Description	Qty.
88	008-4352	Adjustment collar, square hole; #296781 & above	1
89	008-4346	Bearing 61906 2RS; #296781 & above	1
90	005-0144	Snap ring, inner Ø47; #296781 & above	1
91	008-4354	Set screw M08-1.25x8; #296781 & above	10
92	008-4345	Grip, calibration handle	1

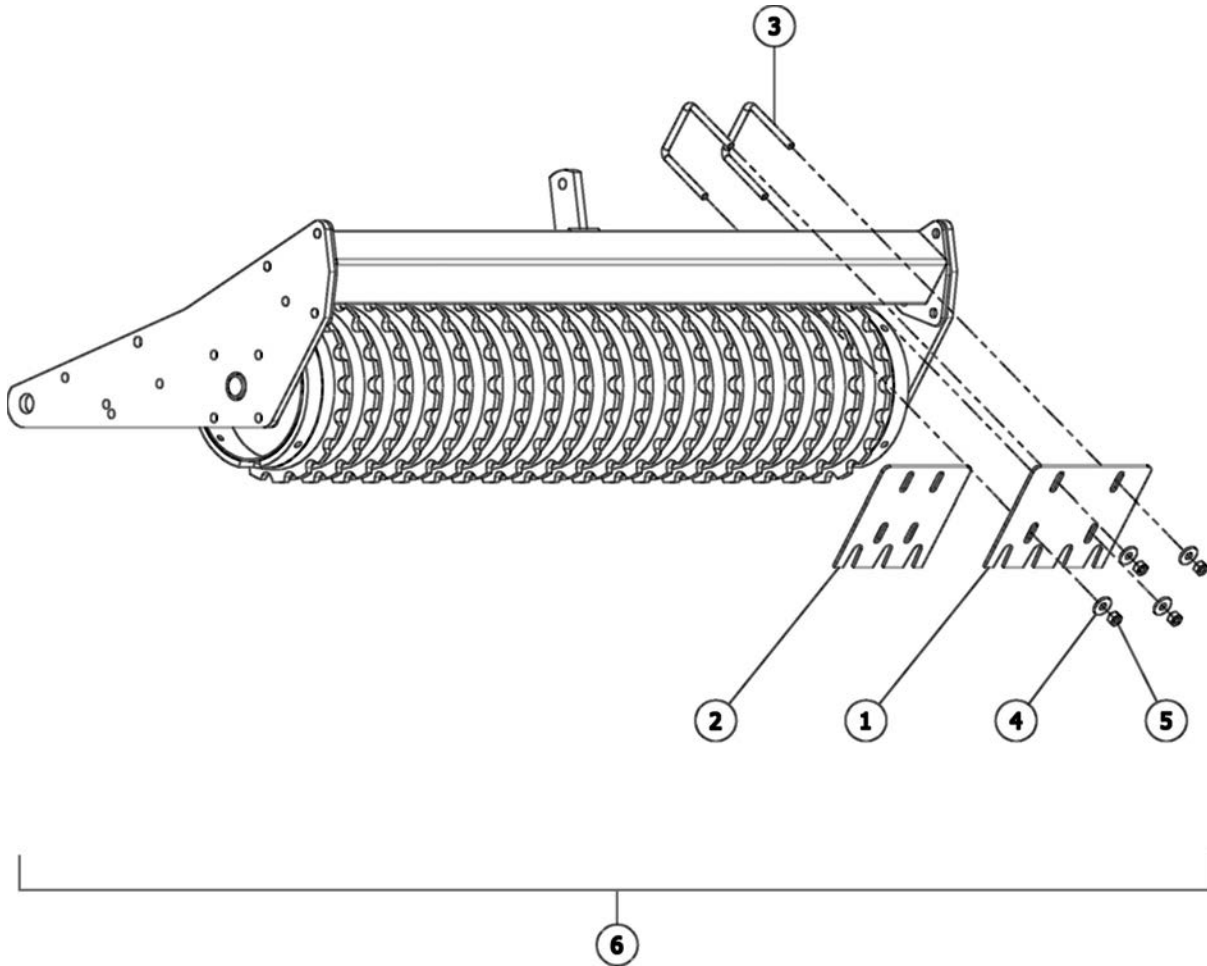


Ref.	Part #	Description	Qty.
1	000-6349	Bolt HH M10-1.50x20 C8.8 Z F	6
2	002-2178	Gear cover	1
3	002-2180	Gasket	-
4	000-2133	Oil seal 50.68.10	2
5	003-4178	Bearing 6010	2
6	002-1176	Ring gear	1
7	003-4175	Shaft coupling	1
8	000-1107A	Breather cap	1
9	000-7716	Bolt HH M12-1.75x45 C8.8 Z F	1
10	000-2265	Washer flat Ø12 Z	1
11	033-4166	Hexagonal shaft 50"; GRT-250	1
	043-4166	Hexagonal shaft 58"; GRT-258	1
	053-4166	Hexagonal shaft 66"; GRT-266	1
12	000-2049	Spacer	1
13	000-1279	Nut HH M10-1.50 C6 Z TK	4
14	000-1280	Washer lock Ø10 Z	4
15	003-0092	Inner cover	1
16	003-4159	Oil seal 45.60.10	1
17	000-1061	Bearing 6307	1
18	004-2122	Snap ring, outer Ø35	3
19	003-4131	Sprocket Z14	1
20	003-4122	Outer cover, left	1
21	002-2170	Housing, gearbox	1
22	002-1177	Pinion gear	1
23	002-5332A	Bearing 6207	2
24	003-4197	Outer spacer, rear	1
25	003-4198	Inner spacer	1
26	003-4196	Shim Ø35x45x2.5	1
27	003-0211	Oil seal 35.72.10	1
28	002-5329	Snap ring, inner Ø72	1
29	003-0218	Front cover, gearbox	1
30	000-7255	Bolt HH M12-1.75x35 C8.8 Z F	2
31	000-1077	Washer lock Ø12 Z	2
32	000-3038	Nut HH M12-1.75 C6 Z TK	2
33	003-4134	Sprocket Z11	1
34	000-1278	Bolt HH M10-1.50x30 C8.8 Z F	4
35	003-4121	Disk with holes	1
36	009-1281	Bolt HH M10-1.50x35 C8.8 Z F	2
37	000-1278	Bolt HH M10-1.50x30 C8.8 Z F	2
38	003-0157	Washer fender Ø10 Z	6
39	000-1106	Nut HH M12-1.75 C6 Z MD	2
40	001-1201	Support, protection	1
41	000-6691	Gasket	1
	050-0606	Gearbox 540 rpm, complete ⁸	-

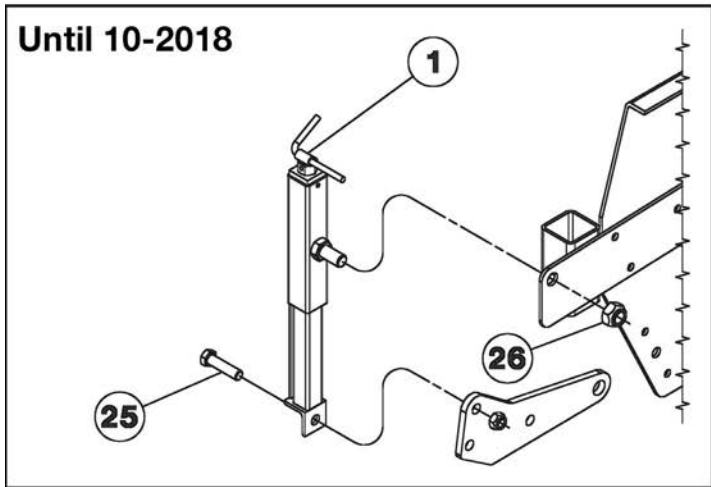
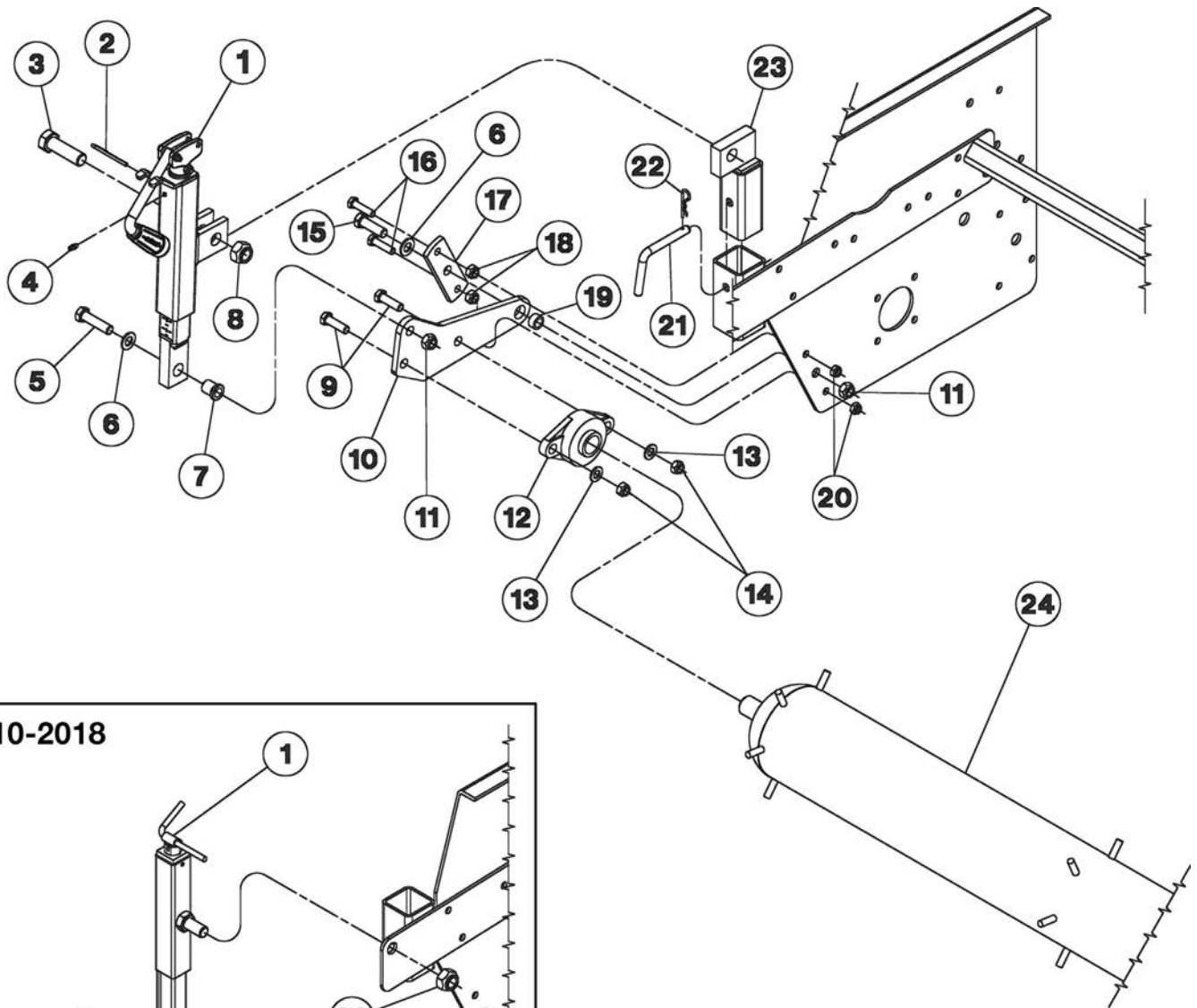
⁸ Fill using approx. 20 fl.oz. (0.6 qt.) of SAE 90W gear oil.



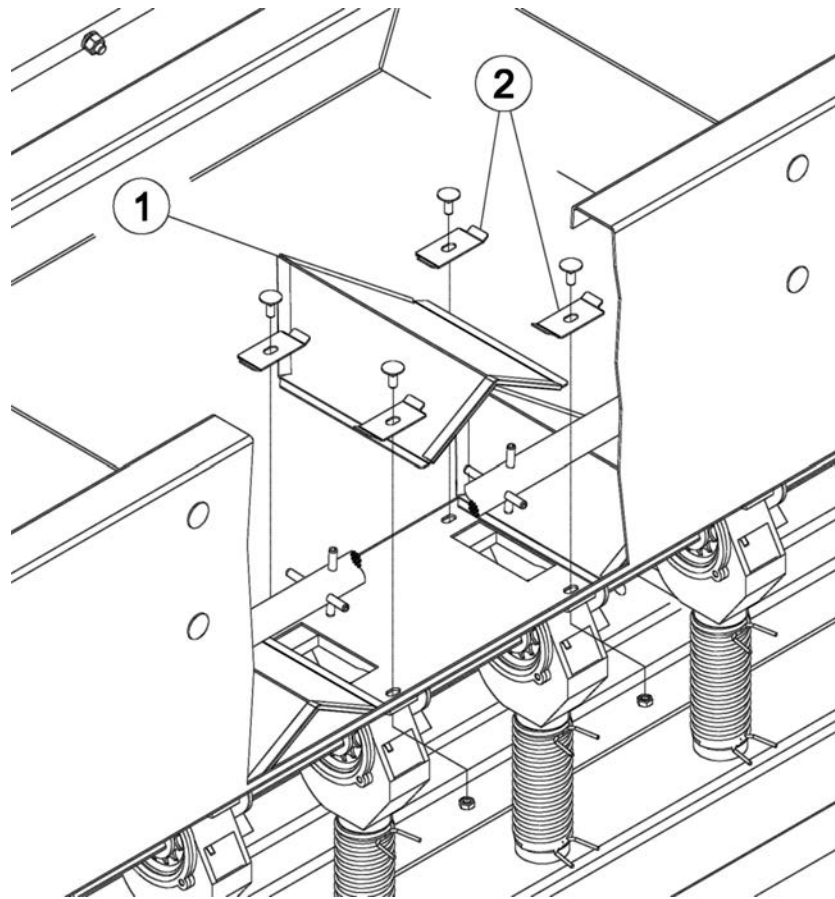
Ref.	Part #	Description	Qty.
1	008-4683	Plate, roller scraper w/12 teeth; GRT-250, 258, 266 until 12/18	-
	018-4683	Plate, roller scraper w/7 teeth; GRT-250, 258, 266 since 01/19	-
2	028-4683	Plate, roller scraper w/6 teeth; GRT-250, 258, 266 since 01/19	-
3	008-4682	Plate, roller scraper w/9 teeth; GRT-250	1
	008-4684	Plate, roller scraper w/4 teeth; GRT-266	1
4	008-4685	Support, roller scraper	-
5	008-4693	Bolt "U" M10-1.50x80x103 Z	-
6	003-0156	Nut PT M10-1.50 C6 Z TK	-
7	000-1036	Bolt CR M10-1.50x30 C4.6 Z	-
8	003-0157	Washer fender Ø10 Z	-
9	001-4106	Nut ES M10-1.50 Z TK	-
10	009-9650	Roller scraper 50", complete; GRT-250 (option)	-
	009-9539	Roller scraper 58", complete; GRT-258 (option)	-
	009-9565	Roller scraper 66", complete; GRT-266 (option)	-



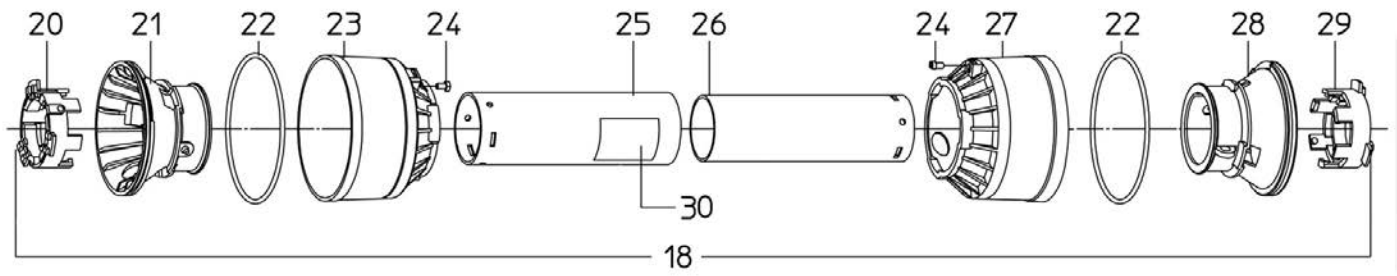
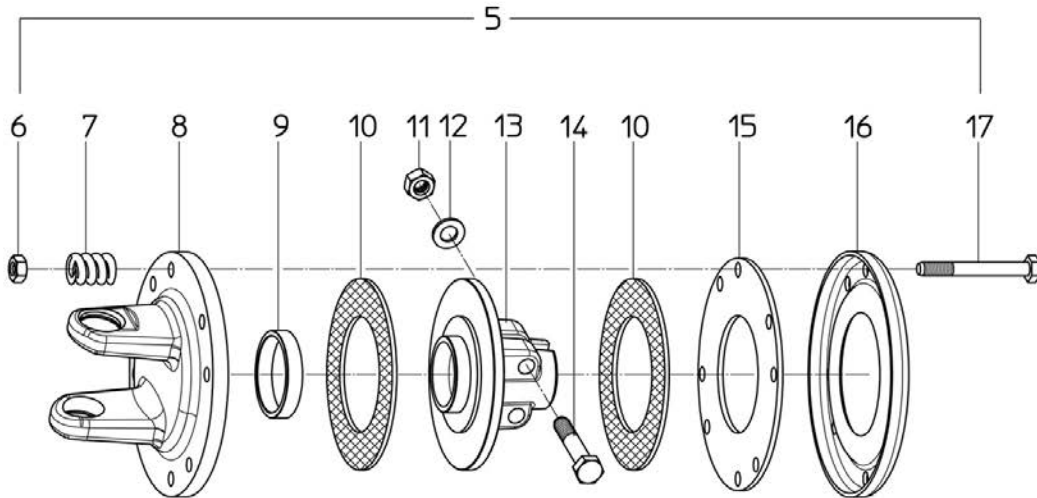
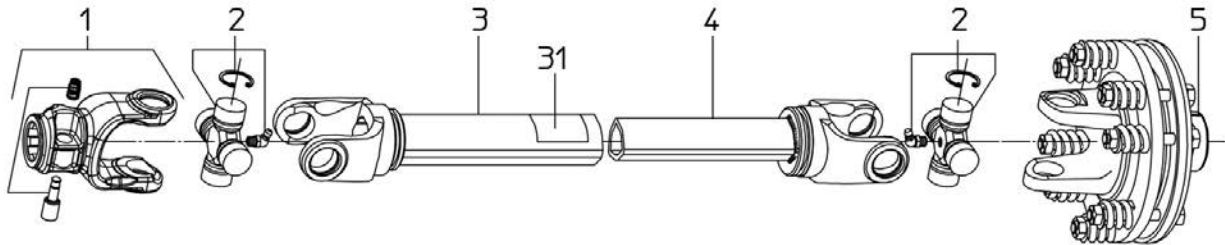
Ref.	Part #	Description	Qty.
1	008-4690	Plate, roller scraper w/5 teeth; GRT-250, 258, 266	4
2	008-4689	Plate, roller scraper w/4 teeth; GRT-250	1
	008-4689	Plate, roller scraper w/4 teeth; GRT-258	2
	008-4689	Plate, roller scraper w/4 teeth; GRT-266	3
3	008-4693	Bolt "U" M10-1.50x80x103 Z; GRT-250	10
	008-4693	Bolt "U" M10-1.50x80x103 Z; GRT-258	12
	008-4693	Bolt "U" M10-1.50x80x103 Z; GRT-266	14
4	003-0157	Washer fender Ø10 Z; GRT-250	20
	003-0157	Washer fender Ø10 Z; GRT-258	24
	003-0157	Washer fender Ø10 Z; GRT-266	28
5	001-4106	Nut ES M10-1.50 Z TK; GRT-250	20
	001-4106	Nut ES M10-1.50 Z TK; GRT-258	24
	001-4106	Nut ES M10-1.50 Z TK; GRT-266	28
6	009-9189	Roller scraper 50", complete; GRT-250 (option)	-
	009-9190	Roller scraper 58", complete; GRT-258 (option)	-
	009-9191	Roller scraper 66", complete; GRT-266 (option)	-



Ref.	Part #	Description	Qty.
1	008-4640	Register screw, complete; since 11/18	2
	008-4645	Register screw, complete; until 10/18	2
2	009-1507	Hairpin cotter Ø4 Z	2
3	000-8576	Bolt HH M20-2.50x65 C8.8 Z F	2
4	005-1129	Grease fitting M06-1.00 threaded	2
5	003-2371	Bolt HH M14-2.00x55 C8.8 Z F	2
6	009-1435	Washer flat Ø14 Z	4
7	008-4641	Bushing, register screw; since 11/18	2
8	000-5507	Nut PT M20-2.50 C6 Z TK	2
9	002-3265	Bolt HH M12-1.75x40 C8.8 Z F	4
10	008-4631	Roller arm	2
11	003-0358	Nut PT M14-2.00 C6 Z TK	4
12	003-7514	Support UCFL 206 TF	2
13	000-2265	Washer flat Ø12 Z	4
14	003-0064	Nut PT M12-1.75 C6 Z TK	4
15	000-1018	Bolt HH M14-2.00x45 C8.8 Z P	2
16	003-8614	Bolt HH M10-1.50x40 C8.8 Z F	4
17	008-4633	Plate	2
18	000-3038	Nut HH M12-1.75 C6 Z TK	4
19	008-4642	Spacer, roller arm	2
20	003-0156	Nut PT M10-1.50 C6 Z TK	4
21	008-4619	Hitch pin	2
22	001-5240	Hairpin cotter Ø3 Z	2
23	008-4661	Hitch tube, register screw; since 11/18	2
24	028-4622	Front gauge roller 50"; GRT-250	1
	008-4622	Front gauge roller 58"; GRT-258	1
	018-4622	Front gauge roller 66"; GRT-266	1
25	000-1526	Bolt HH M14-2.00x35 C8.8 Z F; until 10/18	2
26	001-7506	Nut PT M18-2.50 C6 Z TK; until 10/18	2
	009-9648	Front gauge roller 50", complete; GRT-250 (option)	-
	009-9516	Front gauge roller 58", complete; GRT-258 (option)	-
	009-9563	Front gauge roller 66", complete; GRT-266 (option)	-

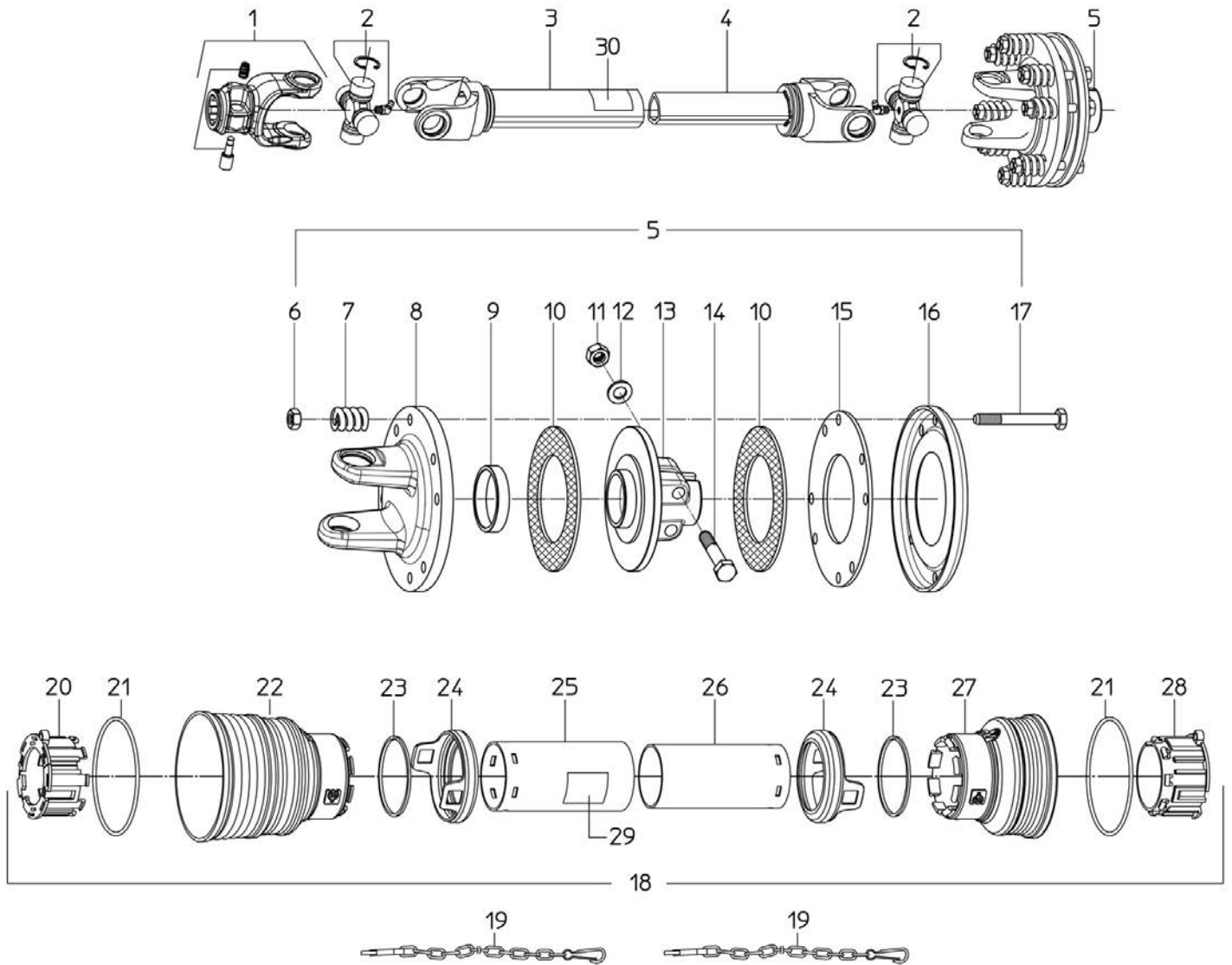


Ref.	Part #	Description	Qty.
1	008-8740	Seed conveyor; GRT-250	6
	008-8740	Seed conveyor; GRT-258	7
	008-8740	Seed conveyor; GRT-266	8
2	008-8742	Fixing plate, seed conveyor; GRT-250	14
	008-8742	Fixing plate, seed conveyor; GRT-258	16
	008-8742	Fixing plate, seed conveyor; GRT-266	18
	009-9139	Seed conveyors, complete; GRT-250 (option)	-
	009-9140	Seed conveyors, complete; GRT-258 (option)	-
	009-9141	Seed conveyors, complete; GRT-266 (option)	-



Ref.	Part #	Description	Qty.
1	1023010C	PTO yoke	1
2	1003020C	Cross w/bearing	2
3	1943043NC	Outer tube w/yoke	1
4	1953045NC	Inner tube w/yoke	1
5	1333030C	Slip clutch, complete	1
6	003-0156	Nut PT M10-1.50 C6 Z TK	8
7	1215012C	Spring, slip clutch	8
8	1703130C	Yoke, slip clutch	1
9	1704017C	Bushing, slip clutch	1
10	1804000C	Friction disc	2
11	000-1075	Nut HH M12-1.25 C6 Z TK	2
12	000-1077	Washer, lock Ø12 Z	2
13	1704016C	Hub with flange, slip clutch	1
14	003-4270	Bolt HH M12-1.25x65 C8.8 Z P	2
15	1134008C	Inner disc	1
16	1134007C	Outer flange	1
17	001-5232	Bolt HH M10-1.50x75 C8.8 Z P	8
18	90SE4041C	Shield, complete ⁹	1
19	1006065C	Chain, anti-rotation	2
20	1784210C	Locking ring, outer tube; #280017 & below	1
21	1784201C	Rigid cone, outer tube; #280017 & below	1
22	1213233C	Stiffening ring; #280017 & below	2
23	1784203C	Standard cone; #280017 & below	1
24	1784212C	Pin; #280017 & below	2
25	1773041C	Shield, outer tube	1
26	1872041C	Shield, inner tube	1
27	1784207C	Extra short cone; #280017 & below	1
28	1784202C	Rigid cone, inner tube; #280017 & below	1
29	1784211C	Locking ring, inner tube; #280017 & below	1
30	950-463B	Decal "DANGER - Rotating driveline, keep away" outer shield	1
31	950-464B	Decal "DANGER - Guard missing, do not operate" outer tube	1
	050-0408	Driveline w/slip clutch, complete	-

⁹ Complete shielding is interchangeable with part #96SE4041C. Single shield components are not interchangeable.



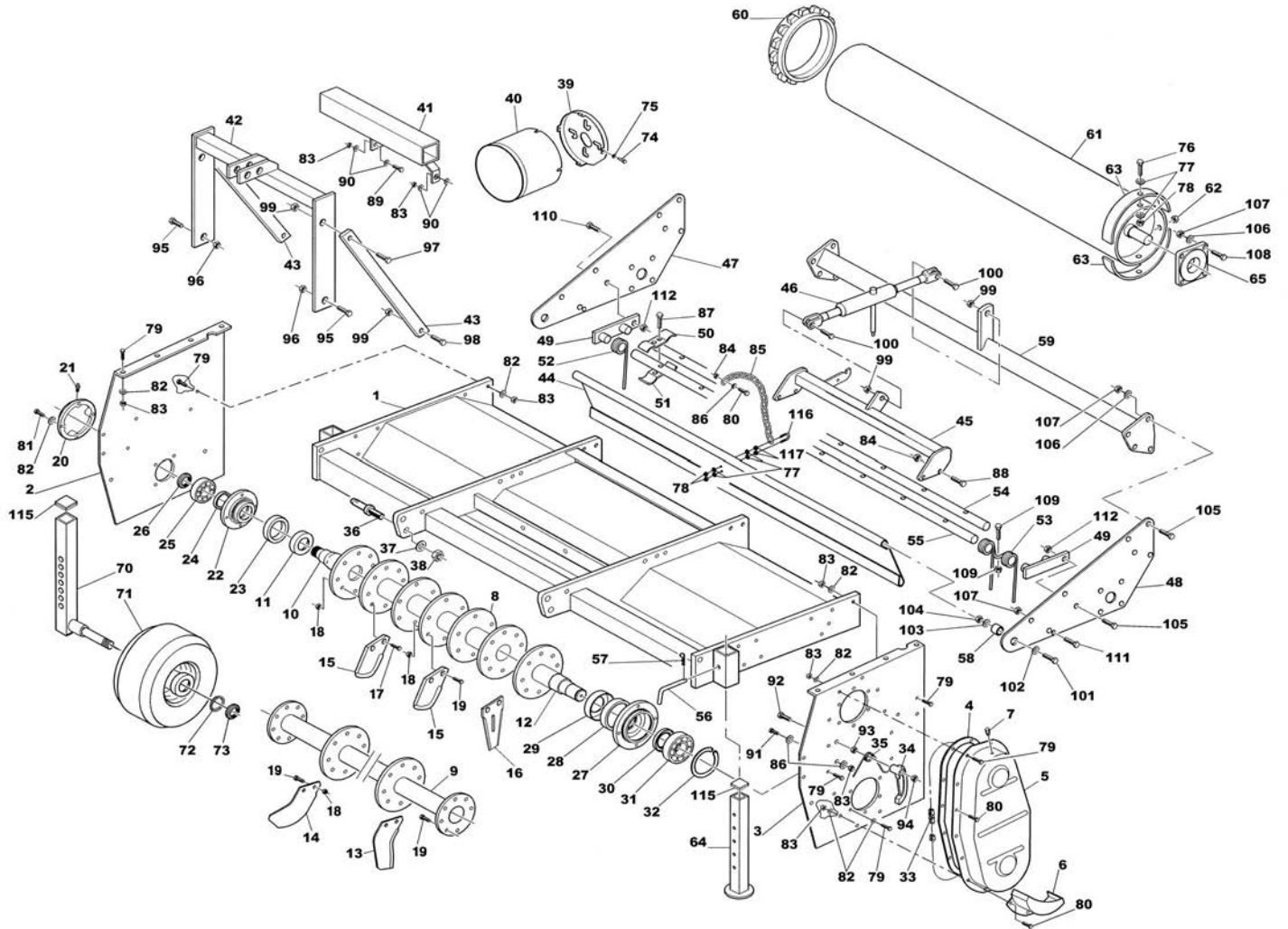
GRT-250, 258, 266 - FROM SERIAL #280018 TO #366604

Ref.	Part #	Description	Qty.
1	1023010C	PTO yoke	1
2	1003020C	Cross w/bearing	2
3	1943043NC	Outer tube w/yoke ¹⁰	1
4	1953045NC	Inner tube w/yoke ¹¹	1
5	1333030C	Slip clutch, complete	1
6	003-0156	Nut PT M10-1.50 C6 Z TK	8
7	1215012C	Spring, slip clutch	8
8	1703130C	Yoke, slip clutch	1
9	1704017C	Bushing, slip clutch	1
10	1804000C	Friction disc	2
11	000-1075	Nut HH M12-1.25 C6 Z TK	2
12	000-1077	Washer, lock Ø12 Z	2
13	1704016C	Hub with flange, slip clutch	1
14	003-4270	Bolt HH M12-1.25x65 C8.8 Z P	2
15	1134008C	Inner disc	1
16	1134007C	Outer flange	1
17	001-5232	Bolt HH M10-1.50x75 C8.8 Z P	8
18	96SE4041C	Shield, complete	1
19	1006065C	Chain, anti-rotation	2
20	1784710C	Locking ring, outer tube; #280018 & above	1
21	1211733C	Stiffening ring; #280018 & above	2
22	1781703C	Standard cone; #280018 & above	1
23	1211735C	Stop ring; #280018 & above	2
24	1881709C	Safety sleeve; #280018 & above	2
25	1773041C	Shield, outer tube	1
26	1872041C	Shield, inner tube	1
27	1781701C	Extra short cone; #280018 & above	1
28	1784711C	Locking ring, inner tube; #280018 & above	1
29	950-463B	Decal "DANGER - Rotating driveline, keep away" outer shield	1
30	950-464B	Decal "DANGER - Guard missing, do not operate" outer tube	1
	050-0408	Driveline w/slip clutch, complete; from #280018 to #366604 ¹²	-

¹⁰ Can be replaced by outer tube w/yoke 1903047NC.

¹¹ Can be replaced by inner tube w/yoke 1913047NC.

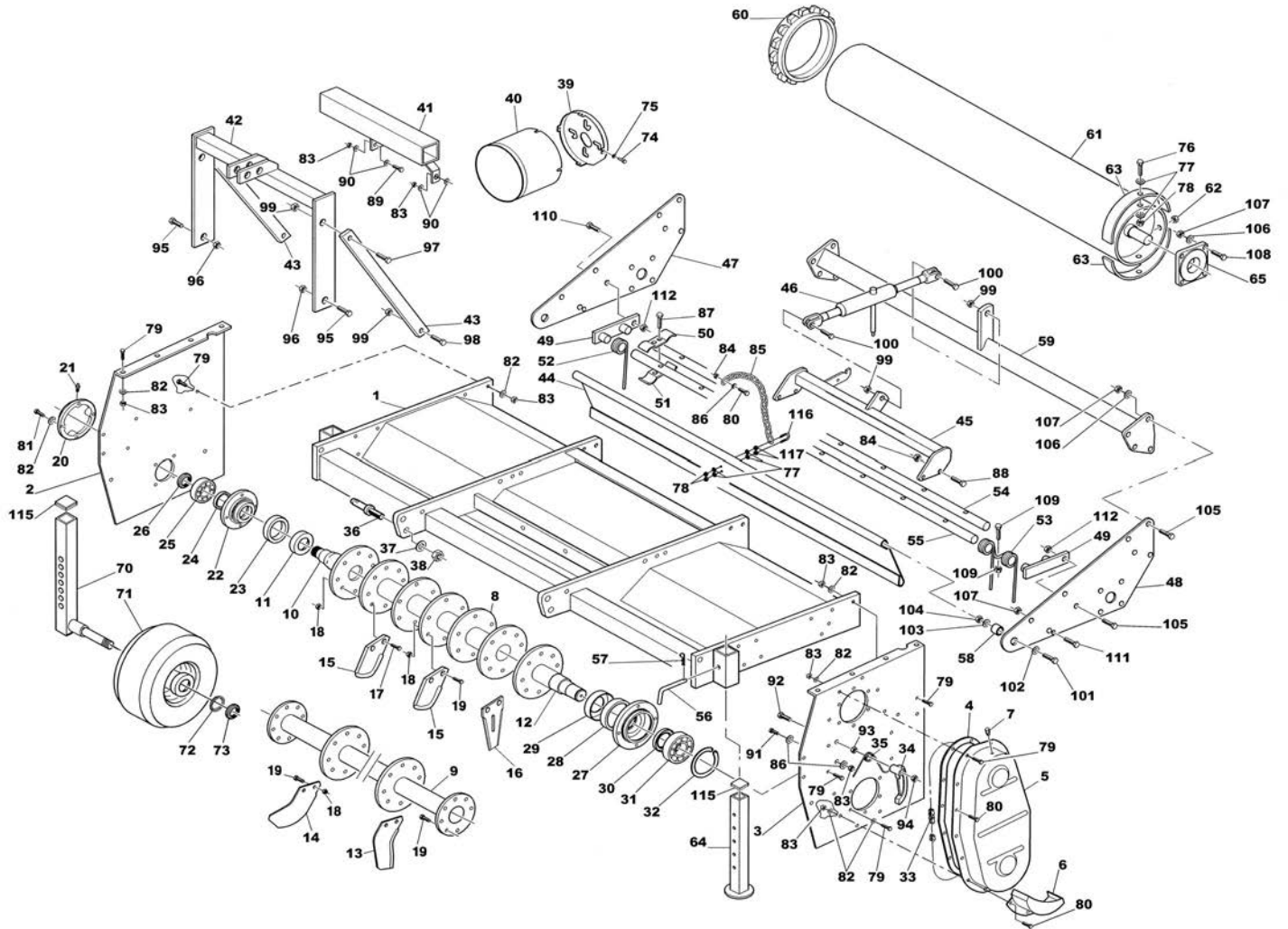
¹² Complete driveline 050-0408 is interchangeable with driveline 050-0053.



Ref.	Part #	Description	Qty.
1	008-7013	Frame 82"; GRT-282 First version only	1
	008-7014	Frame 82"; GRT-282 Ver. A & above	1
2	008-7031	Right side panel	1
3	008-7041	Drive panel	1
4	008-0035	Gasket, chain case cover	1
5	008-0033	Cover, chain case	1
6	008-0027	Protection, chain case cover	1
7	000-1107A	Breather cap	1
8	008-7061	Rotor, aerating 82"; GRT-282	1
9	058-0381	Rotor, tilling 82"; GRT-282 (option)	1
10	008-7052	Flanged pivot, right; GRT-282	1
11	008-0075	Dirt shield	1
12	008-7102	Flanged pivot, left; GRT-282	1
13	000-1071S	"C" blade, left (option) ¹³	20
14	000-1071D	"C" blade, right (option) ¹⁴	20
15	000-2643	Blade, aerating standard	104
16	008-4061	Blade, aerating reversible razor (option)	104
17	008-4073	Bolt SP M12-1.25x40 C12.9 Z P	16
18	002-1105	Nut PT M12-1.25 C6 Z	208
19	000-1073	Bolt SP M12-1.25x35 C8.8 Z P	192
20	008-0111	Outer cover, right	1
21	000-1065	Grease fitting M10-1.00	1
22	008-0114	Right support, complete	1
23	008-0116	Dirt shield	1
24	003-4159	Oil seal 45.60.10	1
25	000-1061	Bearing 6307	1
26	003-7098	Locking ring ES GUK M35-1.50	1
27	008-0131	Rotor support, left	1
28	003-0123	Cover	1
29	008-0091	Dirt shield	1
30	000-5578	Oil seal 55.80.10	1
31	000-1085	Bearing 6309	1
32	000-1087	Snap ring, inner Ø100	1
33	000-1120	Chain ASA 100x36	1
34	000-1115	Chain tensioner	1
35	003-7184	Spring, chain tensioner	1
36	000-5550	Hitch pin	2
37	000-5351	Washer lock Ø20 Z	2
38	000-5542	Nut HH M20-1.50 C6 Z MD	2
39	001-1201	Support, guard	1
40	001-1207	Guard, PTO shaft	1
41	026-8052	Protection, left 82"; GRT-282 First version only	1
	008-7154	Protection, left 82"; GRT-282 Ver. A & above	1
42	008-7176	Three point hitch 82"; GRT-282 First version only	1
	008-7166	Three point hitch 82" (Quick Hitch); GRT-282 Ver. A & above	1
43	008-7182	Top hitch support 82"; GRT-282 First version only	2
	008-7183	Top hitch support 82" (Quick Hitch); GRT-282 Ver. A & above	2
44	008-7372	Rear deflector 82"; GRT-282 #350391 & below	1
	008-7371	Rear deflector 82"; GRT-282 #350392 & above	1

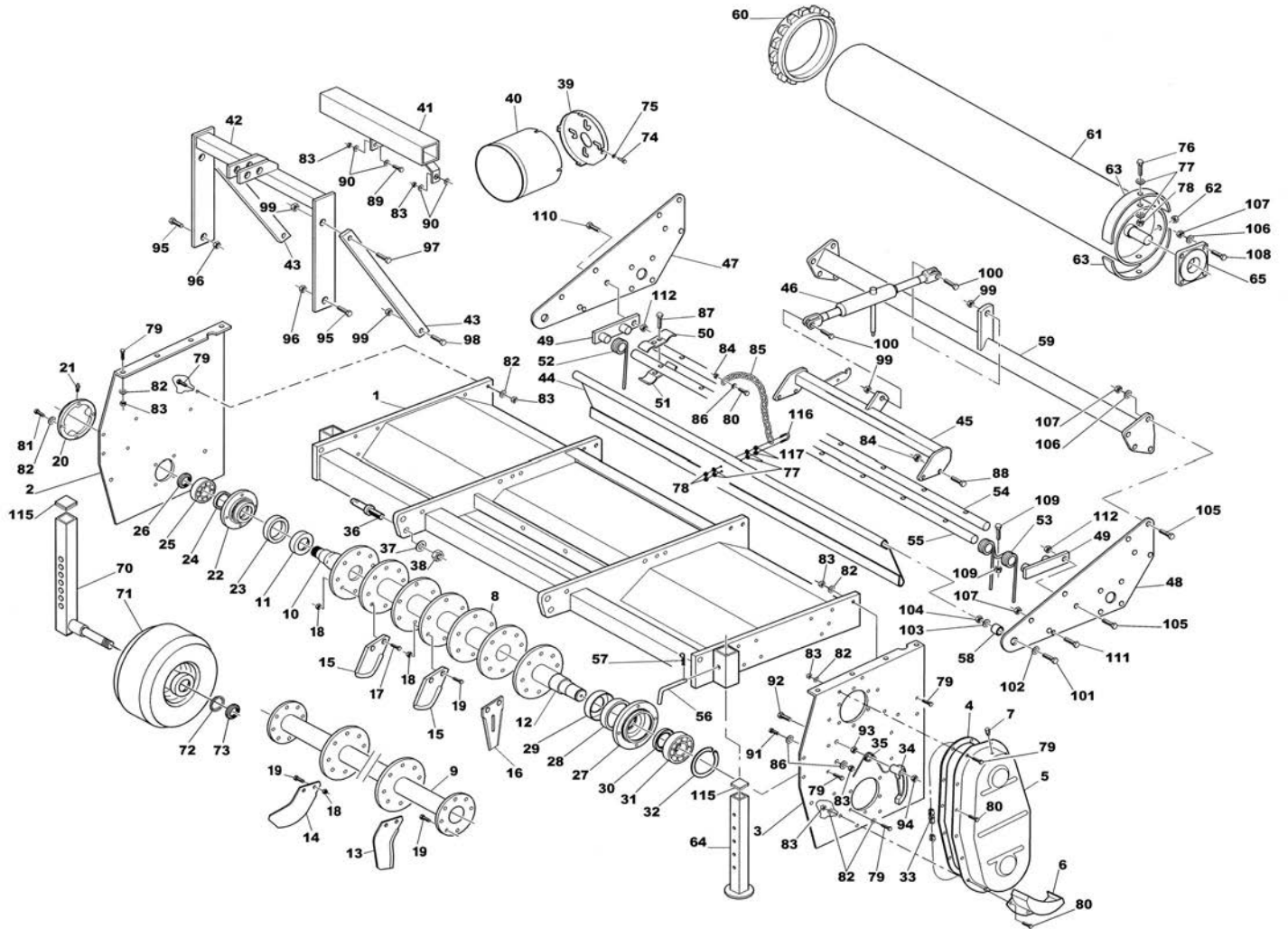
¹³ Blades must be purchased in pairs (right & left blade).

¹⁴ Blades must be purchased in pairs (right & left blade).



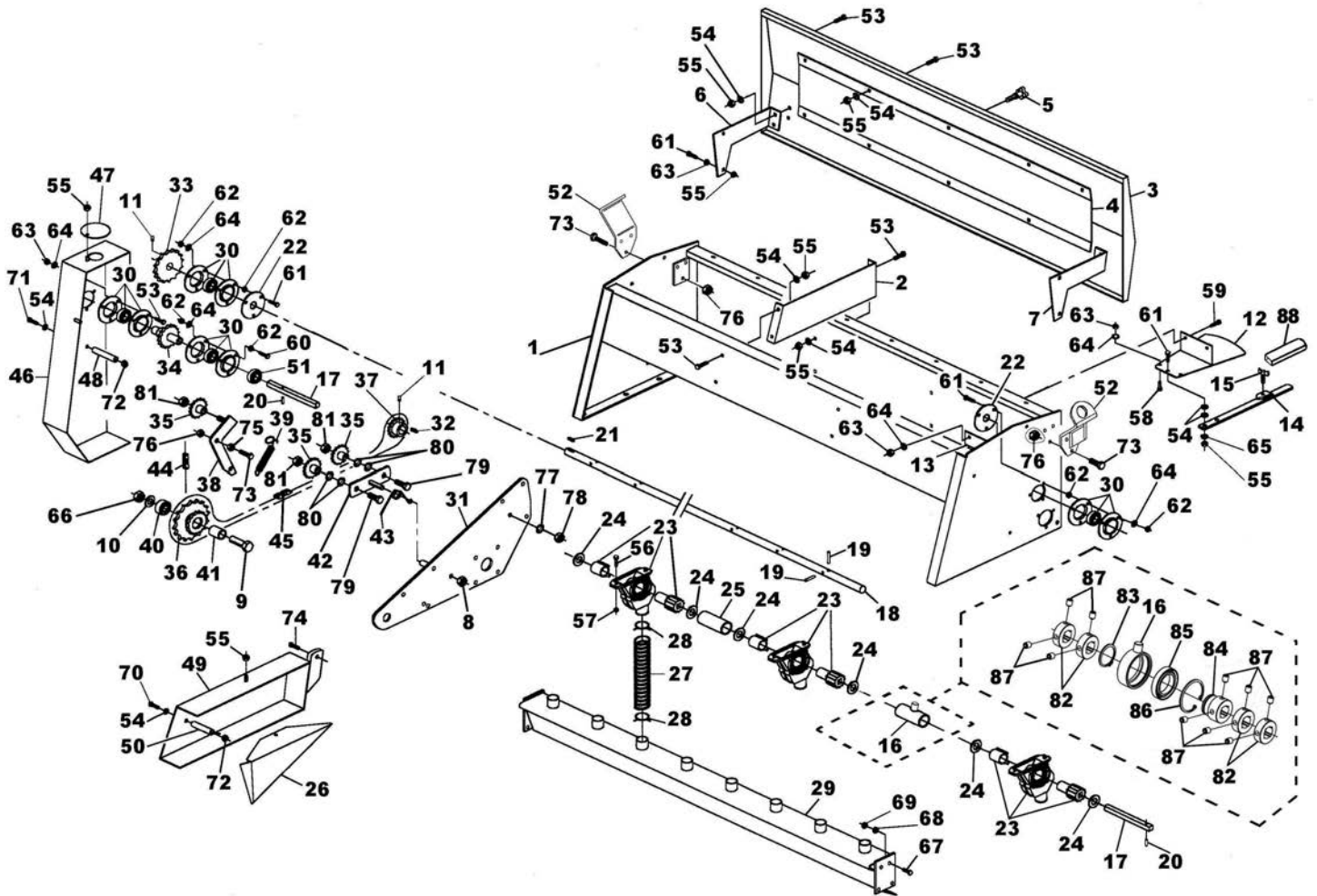
Ref.	Part #	Description	Qty.
45	008-7352	Turnbuckle hitch 82"; GRT-282 First version only	1
	008-7353	Turnbuckle hitch 82"; GRT-282 Ver. A & above	1
46	008-7364	Turnbuckle 82"; GRT-282	1
47	008-4458	Roller arm, right	1
48	008-4457	Roller arm, left	1
49	004-6347	Pivot assembly	2
50	004-6351	Locking plate, top	2
51	014-6351	Locking plate, bottom	2
52	004-6360	Tickler tooth ½ spring	1
53	004-6358	Tickler tooth spring	19
54	008-7442	Tickler bar, rear 82"; GRT-282	1
55	008-7444	Tickler bar, front 82"; GRT-282	1
56	008-4619	Pin locking Ø12x80 Z	1
57	001-5240	Hairpin cotter Ø3 Z	1
58	004-8470	Spacer, roller arm	2
59	008-7402	Rear crossbar 82"; GRT-282	1
60	004-6322	Corrugated roller ring, nylon-fiberglass	32
	008-8589	Corrugated roller ring, cast iron (option)	32
61	008-7415	Leveling roller 82"; GRT-282	1
62	004-6325	Cap	2
63	004-6323	End ring	4
64	008-7564	Stand 82"; GRT-282	1
65	004-6331	Support UCF 207 TF	2
70	008-7633	Wheel support; until 10/06 (option)	2
	008-4670	Wheel support; since 11/06 (option)	2
71	008-4673	Air tire; until 10/06 (option) ¹⁵	2
	002-3929A	Bearing, needle; air tire #008-4673 (not shown)	4
	002-3930A	Retainer, wheel; air tire #008-4673 (not shown)	4
	006-7402	Air tire; since 11/06 (option)	2
	005-1706	Bearing, air tire #006-7402 (not shown)	4
	004-4134	Wheel cover, air tire #006-7402 (not shown)	4
72	000-6606	Shim Ø25x35x2	2
73	000-6610	Lynch pin Ø6x46; until 10/06	2
	000-6698	Nut SP M25-1.50 Z; since 11/06	2
74	001-1210	Bolt PN M06-1.00x12 C4.6 Z F	4
75	001-1209	Washer fender Ø6 Z	4
76	009-1446	Bolt HH M08-1.25x25 C8.8 Z F	8
77	001-5230	Washer flat Ø08 W	20
78	001-1328	Nut PT M08-1.25 C6 Z TK	10
79	003-3176	Bolt HH M10-1.50x25 C8.8 Z F	32
80	000-1278	Bolt HH M10-1.50x30 C8.8 Z F	7
81	009-1281	Bolt HH M10-1.50x35 C8.8 Z F	4
82	000-1280	Washer lock Ø10 Z	42
83	000-1279	Nut HH M10-1.50 C6 Z TK	35
84	003-0156	Nut PT M10-1.50 C6 TK Z	5
85	000-7257	Chain Ø06	1
86	003-0157	Washer fender Ø10 Z	3
87	000-8037	Bolt HH M08-1.25x50 C8.8 Z F	4
88	003-8614	Bolt HH M10-1.50x40 C8.8 Z F	4

¹⁵ Wheel no longer available. Order (q.ty 1) wheel (#006-7402) and (q.ty 1) wheel support (#008-4670) when replacing wheel.

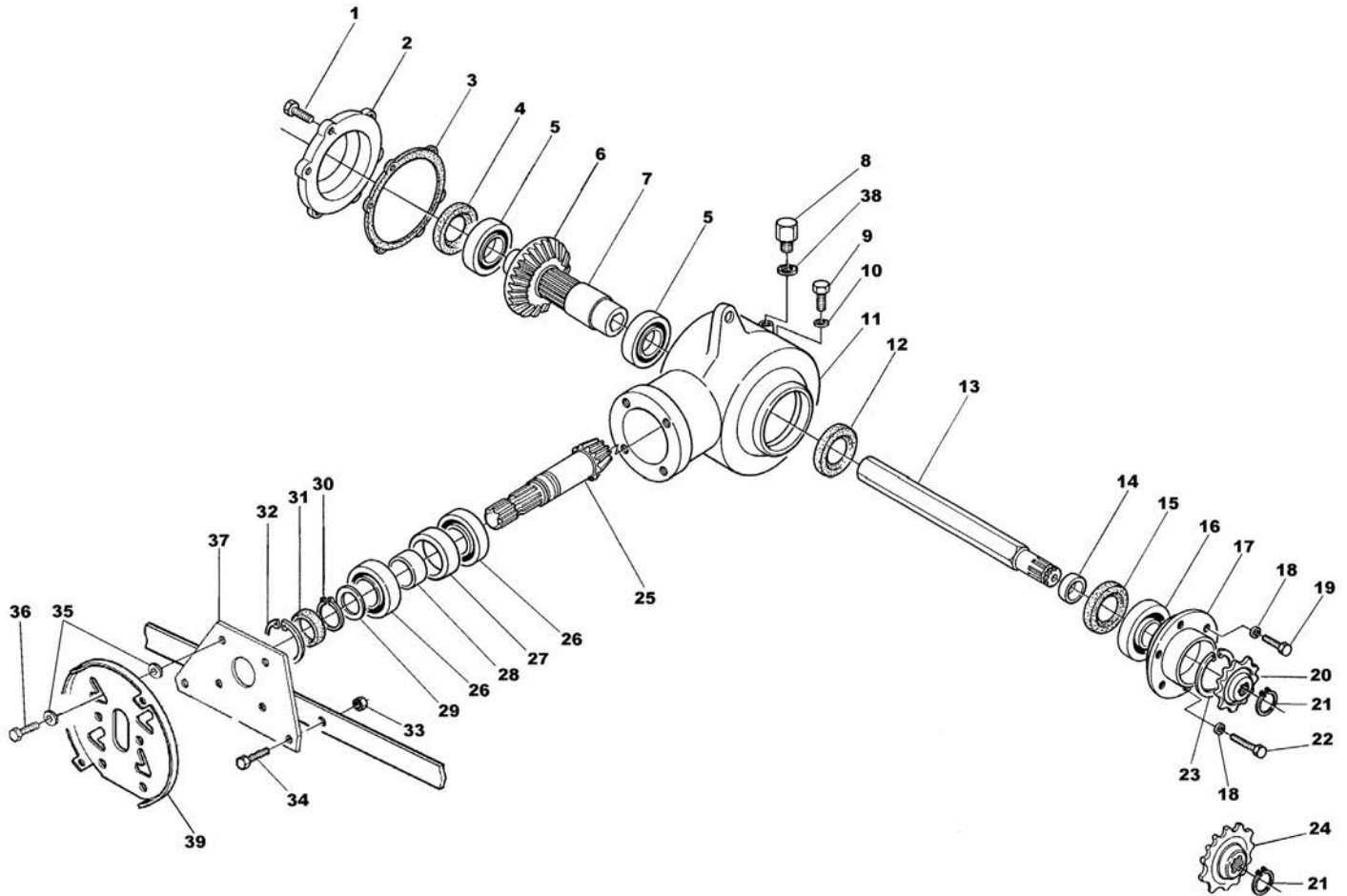


Ref.	Part #	Description	Qty.
89	002-6329	Bolt HH M10-1.50x45 C8.8 Z F	1
90	000-2034	Washer flat Ø10 W	4
91	003-0640	Bolt HH M10-1.50x65 C8.8 Z F	1
92	008-0150	Bolt HH M14-2.00x75 C8.8 Z F	1
93	000-1177	Nut HH M14-2.00 C6 Z MD	1
94	008-0152	Nut HH M14-2.00 C6 N TN	1
95	000-5540	Bolt HH M20-2.50x55 C8.8 Z F	2
96	000-5507	Nut PT M20-2.50 C6 Z TK	2
97	007-4232	Bolt HH M14-2.00x40 C8.8 Z F	2
98	003-7349	Bolt HH M14-2.00x45 C8.8 Z F	2
99	003-0358	Nut PT M14-2.00 C6 Z TK	6
100	002-9317	Bolt HH M14-2.00x50 C8.8 Z F	2
101	003-7386	Bolt HH M18-2.50x80 C8.8 Z F	2
102	005-0049	Washer flat Ø18 Y	2
103	000-3366	Washer lock Ø18 Z	2
104	003-8370	Nut HH M18-2.50 C6 Z MD	2
105	002-3265	Bolt HH M12-1.75x40 C8.8 Z F	9
106	000-1077	Washer lock Ø12 Z	16
107	000-3038	Nut HH M12-1.75 C6 Z TK	18
108	003-0054	Bolt HH M12-1.75x50 C8.8 Z F	8
109	004-6362	Bolt CR M10-1.50x50 C4.6 Z P	20
110	008-4577	Stop bolt	1
111	000-3037	Bolt HH M12-1.75x25 C8.8 Z F	2
112	003-0064	Nut PT M12-1.75 C6 TK Z	2
115	008-2760	Plastic cap 50 mm.	1
116	001-1327	Bolt "U" M08-1.25x21x51 Z; #350392 & above	1
117	004-6545	Nut HH M08-1.25 C6 Z MD; #350392 & above	2
Accessories:			
	009-9567	Tilling rotor 82" w/tines, complete; GRT-282 (option)	-
	009-9875	Gauge wheels, complete: GRT-250, 258, 266, 282 (option)	-

Ref.	Part #	Description	Qty.
1	008-7201	Hopper 82"; GRT-282	1
2	008-7207	Hopper support 82"; GRT-282	3
3	008-7214	Hopper lid 82"; GRT-282	1
4	008-7217	Lid support 82"; GRT-282	1
5	008-4310	Knob, plastic, autolocking	1
6	018-4302	Hopper hinge, right	1
7	028-4302	Hopper hinge, left	1
8	003-0358	Nut PT M14-2.00 C6 Z TK	1
9	008-4558	Bolt HH M20-2.50x90 C8.8 Z F	1
10	004-6555	Washer flat Ø20 Z	1
11	008-4376	Set screw M10-1.50x08 C14.9 N	2
12	008-4332	Calibration plate	1
13	004-6472	Plate	1
14	004-6561	Calibration handle	1
15	004-6465	Bolt wing M10-1.50x20 C5 Z	1
16	004-8331	Spacer, calibration handle; #296780 & below	1
	008-4342	Support, calibration handle; #296781 & above	1
17	008-7293	Drive rod 82"; GRT-282	1
18	008-7297	Auger shaft 82"; GRT-282	1
19	004-6521	Roll pin Ø6x60	22
20	000-6605	Roll pin Ø6x32	2
21	000-6639	Key 8x7x25	1
22	004-6525	Closing flange	2
23	004-6531	Seed cup assembly	11
24	008-4415	Washer, flat square hole	24
25	004-8391	Spacer, drive rod	9
26	008-4610	Cover plate	1
27	008-7316	Fertilizer tube 28 cm.	11
28	004-6533	Wire ring clamp	22
29	008-7342	Discharge support 82"; GRT-282	1
30	004-6541	Support, complete	4
31	008-4458	Roller arm, right	1
32	000-6688	Key 7x8x35	1
33	008-4527	Sprocket Z22, auger shaft	1
34	008-4528	Sprocket Z15, drive rod	1
35	004-6644	Idler sprocket Z14	3
36	008-4552	Sprocket assembly	1
37	008-4582	Sprocket Z13	1
38	008-4534	Chain tensioner support	1
39	005-1740	Spring	1
40	008-4556	Bearing 4204	1
41	008-4559	Spacer, sprocket assembly; until 11/98	1
	008-7499	Spacer, sprocket assembly; since 11/98	1
42	008-4572	Chain adjuster support	1
43	008-4576	Spring, chain adjuster support	1
44	008-7528	Chain ASA 50x96	1
45	008-4588	Chain ASA 50x92	1
46	008-7532	Upper cover, chain case	1
47	008-4596	Access cover, chain case	1
48	008-4599	Spacer, upper cover	1
49	008-4601	Lower cover, chain case	1

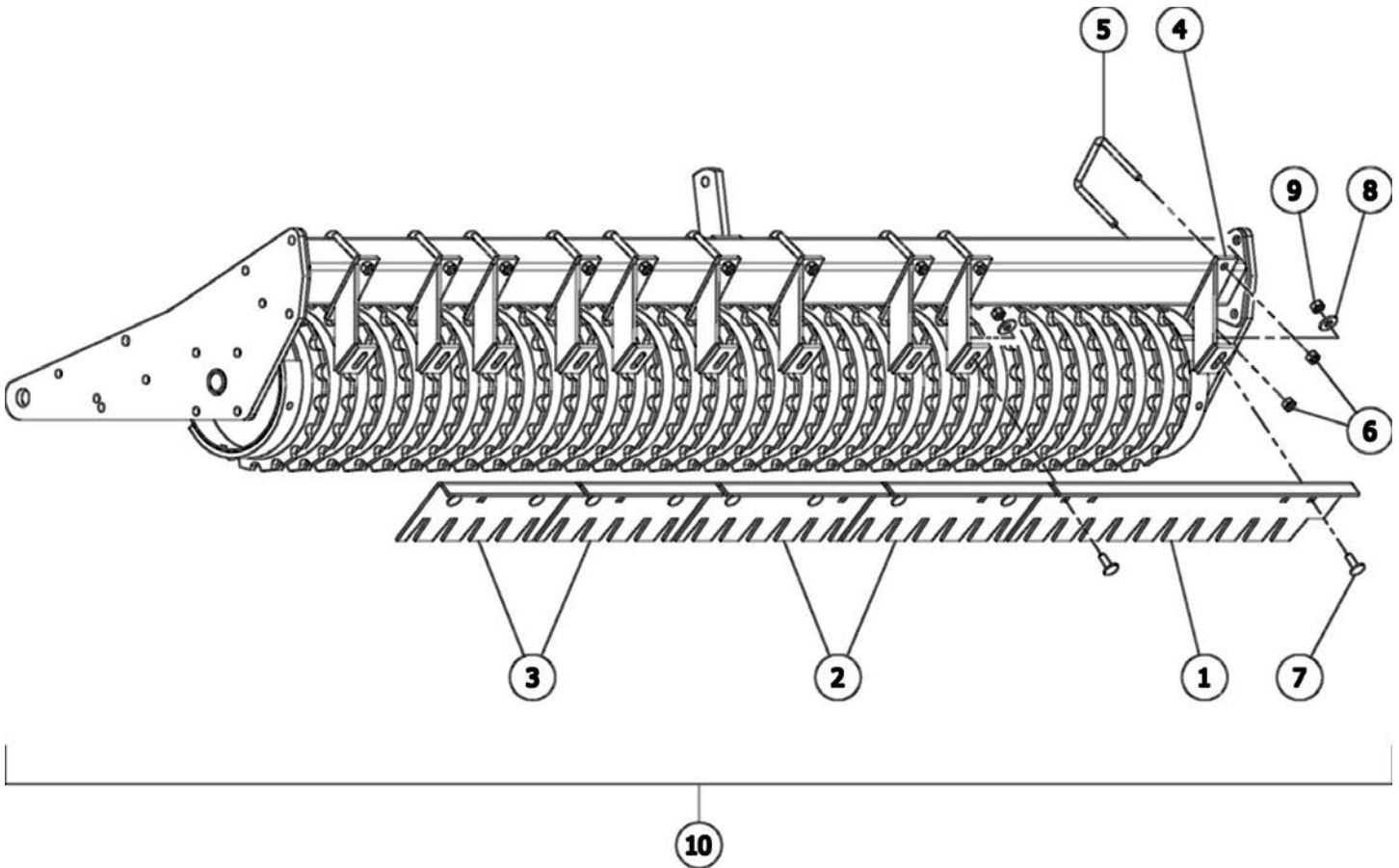


Ref.	Part #	Description	Qty.
50	008-4607	Spacer, lower cover	1
51	008-4375	Collar Ø25, shaft	1
52	008-4284	Lift hook; #270182 & above	2
53	008-4289	Bolt CR M08-1.25x20 C4.6 Z	29
54	000-2034	Washer flat Ø10 W	30
55	009-1384	Nut ES M08-1.25 Z TK	31
56	008-8748	Bolt CR M06-1.00x20 C4.6 Z	22
57	200-3001	Nut kep M06-1.00 Z	22
58	004-6454	Bolt HH M08-1.25x16 C8.8 Z F	2
59	001-5012	Bolt HH M08-1.25x20 C8.8 Z F	2
60	009-1446	Bolt HH M08-1.25x25 C8.8 Z F	3
61	004-6543	Bolt HH M08-1.25x30 C8.8 Z F	9
62	004-6545	Nut HH M08-1.25 C6 Z MD	18
63	000-1806	Nut HH M08-1.25 C6 Z TK	9
64	000-3144	Washer lock Ø8 Z	16
65	001-5230	Washer flat Ø08 W	1
66	000-5507	Nut PT M20-2.50 C6 TK Z	1
67	000-1278	Bolt HH M10-1.50x30 C8.8 Z F	8
68	000-1280	Washer lock Ø10 Z	8
69	000-1279	Nut HH M10-1.50 C6 Z TK	8
70	001-5273	Bolt HH M10-1.50x110 C8.8 Z P	1
71	001-5263	Bolt HH M10-1.50x120 C8.8 Z P	1
72	001-4106	Nut ES M10-1.50 Z TK	2
73	000-7255	Bolt HH M12-1.75x35 C8.8 Z F	7
74	002-3265	Bolt HH M12-1.75x40 C8.8 Z F	1
75	001-7223	Nut HH M12-1.75 C6 Z TN	1
76	003-0064	Nut PT M12-1.75 C6 Z TK	7
77	000-1077	Washer lock Ø12 Z	1
78	000-3038	Nut HH M12-1.75 C6 Z TK	1
79	009-1038	Bolt HH M16-2.00x50 C8.8 Z F	2
80	000-8568	Washer flat Ø16 W	4
81	000-5581	Nut PT M16-2.00 C6 Z TK	3
82	008-4357	Locking collar, square hole; #296781 & above	4
83	001-0122	Snap ring, outer Ø30; #296781 & above	1
84	008-4352	Adjustment collar, square hole; #296781 & above	1
85	008-4346	Bearing 61906 2RS; #296781 & above	1
86	005-0144	Snap ring, inner Ø47; #296781 & above	1
87	008-4354	Set screw M08x8; #296781 & above	10
88	008-4345	Grip, calibration handle	1

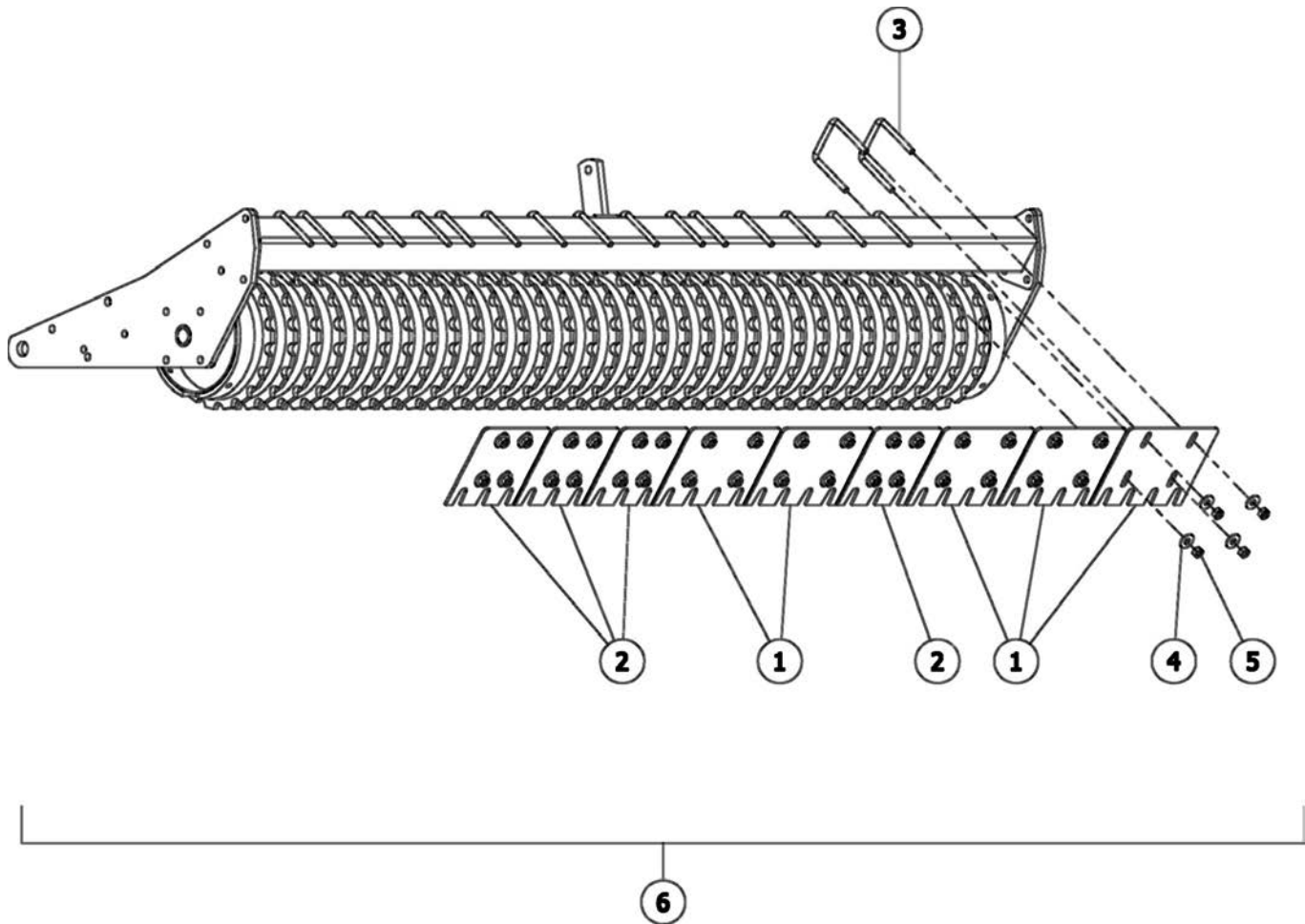


Ref.	Part #	Description	Qty.
1	000-6349	Bolt HH M10-1.50x20 C8.8 Z F	6
2	008-0205	Gear cover	1
3	018-0206	Gasket 0.2	-
	028-0206	Gasket 0.5	-
4	008-0202	Oil seal 60.75.8	1
5	000-1139	Bearing 6212	2
6	008-0213	Ring gear	1
7	008-0195	Shaft coupling	1
8	000-1107A	Breather cap	1
9	000-2365	Bolt HH M16-2.00x50 C8.8 Z P	1
10	000-8568	Washer flat Ø16 W	1
11	008-0194	Housing, gearbox	1
12	000-2071	Oil seal 60.80.10	1
13	058-0182	Hexagonal shaft 82"; GRT-282	1
14	000-3049	Spacer	1
15	000-5578	Oil seal 55.80.10	1
16	000-1085	Bearing 6309	1
17	008-0172	Top shaft flange	1
18	000-1280	Washer lock Ø10 Z	6
19	003-3176	Bolt HH M10-1.50x25 C8.8 Z F	5
20	008-0162	Sprocket Z12	1
21	001-2028	Snap ring, outer Ø45	2
22	002-6329	Bolt HH M10-1.50x45 C8.8 Z F	1
23	000-1087	Snap ring, inner Ø100	1
24	008-0142	Sprocket Z14	1
25	008-0214	Pinion gear	1
26	000-1148A	Bearing 6308	2
27	005-3257	Outer spacer	1
28	005-3253	Inner spacer	1
29	000-6685	Shim Ø40x50x2.5	1
30	000-8138	Snap ring, outer Ø40	1
31	005-4290	Oil seal 40.90.8 BASL	1
32	000-8137	Snap ring, inner Ø90	1
33	003-0358	Nut PT M14-2.00 C6 Z TK	2
34	007-4232	Bolt HH M14-2.00x40 C8.8 Z F	2
35	000-2265	Washer flat Ø12 W	8
36	001-5255	Bolt HH M12-1.75x30 C8.8 Z F	4
37	008-0233	Front cover, gearbox	1
38	000-6691	Gasket	1
39	001-1201	Support, guard	1
	050-0613	Gearbox 540 rpm, complete ¹⁶	-

¹⁶ Fill using approx. 61 fl.oz. (1.9 qt.) of SAE 90W gear oil.

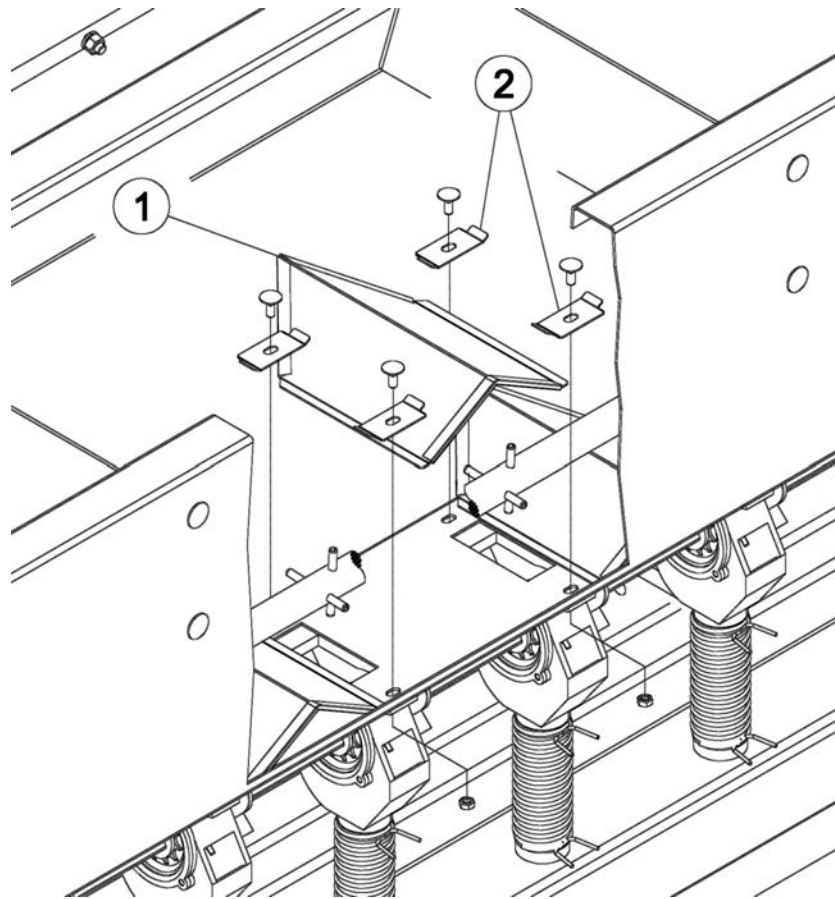


Ref.	Part #	Description	Qty.
1	008-7644	Plate, roller scraper w/11 teeth; GRT-282	1
2	008-4683	Plate, roller scraper w/12 teeth; GRT-282 until 12/18	2
	018-4683	Plate, roller scraper w/7 teeth; GRT-282 since 01/19	2
3	028-4683	Plate, roller scraper w/6 teeth; since 01/19	2
4	008-4685	Support, roller scraper	10
5	008-4693	Bolt "U" M10-1.50x80x103 Z	10
6	003-0156	Nut PT M10-1.50 C6 Z TK	20
7	000-1036	Bolt CR M10-1.50x30 C4.6 Z	10
8	003-0157	Washer fender Ø10 Z	10
9	001-4106	Nut ES M10-1.50 Z TK	10
10	009-9568	Roller scraper 82", complete; GRT-282 (option)	-

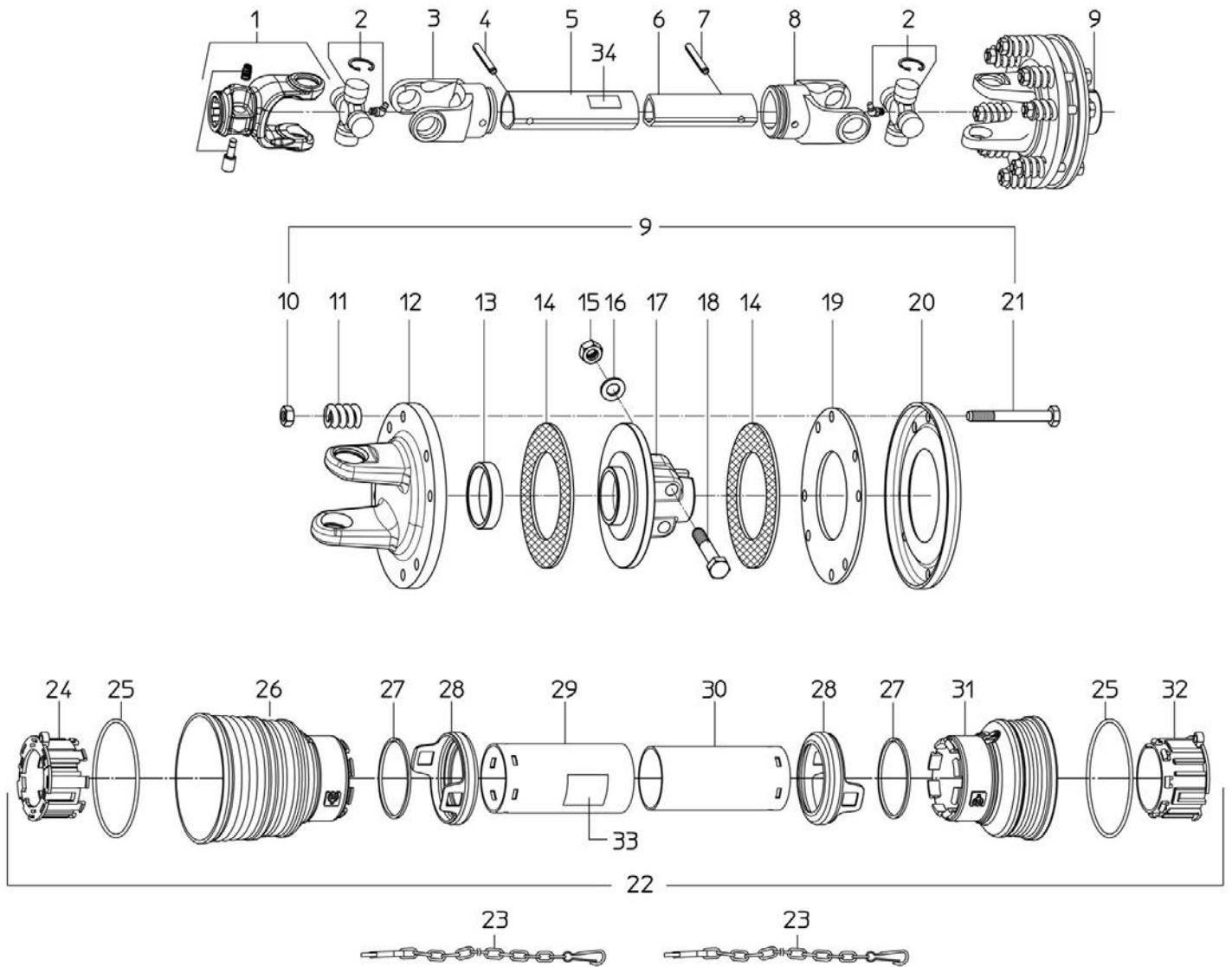


Ref.	Part #	Description	Qty.
1	008-4690	Plate, roller scraper w/5 teeth	5
2	008-4689	Plate, roller scraper w/4 teeth	4
3	008-4693	Bolt "U" M10-1.50x80x103 Z	18
4	003-0157	Washer fender Ø10 Z	36
5	001-4106	Nut ES M10-1.50 Z TK	36
6	009-9192	Roller scraper 82", complete; GRT-282 (option)	-

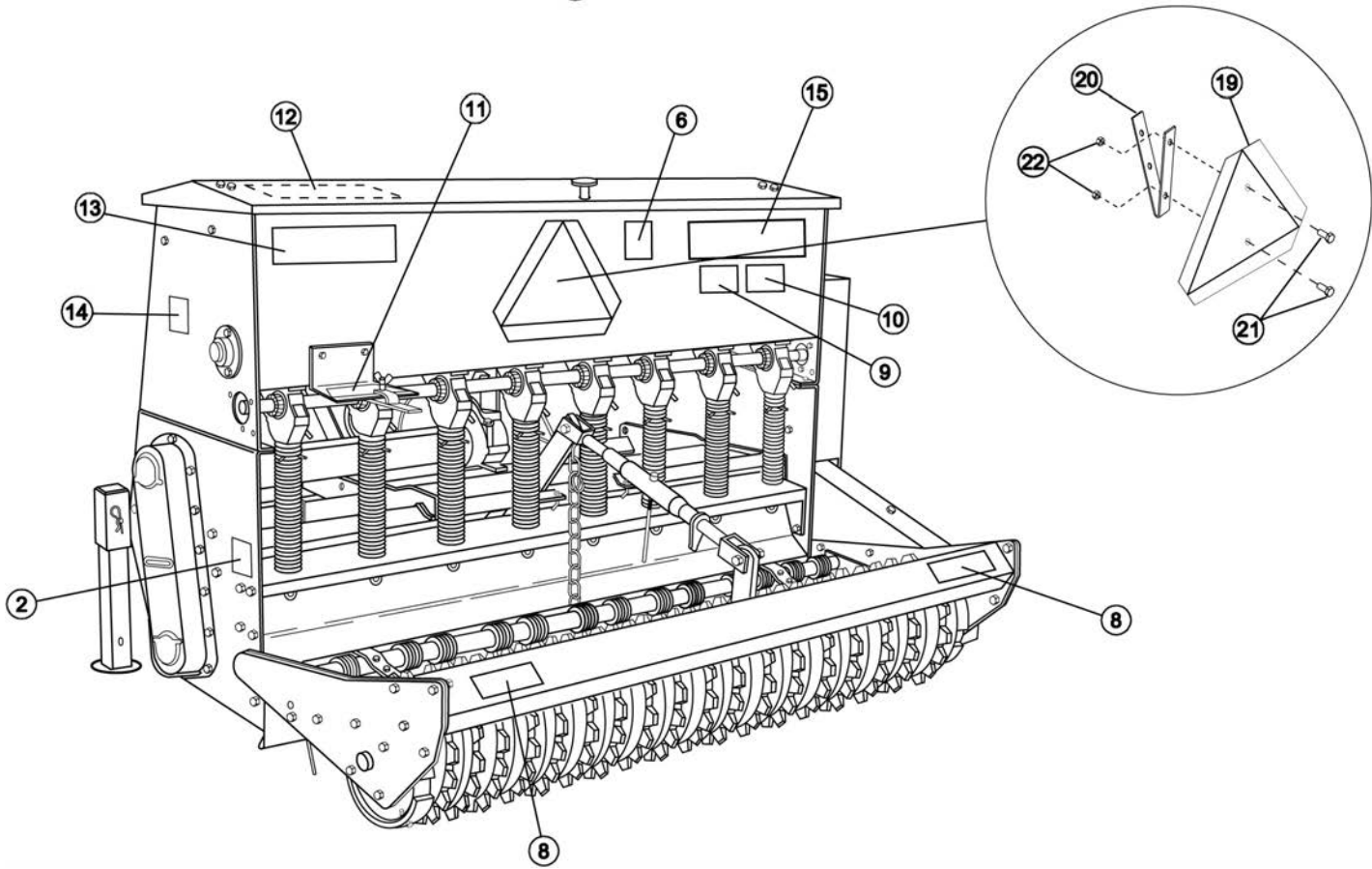
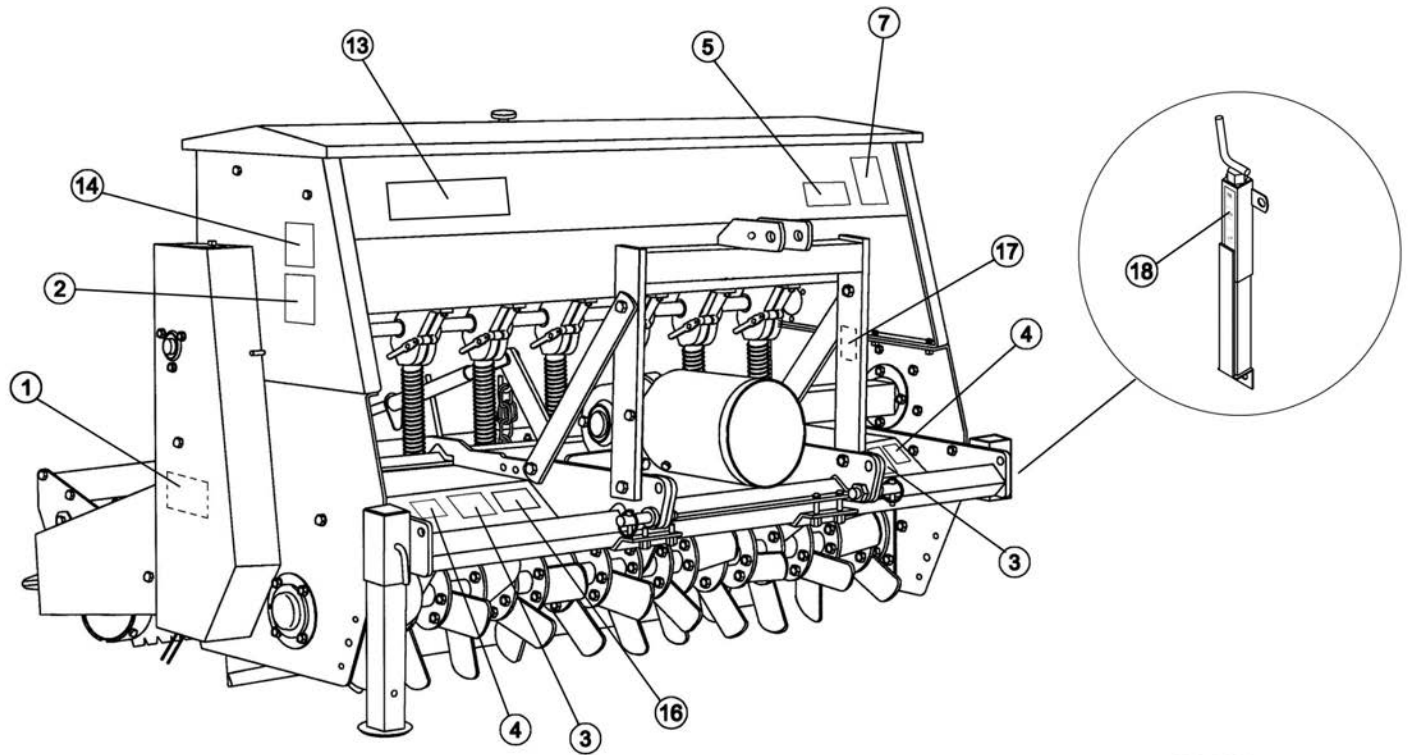
Ref.	Part #	Description	Qty.
1	008-4640	Register screw, complete; since 11/18	2
	018-7597	Register screw right, complete; until 10/18	1
	028-7597	Register screw left, complete; until 10/18	1
2	009-1507	Hairpin cotter Ø4 Z	2
3	000-8576	Bolt HH M20-2.50x65 C8.8 Z F	2
4	005-1129	Grease fitting M06-1.00 threaded	2
5	003-2371	Bolt HH M14-2.00x55 C8.8 Z F	2
6	009-1435	Washer flat Ø14 Z	4
7	008-4641	Bushing, register screw; since 11/18	2
8	000-5507	Nut PT M20-2.50 C6 Z TK	2
9	002-3265	Bolt HH M12-1.75x40 C8.8 Z F	4
10	008-4631	Roller arm	2
11	003-0358	Nut PT M14-2.00 C6 Z TK	4
12	003-7514	Support UCFL 206 TF	2
13	000-2265	Washer flat Ø12 Z	4
14	003-0064	Nut PT M12-1.75 C6 Z TK	4
15	000-1018	Bolt HH M14-2.00x45 C8.8 Z P	2
16	003-8614	Bolt HH M10-1.50x40 C8.8 Z F	4
17	008-4633	Plate	2
18	000-3038	Nut HH M12-1.75 C6 Z TK	4
19	008-4642	Spacer, roller arm	2
20	003-0156	Nut PT M10-1.50 C6 Z TK	4
21	008-4619	Hitch pin	2
22	001-5240	Hairpin cotter Ø3 Z	2
23	008-4661	Hitch tube, register screw; since 11/18	2
24	008-7572	Front gauge roller 82"; GRT-282	1
25	000-1526	Bolt HH M14-2.00x35 C8.8 Z F; until 10/18	2
26	006-4377	Bolt HH M18-2.50x45 C8.8 Z F; until 10/18	2
27	001-7506	Nut PT M18-2.50 C6 Z TK; until 10/18	2
	009-9566	Front gauge roller 82", complete; GRT-282 (option)	-



Ref.	Part #	Description	Qty.
1	008-8740	Seed conveyor; GRT-282	10
2	008-8742	Fixing plate, seed conveyor; GRT-282	22
	009-9142	Seed conveyors, complete; GRT-282 (option)	-



Ref.	Part #	Description	Qty.
1	1026010C	PTO yoke (tractor end)	1
2	1006020C	Cross w/bearing	2
3	1706027C	Yoke, outer tube	1
4	003-2204	Roll pin Ø10x80	1
5	1528048C	Outer tube	1
6	1526048C	Inner tube	1
7	000-016E	Roll pin Ø10x70	1
8	1706029C	Yoke, inner tube	1
9	1346018C	Slip clutch, complete (implement end)	1
10	003-0156	Nut PT M10-1.50 C6 ZC	8
11	1215012C	Spring, slip clutch	8
12	1706005C	Yoke, slip clutch	1
13	1705009C	Bushing	1
14	1805010C	Friction disc	2
15	000-1075	Nut HH M12-1.25 C6 ZC TK	2
16	000-1077	Washer lock M12 ZC	2
17	1705005C	Body, slip clutch	1
18	000-5672	Bolt HH M12-1.25x70 C 8.8 Z P	2
19	1135008C	Inner disc	1
20	1135007C	Pressure disc	1
21	001-9360	Bolt HH M10-1.50x85 C 8.8 Z P	8
22	90SC6038C	Shield, complete	1
23	1006065C	Chain, anti-rotation	2
24	1786710C	Locking ring, outer tube	1
25	1215733C	Stiffening ring	2
26	1785703C	Standard cone	1
27	1215735C	Stop ring	2
28	1885709C	Safety sleeve	2
29	1776038C	Shield, outer tube	1
30	1877038C	Shield, inner tube	1
31	1785702C	Extra short cone	1
32	1786711C	Locking ring, inner tube	1
33	950-463B	Decal "DANGER - Rotating driveline, keep away" outer shield	1
34	950-464B	Decal "DANGER - Guard missing, do not operate" outer tube	1
	050-0427	Driveline w/slip clutch, complete	-



Ref.	Part #	Description	Qty.
1	950-213B	Decal "DANGER - Replace shield"	1
2	950-486B	Decal "DANGER - Moving parts hazard"	2
3	950-342B	Decal "DANGER - Crushing hazard"	2
4	950-209B	Decal "DANGER - Rotating blades hazard"	2
5	950-109B	Decal "DANGER - Avoid injury from PTO"	1
6	950-343B	Decal "WARNING - Falling hazard"	1
7	950-417B	Decal "CAUTION - Read operator's manual"	1
8	950-366B	Decal, red reflective	2
9	950-286B	Decal "GRT"	1
10	950-240B	Decal "250"	1
	950-241B	Decal "258"	1
	950-242B	Decal "266"	1
	950-289B	Decal "282"	1
11	937-0116	Decal "Seed calibration scale"	1
12	950-293B	Decal "Seed distribution table"	1
13	950-107B	Decal "BEFCO"	2
14	950-104B	Decal "B" logo	2
15	950-291B	Decal "Green-Rite"	1
16	950-381B	Decal "BEFCO INC." address	1
17	950-940B	Decal "Quick hitch compatible"	1
18	937-0117	Decal "Guage roller height" (for front guage roller); until 10/18	2
19	950-352B	SMV plastic emblem (option)	1
20	503-680B	Mounting bracket SMV (option)	1
21	001-1208	Bolt HH M06-1.00x12 C4.6 Z F	2
22	200-3001	Nut kep M06-1.00 Z	2
	971-128B	Parts Manual "Green-Rite 250, 258, 266 & 282"	1
	971-130B	Operator's Manual "Green-Rite 250, 258, 266 & 282"	1

Use only original spare parts

All rights reserved. It is unlawful to copy, reprint or use any of the information or details in this manual without the expressed written permission of the Company. Technical information provided in this manual is approximate, the Company reserves the right to modify or improve the models shown for technical or commercial purposes. Pictures in this manual do not necessarily show the machine as delivered.

BEFCO[®]

P.O. Box 6036
Rocky Mount, NC 27802-6036
Tel.: 252.977.9920 - Fax: 252.977.9718
www.befco.com

