

# **BEFCO®**

## **Parts Manual**

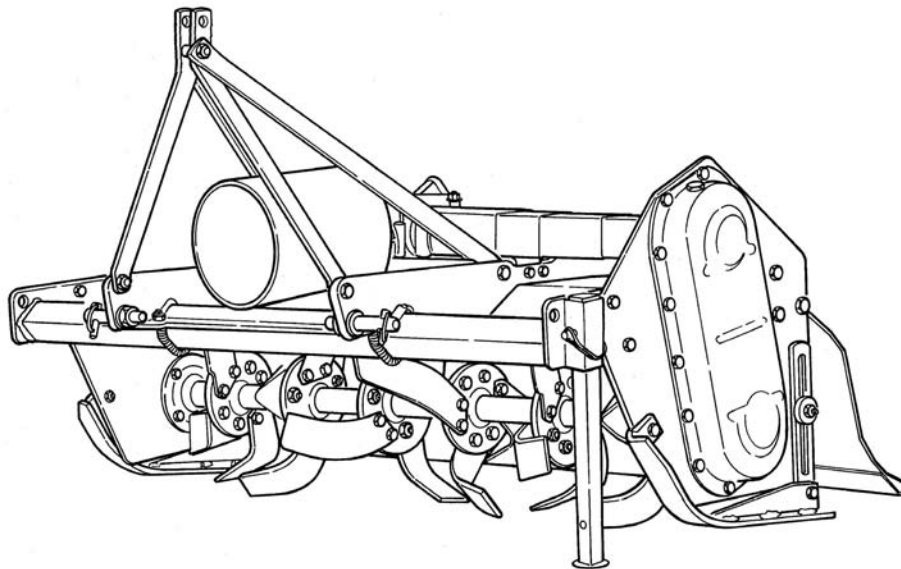
### **TILL-RITE**

#### **Side-Shift Rotary Tiller**

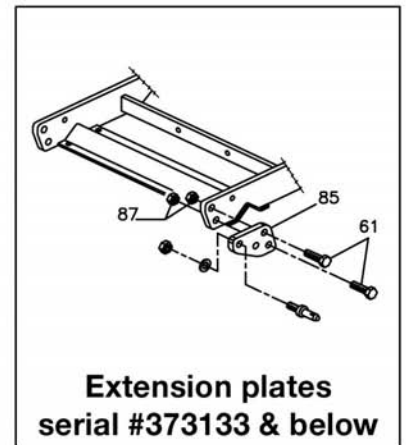
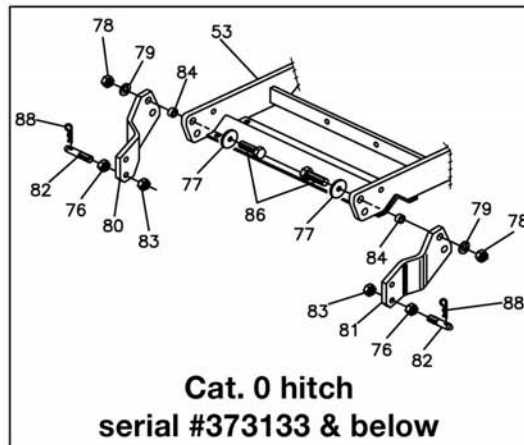
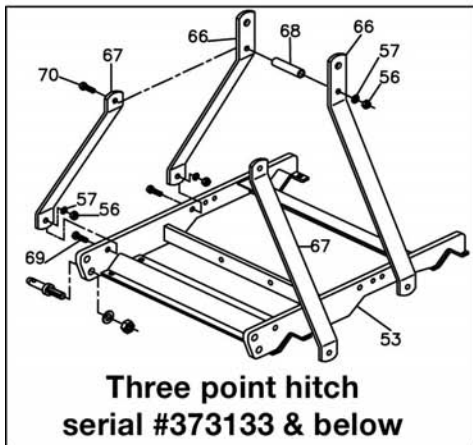
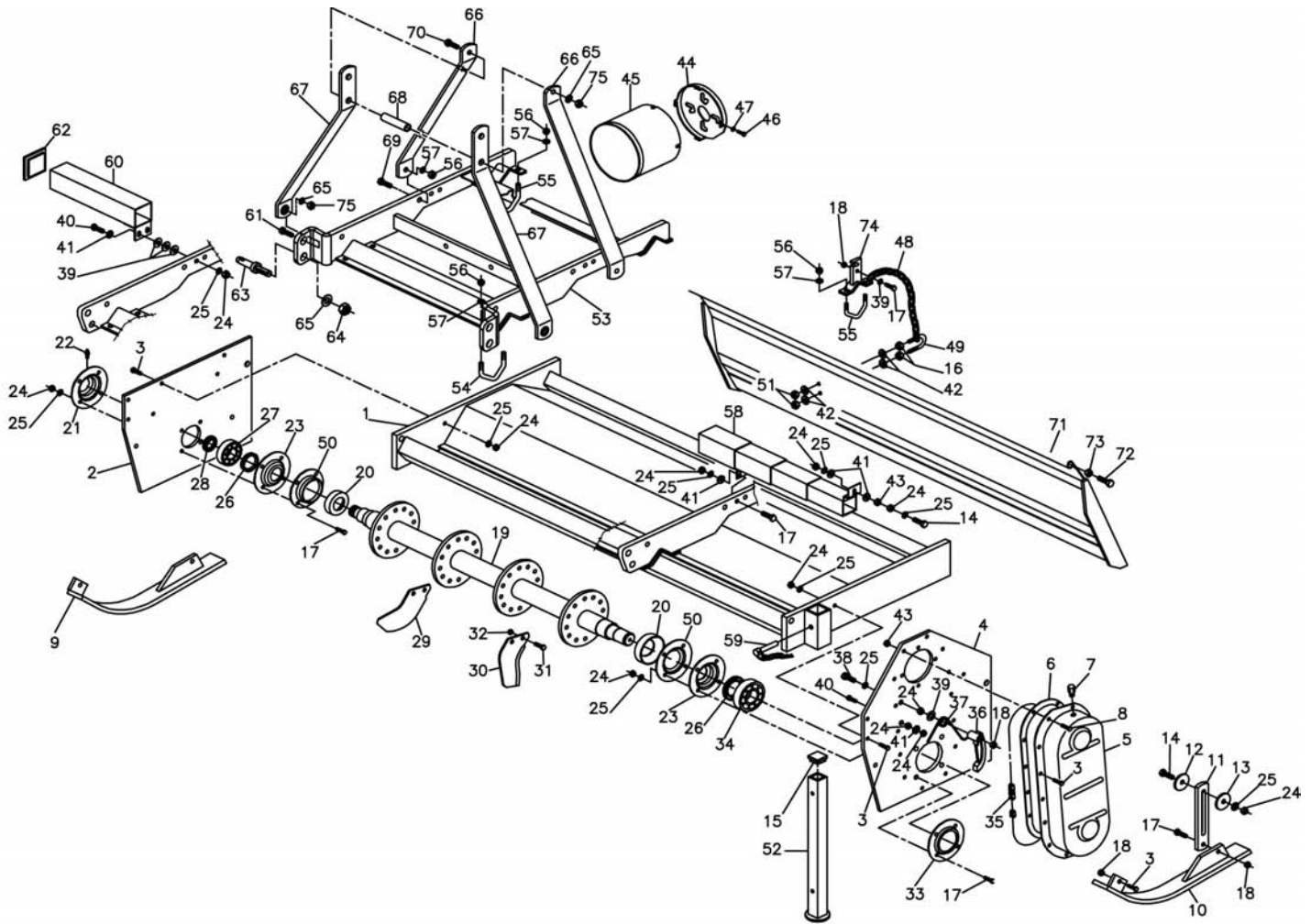
**T30-134, 234, 534**

**T30-142, 242, 542**

**T30-150, 250, 550**



**Manual 972-100B  
December 2020**

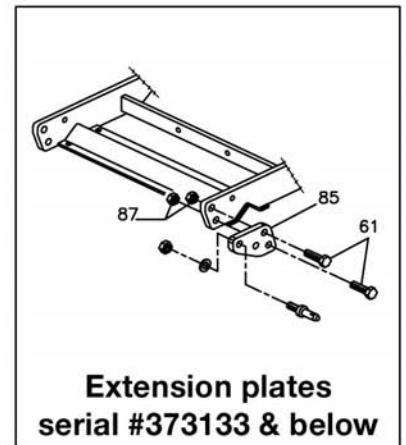
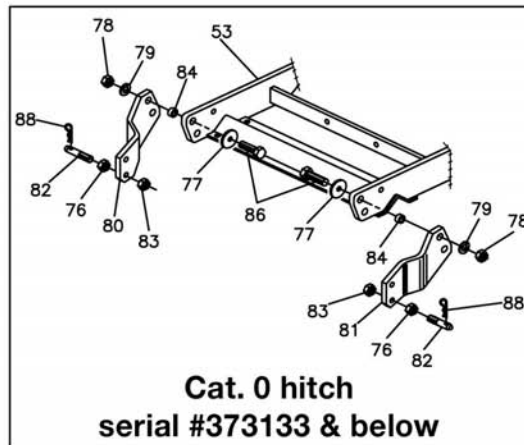
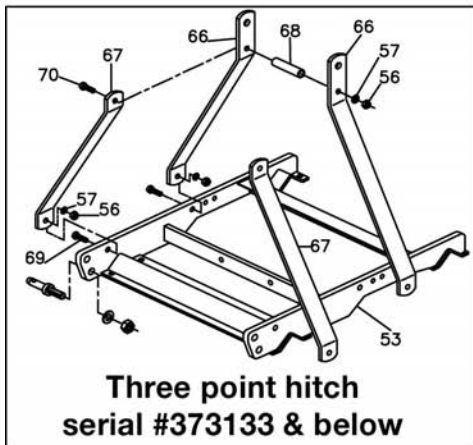
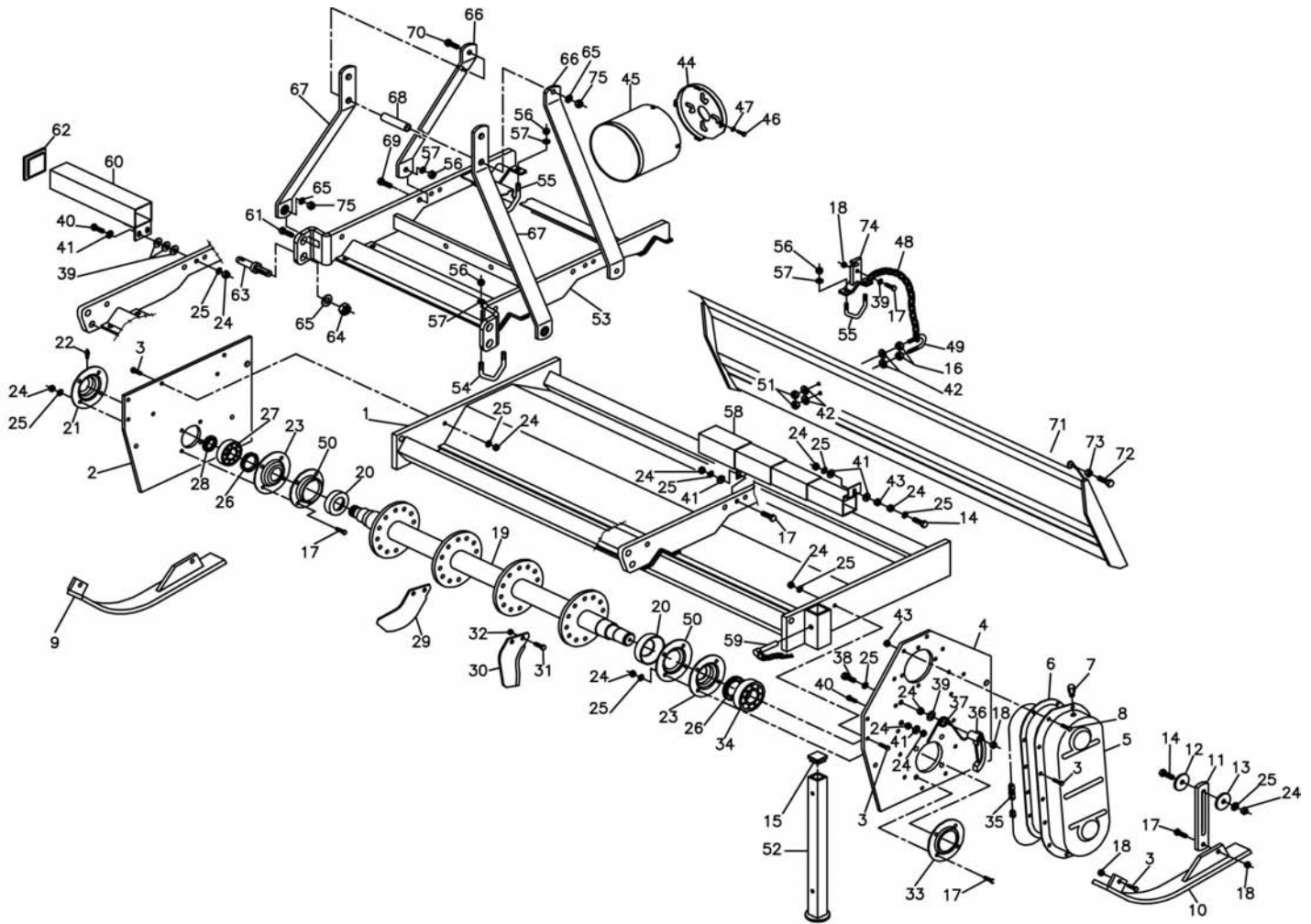


T30-134, 234, 534, 142, 242, 542, 150, 250, 550

Ref.	Part #	Description	Qty.
1	011-1002	Frame 34"	1
	021-1002	Frame 42"	1
	031-1002	Frame 50"	1
2	001-1011	Side panel, right	1
3	003-3176	Bolt HH M10-1.50x25 C8.8 Z F	14
4	001-1021	Drive panel	1
5	001-1030	Cover, chain case	1
6	002-2032	Gasket, chain case cover	1
7	000-1107A	Breather cap	1
8	000-6349	Bolt HH M10-1.50x20 C8.8 Z F	12
9	011-1041	Skid, right	1
10	021-1041	Skid, left	1
11	002-1051	Adjustment arm	2
12	002-1052	Washer threaded Ø10 Z	2
13	002-1053	Washer w/hole Ø10 Z	2
14	003-0331	Bolt HH M10-1.50x50 C8.8 Z F	3
15	001-1336	Plastic cap 30 mm.	1
16	004-6545	Nut HH M08-1.25 C6 Z MD	2
17	000-1278	Bolt HH M10-1.50x30 C8.8 Z F	13
18	003-0156	Nut PT M10-1.50 C6 Z	6
19	013-4081	Rotor 34"	1
	023-4081	Rotor 42"	1
	033-4081	Rotor 50"	1
20	002-2074	Dirt shield (requires welding)	2
21	003-0091	Outer cover, right	1
22	000-1065	Grease fitting M10-1.00 threaded	1
23	003-0092	Inner cover	2
24	000-1279	Nut HH M10-1.50 C6 Z TK	29
25	000-1280	Washer lock Ø10 Z	27
26	003-4098	Oil seal 40.60.10	2
27	003-0094	Bearing 6306	1
28	003-0095	Locking ring ES GUK M30-1.50	1
29	003-0104D	Tine "C" style, right <sup>1</sup>	-
30	003-0104S	Tine "C" style, left <sup>2</sup>	-
31	002-1104	Bolt HH M12-1.25x30 C8.8 Z P	-
32	002-1105	Nut PT M12-1.25 C6 Z	-
33	001-0102	Outer cover, lower left	1
34	002-5332	Bearing 6207	1
35	001-0125	Chain ASA 60HEx46 (540 rpm); T30-134, 234, 142, 242, 150, 250	1
	001-1124	Chain ASA 60Ex47 (2000 rpm); T30-534, 542, 550	1
36	003-0148	Chain tensioner	1
37	003-0158	Spring, chain tensioner	1
38	003-0640	Bolt HH M10-1.50x65 C8.8 Z F	1
39	003-0157	Washer flat Ø10 Z	8
40	002-6329	Bolt HH M10-1.50x45 C8.8 Z F	3
41	000-2034	Washer flat Ø10 Z	7
42	001-5230	Washer flat Ø08 Z	4
43	009-0150	Nut HH M10-1.50 C6 Z MD	15

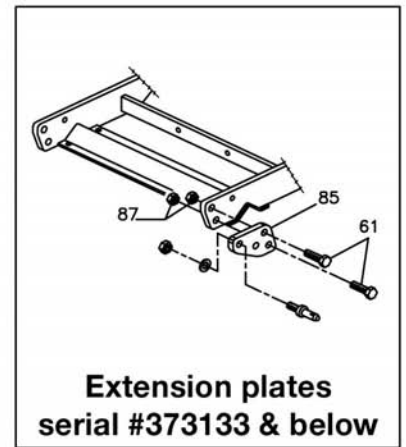
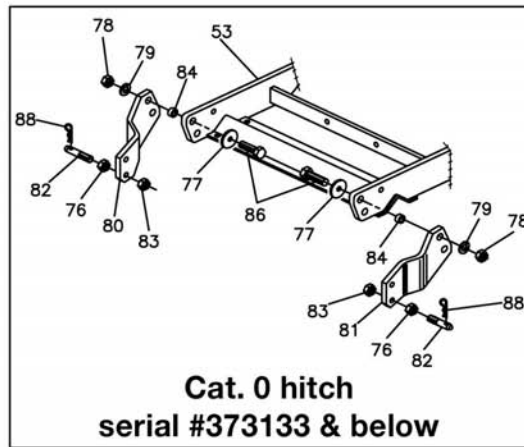
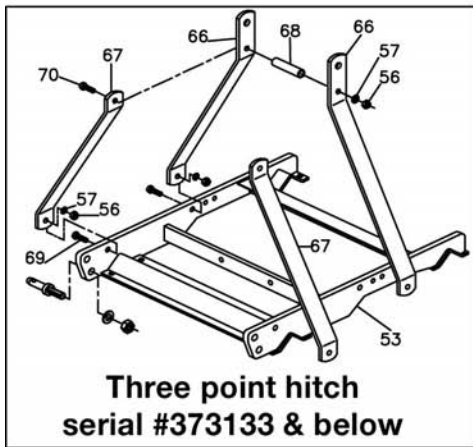
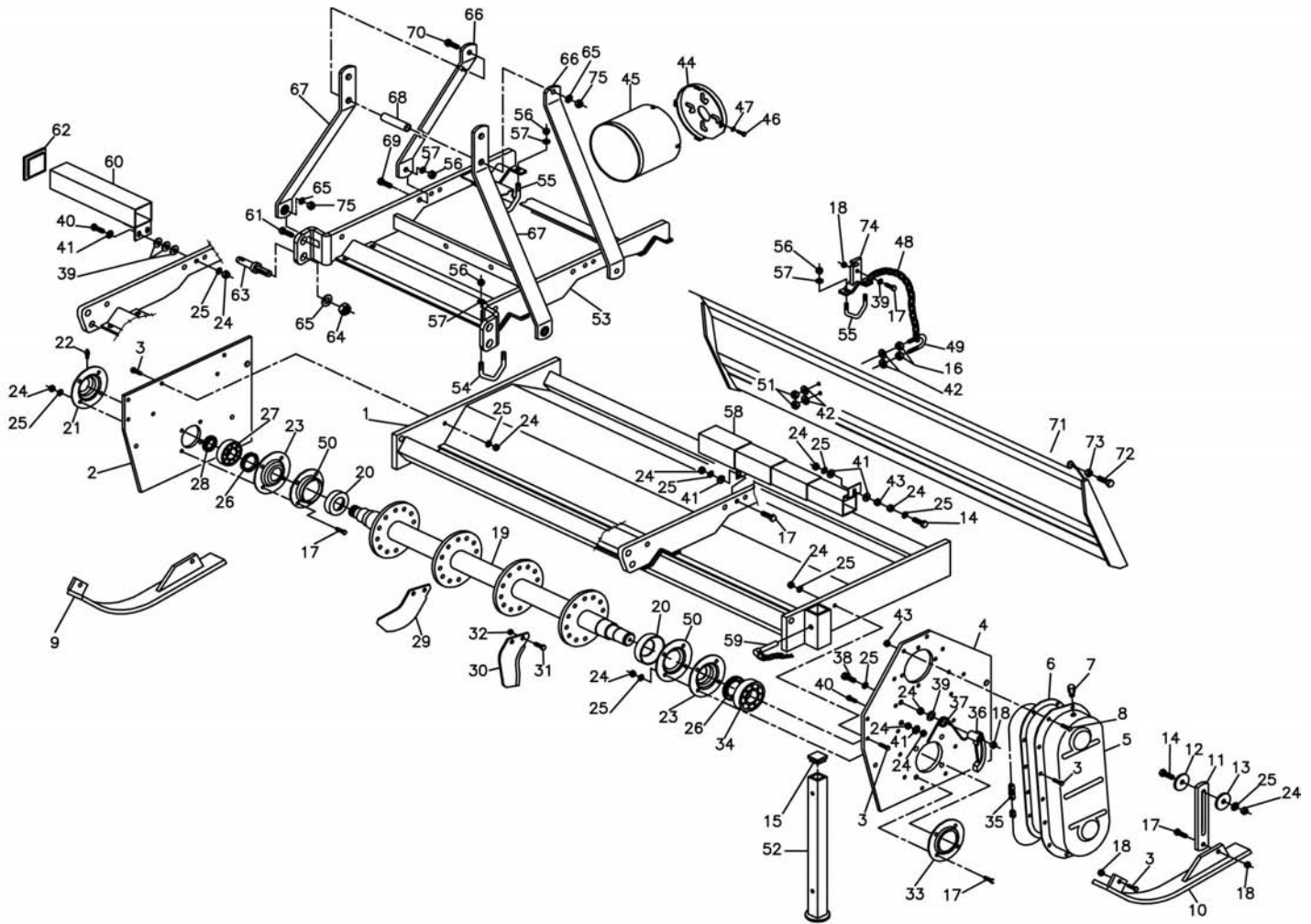
<sup>1</sup> Blades must be purchased in pairs (right and left tines).

<sup>2</sup> Blades must be purchased in pairs (right and left tines).



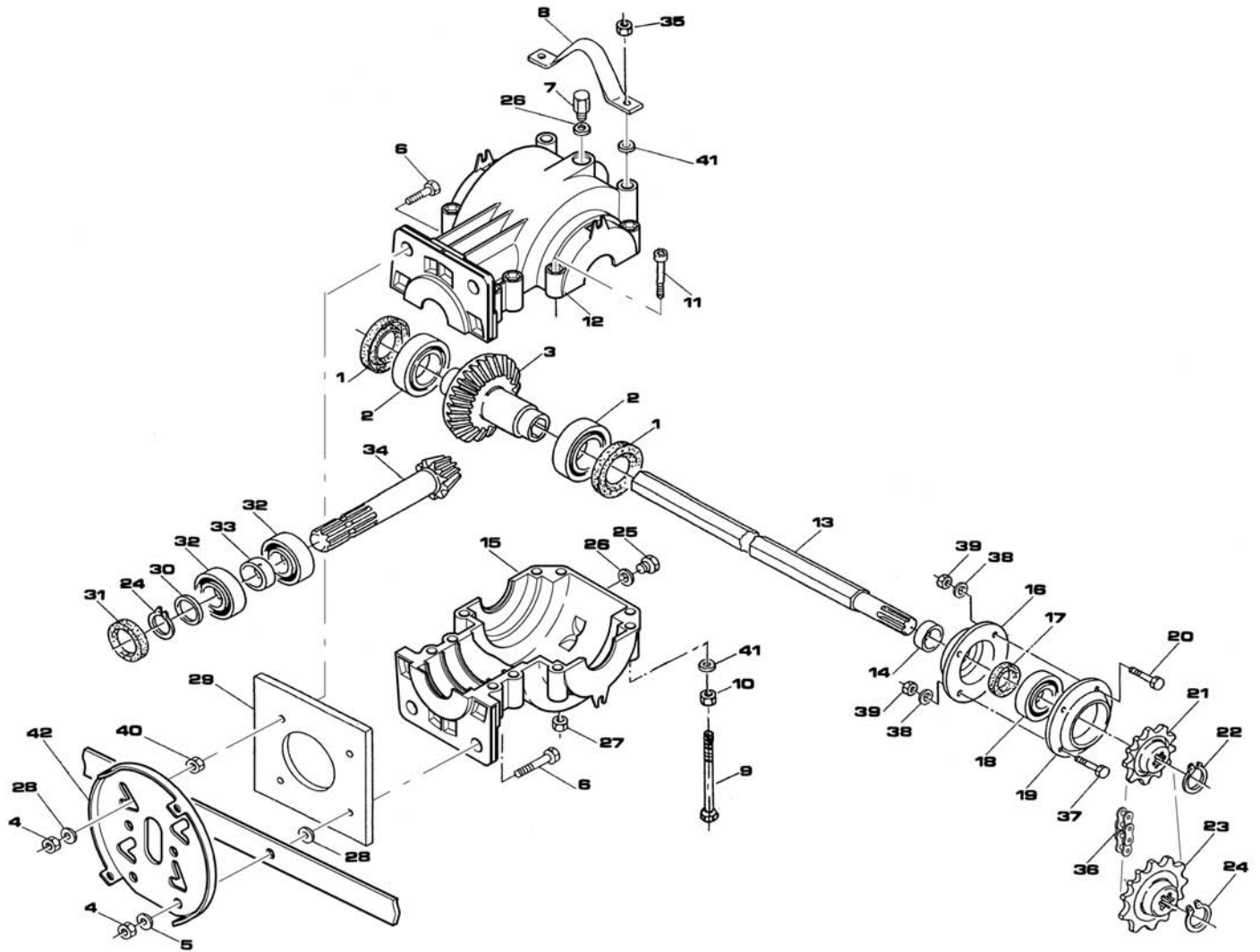
T30-134, 234, 534, 142, 242, 542, 150, 250, 550

Ref.	Part #	Description	Qty.
44	001-1201	Support, guard	1
45	001-1207	Guard, PTO shaft	1
46	001-1210	Bolt PN M6-1.00x12 C4.8 Z F	4
47	001-1209	Washer fender Ø06 Z	4
48	001-0318	Chain	1
49	001-1327	Bolt "U" M08-1.25x21x51 Z	1
50	001-0073	Cover	2
51	001-1328	Nut PT M08-1.25 C6 N	2
52	001-1332	Stand	1
53	001-1241	Side shift complete; Ver. C & below	1
	001-1231	Side shift complete; Ver. D	1
	001-1221	Side shift complete; Ver. E & above (#373134 & above)	1
54	001-1251	Bolt "V" M12-1.75x67x73 Z	2
55	001-1253	Bolt "V" M12-1.75x54x65 Z	3
56	000-3038	Nut HH M12-1.75 C6 Z TK	15
57	000-1077	Washer lock Ø12 Z	15
58	011-1260	Telescopic shielding 34"-42"; T30-X34, X42	1
	021-1260	Telescopic shielding 50"; T30-X50	1
59	001-1333	Lynch pin Ø10x70	1
60	011-1265	Right protection 34"-42"; T30-X34, X42	1
	021-1265	Right protection 50"; T30-X50	1
61	006-3225	Bolt HH M20-2.50x50 C8.8 Z F	2
62	005-8330	Plastic cap 60 mm.	1
63	000-5550	Hitch pin	2
64	000-5542	Nut HH M20-1.50 C6 Z MD	2
65	000-5351	Washer lock Ø20 Z	5
66	001-1282	Arm, top hitch cat. 1; #373133 & below	2
	001-1385	Arm, top hitch cat. 0 (option); #373133 & below	2
	001-1284	Arm, top hitch cat. 1 and quick hitch; #373134 & above	2
67	001-1283	Support, top hitch cat. 1; #373133 & below	2
	001-1386	Support, top hitch cat. 0 (option); #373133 & below	2
	001-1285	Support, top hitch cat. 1 and quick hitch; #373134 & above	2
68	002-1285	Spacer cat. 1; #373133 & below	1
	001-1398	Spacer cat. 0 (option); #373133 & below	1
	001-6116	Bushing; #373134 & above	1
69	002-3265	Bolt HH M12-1.75x40 C8.8 Z F	2
70	001-1292	Bolt HH M12-1.75x110 C8.8 Z P; #373133 & below	1
	001-6535	Bolt HH M20-2.50x120 C8.8 Z P; #373134 & above	1
71	018-6399	Tailgate 34"; T30-X34	1
	028-6399	Tailgate 42"; T30-X42	1
	038-6399	Tailgate 50"; T30-X50	1
72	003-0309	Bolt HH M16-2.00x70 C8.8 Z F	2
73	000-3124	Nut HH M16-2.00 C6 Z MD	2
74	001-1311	Chain hitch	1
75	000-5350	Nut HH M20-2.50 C6 Z TK; #373134 & above	3
76	000-3124	Nut HH M16-2.00 C6 Z MD	2
77	007-6106	Washer fender Ø12 Z; until 06/1998	2
78	003-0064	Nut PT M12-1.75 C6 Z TK; until 06/1998	4
	000-5507	Nut PT M20-2.50 C6 Z TK; since 06/1998	4
79	000-1077	Washer lock Ø12 Z; until 06/1998	2
80	011-1401	Hitch plate, right cat. 0 (option)	1



T30-134, 234, 534, 142, 242, 542, 150, 250, 550

Ref.	Part #	Description	Qty.
81	021-1401	Hitch plate, left cat. 0 (option)	1
82	001-1403	Hitch pin	2
83	004-1165	Nut ES M16-2.00 Z TN	2
84	001-1388	Spacer until 06/1998	2
85	001-1278	Extension, lower hitch (option for serial #373133 & below)	2
86	003-0054	Bolt HH M12-1.75x50 C8.8 Z F; until 06/1998	4
	000-5540	Bolt HH M20-2.50x55 C8.8 Z F; since 06/1998	4
87	000-5507	Nut PT M20-2.50 C6 Z TK	4
88	009-1507	Hairpin cotter Ø4 Z	2

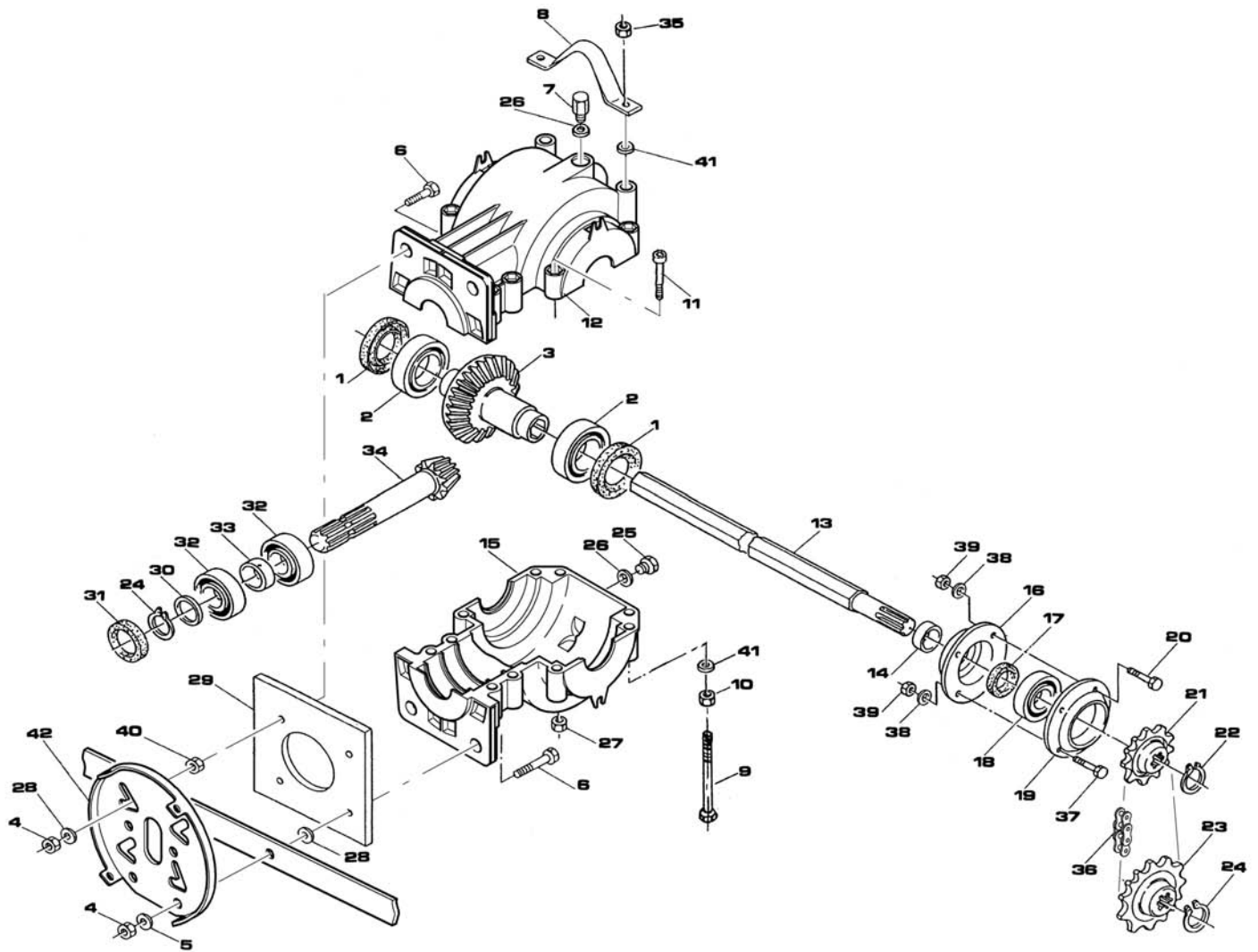




Ref.	Part #	Description	Qty.
1	001-0192	Oil seal 40.68.10	2
2	001-2149A	Bearing 6208	2
3	001-0182	Ring gear Z23, complete	1
4	000-1106	Nut HH M12-1.75 C6 Z MD	4
5	000-1077	Washer lock Ø12 Z	2
6	003-0054	Bolt HH M12-1.75x50 C8.8 Z F	4
7	001-0177	Breather cap	1
8	001-0175	Lift plate; Ver. C & below	1
	001-0176	Lift plate; Ver. D & above	1
9	010-1215	Bolt HH M10-1.50 x 140 8.8 Z P	2
10	000-3038	Nut HH M12-1.75 C6 Z TK	2
11	001-0171	Bolt SC M08-1.25 x 50 C8.8 Z P	8
12	001-0164	Housing w/center fill hole, gearbox; Ver. B & below <sup>3</sup>	1
	001-1421	Housing w/fins w/fill hole, gearbox; Ver. C only	1
	001-1423	Housing w/fill hole, gearbox; Ver. D & above	1
13	011-0158	Hexagonal shaft 34"	-
	021-0158	Hexagonal shaft 42"	-
	031-0158	Hexagonal shaft 50"	-
14	001-0148	Spacer	1
15	330-0101	Housing w/center fill hole, gearbox; Ver. B & below <sup>4</sup>	1
	005-1896	Housing w/fins w/o fill hole, gearbox; Ver. C only	1
	005-6681	Housing w/o fill hole, gearbox; Ver. D & above	1
16	003-0092	Inner cover	1
17	003-4098	Oil seal 40.60.10	1
18	003-0094	Bearing 6306	1
19	001-0143	Outer cover, upper left	1
20	002-6329	Bolt HH M10-1.50x45 C8.8 Z F	1
21	001-1118	Sprocket Z14	1
22	001-0122	Snap ring, outer Ø30	1
23	001-0112	Sprocket Z16	1
24	004-2122	Snap ring, outer Ø35	2
25	001-0727	Plug; Ver. B & below	1
26	000-8601	Gasket, breather cap	-
27	000-1806	Nut HH M08-1.25 C6 Z TK	8
28	007-6106	Washer fender Ø12 Z	4
29	001-0168	Front cover, gearbox	1
30	003-4196	Shim Ø35x45x2.5	1
31	000-2295	Oil seal 35.62.10	1
32	002-5332A	Bearing 6207	2
33	001-0196	Spacer	1
34	001-0187	Pinion gear	1
35	003-0156	Nut PT M10-1.50 C6 Z TK	2
36	001-0125	Chain ASA 60HEx46	1
	001-0126B	Chain link, master ASA 60HE	-
	001-1119	Chain link, inner ASA 60HE	-
	001-1120	Chain link, false ASA 60HE	-

<sup>3</sup> A limited quantity of this gearbox housing is available after which you will need to replace both left and right housings with (q.ty 1) part #001-1421 and (q.ty 1) part #005-1896.

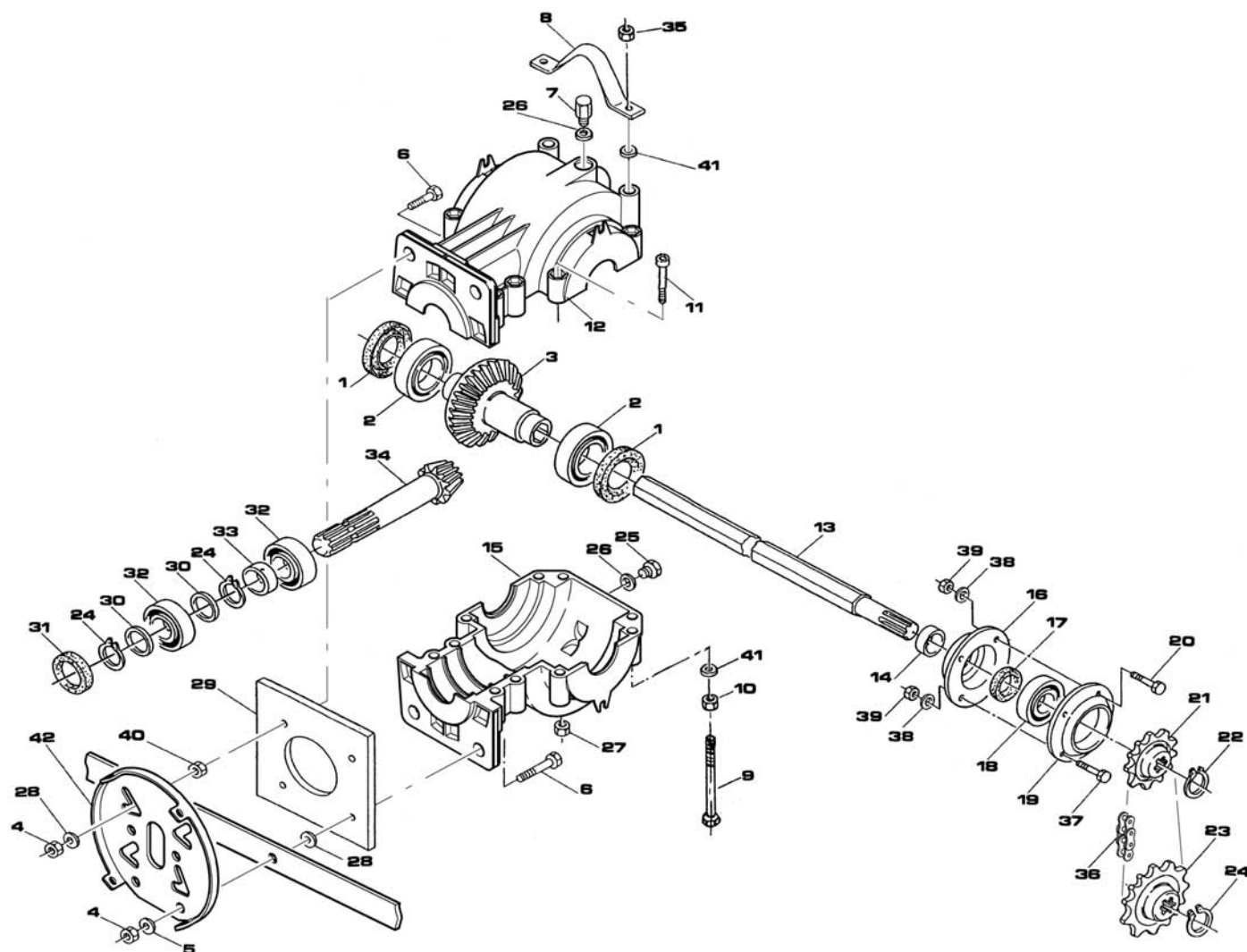
<sup>4</sup> Gearbox housing #330-0101 no longer available, both left and right housings need to be replaced with (q.ty 1) part #001-1421 and (q.ty 1) part #005-1896.



Ref.	Part #	Description	Qty.
37	003-3176	Bolt HH M10-1.50x25 C 8.8 Z F	3
38	000-1280	Washer lock Ø10 Z	4
39	000-1279	Nut HH M10-1.50 C6 Z TK	4
40	000-1177	Nut HH M14-2.00 C6 Z MD	2
41	000-2034	Washer flat Ø10 Z	4
42	001-1201	Support, guard	1
	050-0604	Gearbox 540 rpm complete; Ver. B & below <sup>5</sup>	-
	050-0660	Gearbox 540 rpm complete; Ver. C only <sup>6</sup>	-
	050-0666	Gearbox 540 rpm complete; Ver. D & above	-

<sup>5</sup> Interchangeable with complete gearbox #050-0660. Also interchangeable with complete gearbox #050-0666 provided the "lift plate" #001-0176 and the "3 point side shift" #001-1231 are also ordered.

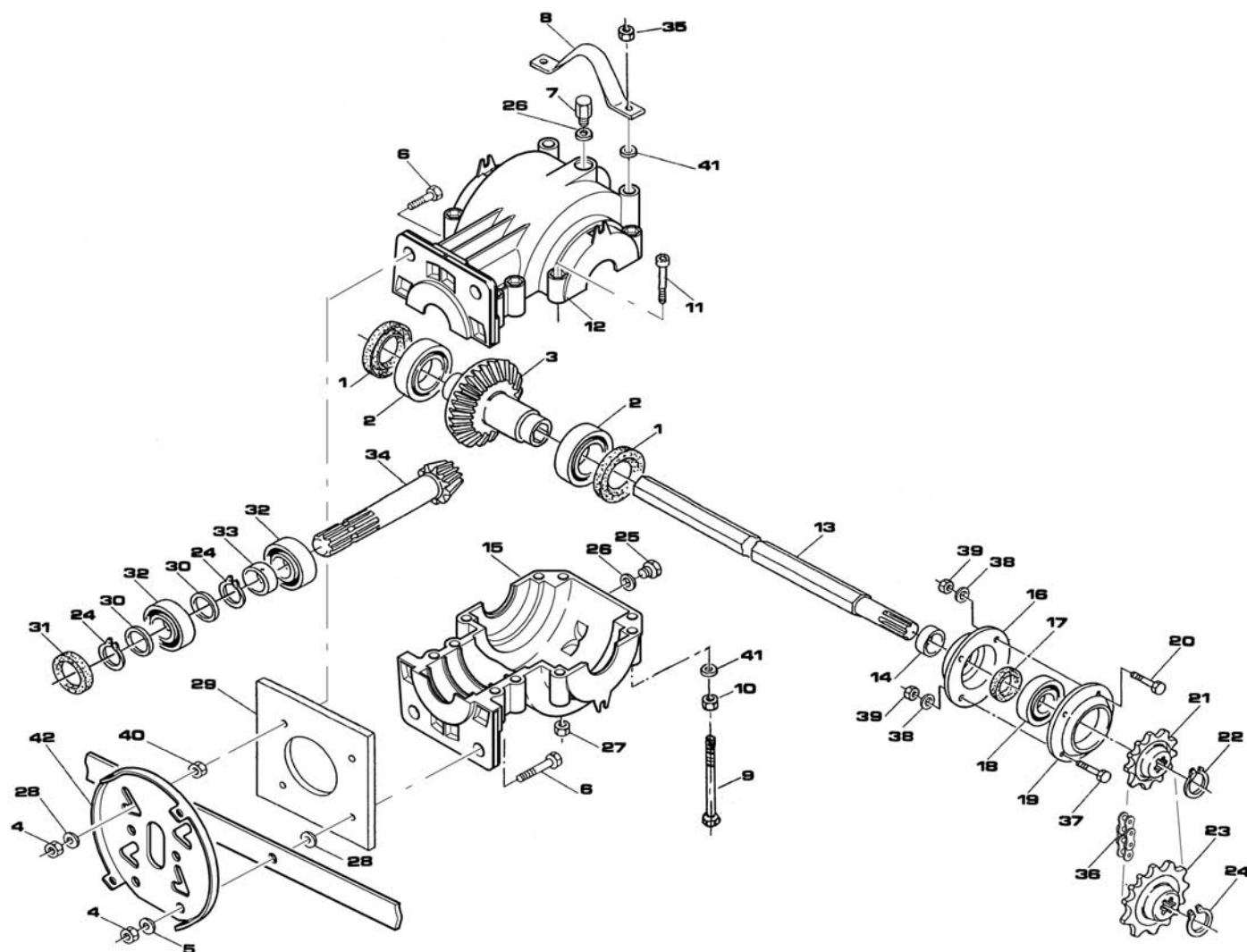
<sup>6</sup> Interchangeable with complete gearbox #050-0666 provided the "lift plate" #001-0176 and the "3 point side shift" #001-1231 are also ordered.



Ref.	Part #	Description	Qty.
1	001-0192	Oil seal 40.68.10	2
2	001-2149A	Bearing 6208	2
3	001-0425	Ring gear Z31, complete (2000 rpm only)	1
4	000-1106	Nut HH M12-1.75 C6 Z MD	4
5	000-1077	Washer lock Ø12 Z	2
6	003-0054	Bolt HH M12-1.75x50 C8.8 Z F	4
7	001-0177	Breather cap	1
8	001-0175	Lift plate; Ver. C & below	1
	001-0176	Lift plate; Ver. D & above	1
9	010-1215	Bolt HH M10-1.50 x 140 8.8 Z P	2
10	000-3038	Nut HH M12-1.75 C6 ZC TK	2
11	001-0171	Bolt SC M08-1.25 x 50 C8.8 Z P	8
12	001-0164	Housing w/center fill hole, gearbox; Ver. B & below <sup>7</sup>	1
	001-1421	Housing w/fins w/fill hole, gearbox; Ver. C only	1
	001-1423	Housing w/fill hole, gearbox; Ver. D & above	1
13	011-0158	Hexagonal shaft 34"	-
	021-0158	Hexagonal shaft 42"	-
	031-0158	Hexagonal shaft 50"	-
14	001-0148	Spacer	1
15	330-0101	Housing w/center fill hole, gearbox; Ver. B & below <sup>8</sup>	1
	005-1896	Housing w/fins w/o fill hole, gearbox; Ver. C only	1
	005-6681	Housing w/o fill hole, gearbox; Ver. D & above	1
16	003-0092	Inner cover	1
17	003-4098	Oil seal 40.60.10	1
18	003-0094	Bearing 6306	1
19	001-0143	Outer cover, upper left	1
20	002-6329	Bolt HH M10-1.50x45 C8.8 Z F	1
21	001-0118	Sprocket Z9 (2000 rpm only)	1
22	001-0122	Snap ring, outer Ø30	1
23	001-0119	Sprocket Z22 (2000 rpm only)	1
24	004-2122	Snap ring, outer Ø35	3
25	001-0727	Plug; Ver. B & below	1
26	000-8601	Gasket, breather cap	-
27	000-1806	Nut HH M08-1.25 C6 Z TK	8
28	007-6106	Washer fender Ø12 Z	4
29	001-0168	Front cover, gearbox	1
30	003-4196	Shim Ø35x45x2.5	2
31	000-2295	Oil seal 35.62.10	1
32	002-5332A	Bearing 6207	2
33	001-0435	Spacer (2000 rpm only)	1
34	001-0429	Pinion gear (2000 rpm only)	1
35	003-0156	Nut PT M10-1.50 C6 Z TK	2
36	001-1124	Chain ASA 60Ex47 (2000 rpm only)	1
	001-0126	Chain link, master ASA 60E (2000 rpm only)	-
	001-1111	Chain link, inner ASA 60E (2000 rpm only)	-
	001-1112	Chain link, false ASA 60E (2000 rpm only)	-

<sup>7</sup> A limited quantity of this gearbox housing is available after which you will need to replace both left and right housings with (q.ty 1) part #001-1421 and (q.ty 1) part #005-1896.

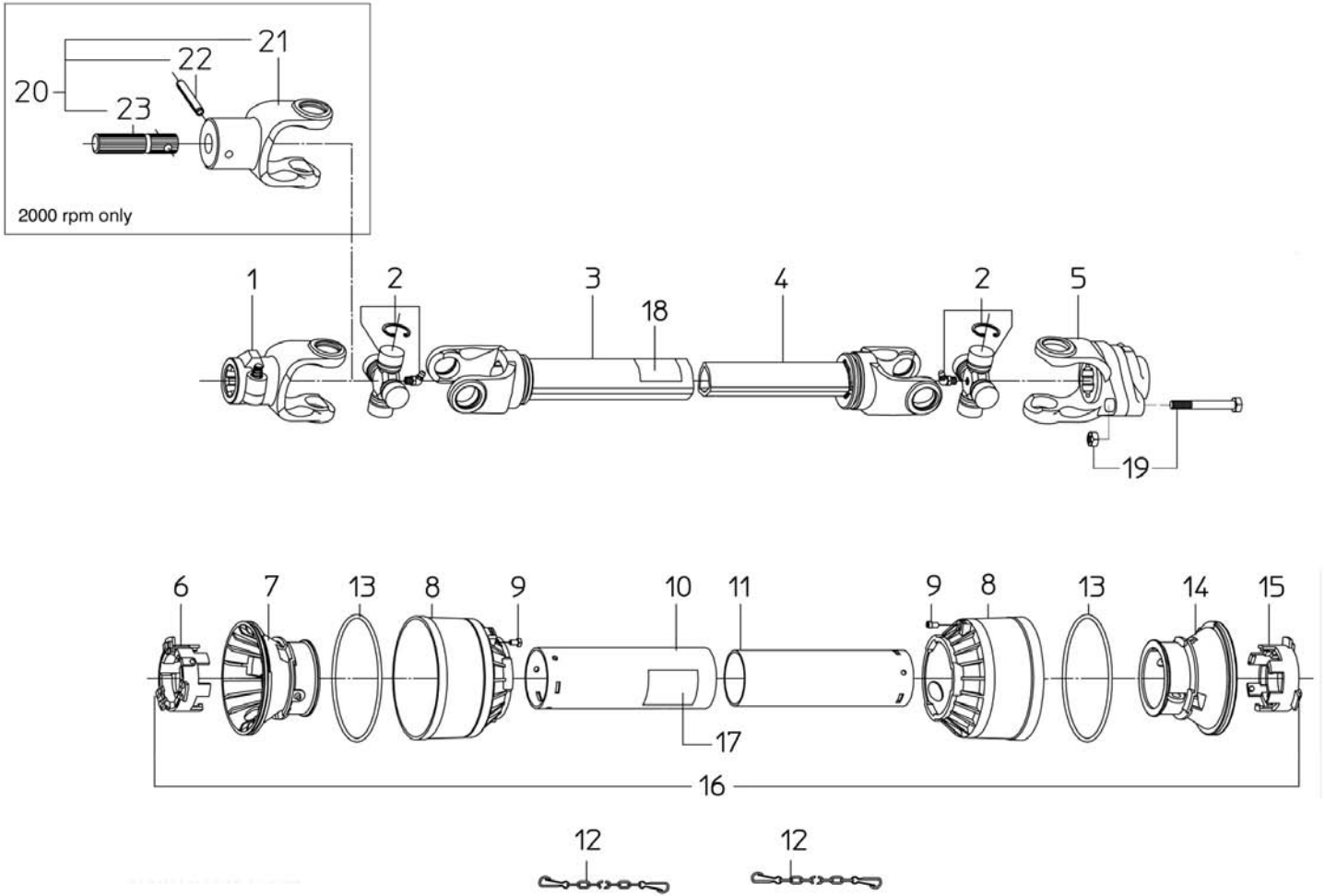
<sup>8</sup> Gearbox housing #330-0101 no longer available, both left and right housings need to be replaced with (q.ty 1) part #001-1421 and (q.ty 1) part #005-1896.



Ref.	Part #	Description	Qty.
37	003-3176	Bolt HH M10-1.50x25 C8.8 Z F	3
38	000-1280	Washer lock Ø10 Z	4
39	000-1279	Nut HH M10-1.50 C6 Z TK	4
40	000-1177	Nut HH M14-2.00 C6 Z MD	2
41	000-2034	Washer flat Ø10 Z	4
42	001-1201	Support, guard	1
	050-0603	Gearbox 2000 rpm complete; Ver. B & below <sup>9</sup>	-
	050-0661	Gearbox 2000 rpm complete; Ver. C only <sup>10</sup>	-
	050-0667	Gearbox 2000 rpm complete; Ver. D & above	-

<sup>9</sup> Interchangeable with complete gearbox #050-0661. Also interchangeable with complete gearbox #050-0667 provided the "lift plate" #001-0176 and the "3 point side shift" #001-1231 are also ordered.

<sup>10</sup> Interchangeable with complete gearbox #050-0667 provided the "lift plate" #001-0176 and the "3 point side shift" #001-1231 are also ordered.

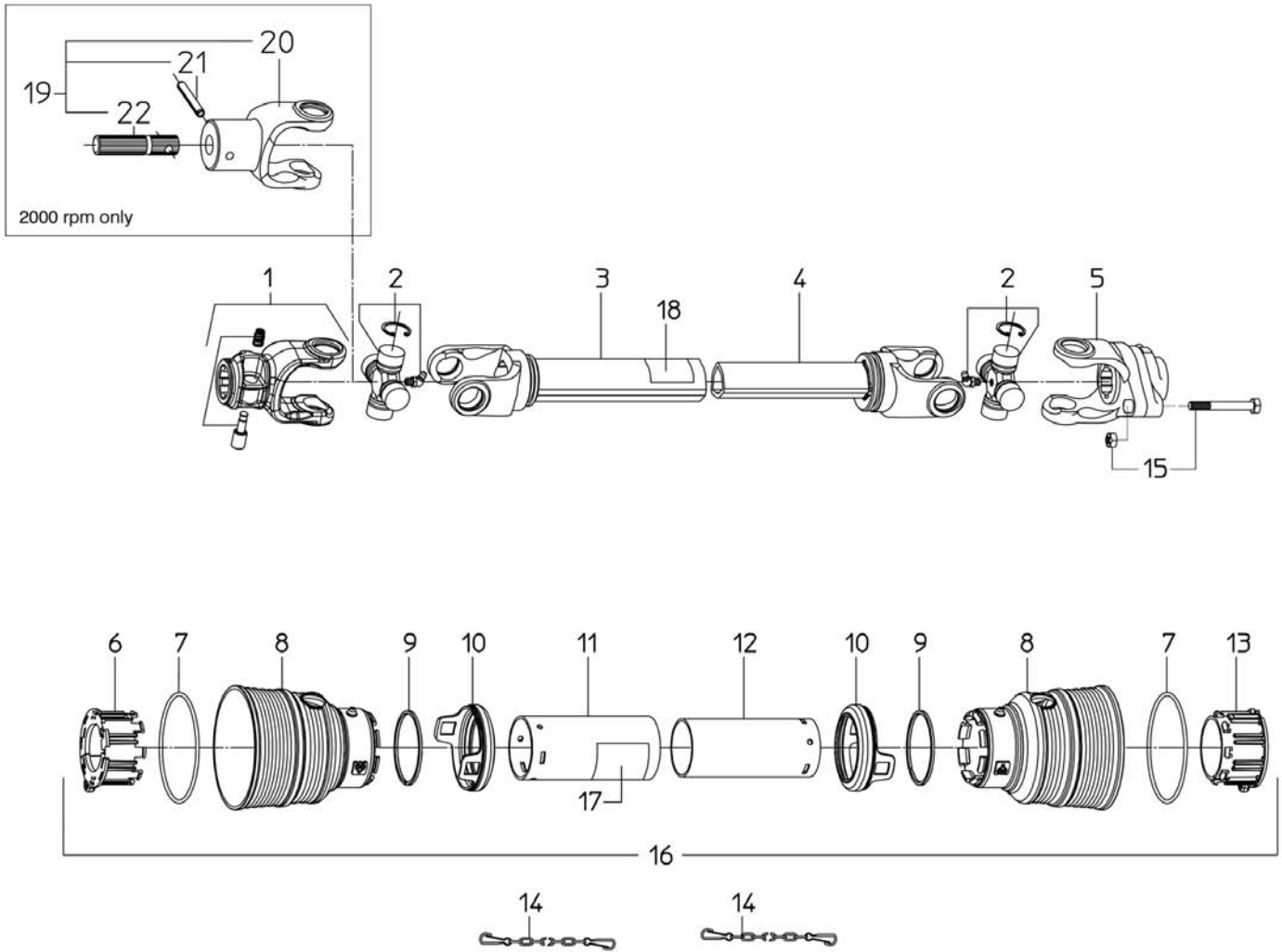




T30-134, 534, 142, 542, 150, 550 - SERIAL #292440 &amp; BELOW

Ref.	Part #	Description	Qty.
1	1022010C	Yoke w/push pin (tractor end)	1
2	1002020C	Cross w/bearing	2
3	1942035NC	Outer tube w/yoke	1
4	1952037NC	Inner tube w/yoke	1
5	1482037C	Yoke w/shear bolt (implement end)	1
6	1782210C	Locking ring, outer tube; #292440 & below	1
7	1784201C	Rigid cone, outer tube; #292440 & below	1
8	1784203C	Standard cone	2
9	1784212C	Pin PTO shield	2
10	1773033C	Shield, outer tube	1
11	1872033C	Shield, inner tube	1
12	1006065C	Chain, anti-rotation	2
13	1213233C	Stiffening ring; #292440 & below	2
14	1784202C	Rigid cone, inner tube; #292440 & below	1
15	1782211C	Locking ring, inner tube; #292440 & below	1
16	90SS2033C	Shield, complete <sup>11</sup>	1
17	950-463B	Decal "Danger rotating PTO", outer shield	1
18	950-464B	Decal "Danger guard missing on driveline", outer tube	1
19	6690640C	Shear bolt M06-1.00x40 C8.8 N P & nut PT M06-1.00	1
20	1702215C	Yoke w/shaft 1" Z15 (2000 rpm only) - T30-5XX	1
21	1702415C	Yoke 1" Z15 (2000 rpm only) - T30-5XX	1
22	002-6342	Roll pin Ø8x50 (2000 rpm only) - T30-5XX	1
23	1002015C	Shaft 1" Z15 (2000 rpm only) - T30-5XX	1
	050-0406	Driveline w/shear bolt complete (540 rpm) - T30-1XX	-
	050-0463	Driveline w/shear bolt complete (2000 rpm only) - T30-5XX	-

<sup>11</sup> Complete shielding is interchangeable with part #96SS2033C. Single shield components are not interchangeable.



T30-134, 534, 142, 542, 150, 550 - FROM SERIAL #292441 TO #373133

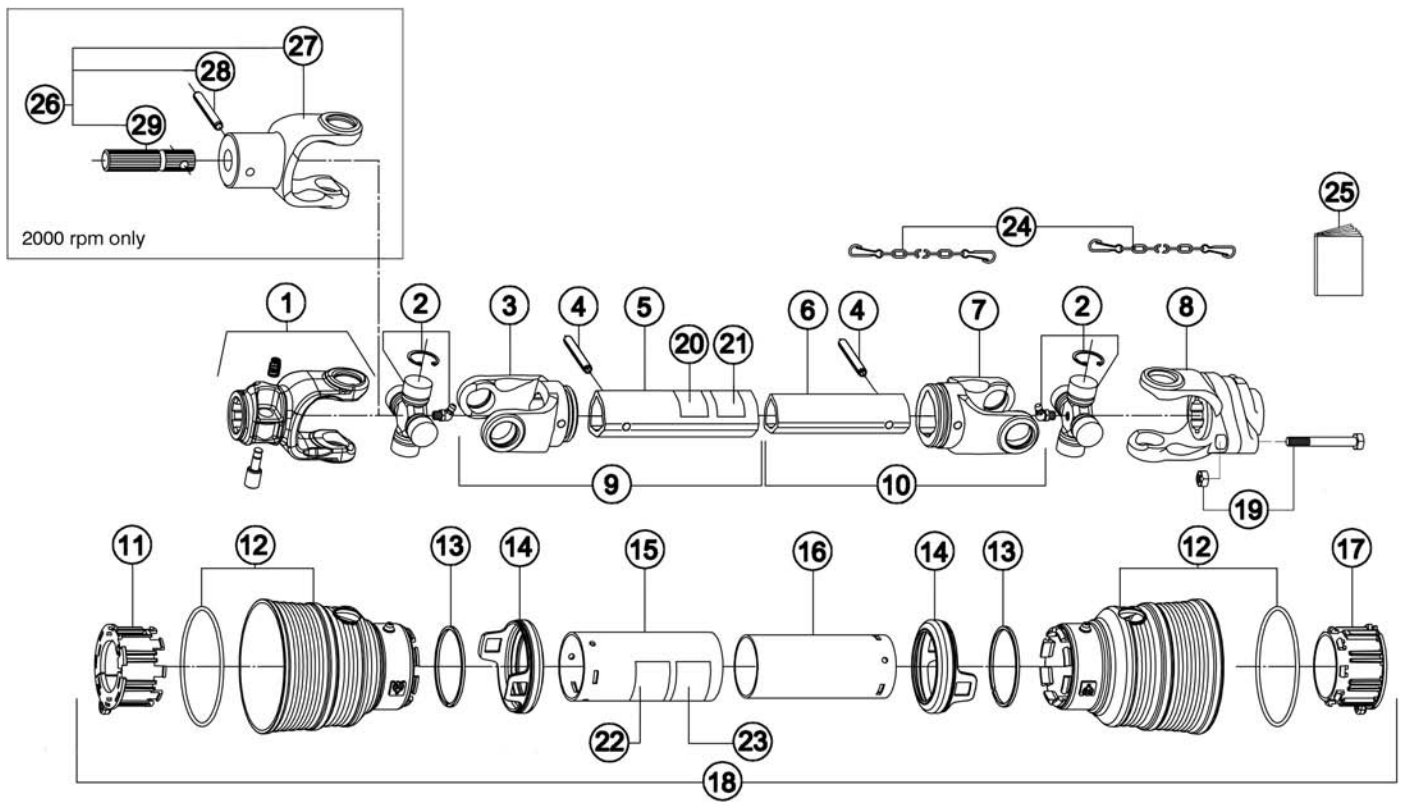
Ref.	Part #	Description	Qty.
1	1022010C	Yoke w/push pin (tractor end)	1
2	1002020C	Cross w/bearing	2
3	1942035NC	Outer tube w/yoke <sup>12</sup>	1
4	1952037NC	Inner tube w/yoke <sup>13</sup>	1
5	1482037C	Yoke w/shear bolt (implement end)	1
6	1782710C	Locking ring, outer tube; #292441 & above	1
7	1211733C	Stiffening ring; #292441 & above	2
8	1781703C	Standard cone (yellow) ; #292441 & above	2
9	1211735C	Safety ring; #292441 & above	2
10	1881709C	Safety sleeve; #292441 & above	2
11	1773033C	Shield, outer tube (yellow)	1
12	1872033C	Shield, inner tube	1
13	1782711C	Locking ring, inner tube; #292441 & above	1
14	1006065C	Chain, anti-rotation	2
15	6690640C	Shear bolt M06-1.00x40 C8.8 N P & nut PT M06-1.00	1
16	96SS2033C	Shield, complete (yellow) <sup>14</sup>	1
17	950-463B	Decal "Danger rotating PTO", outer shield	1
18	950-464B	Decal "Danger guard missing on driveline", outer tube	1
19	1702215C	Yoke w/shaft 1" Z15 (2000 rpm only) - T30-5XX	1
20	1702415C	Yoke 1" Z15 (2000 rpm only) - T30-5XX	1
21	002-6342	Roll pin Ø8x50 (2000 rpm only) - T30-5XX	1
22	1002015C	Shaft 1" Z15 (2000 rpm only) - T30-5XX	1
	050-0406	Driveline w/shear bolt complete (540 rpm); T30-1XX from #292441 to #373133 <sup>15</sup>	-
	050-0463	Driveline w/shear bolt complete (2000 rpm only); T30-5XX	-

<sup>12</sup> Can be replaced by outer tube w/yoke 1902041NC.

<sup>13</sup> Can be replaced by inner tube w/yoke 1912041NC.

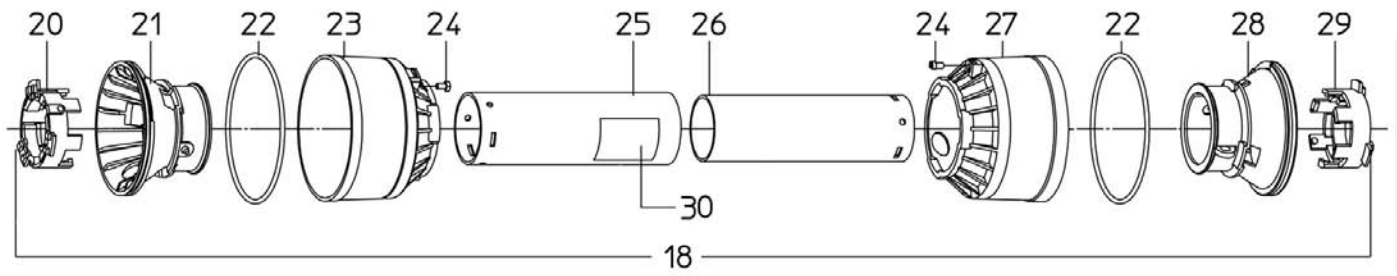
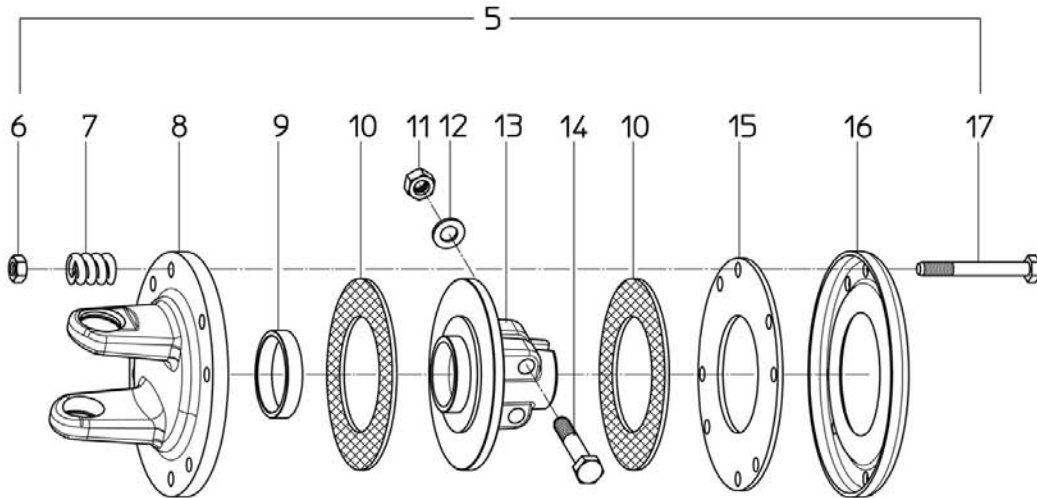
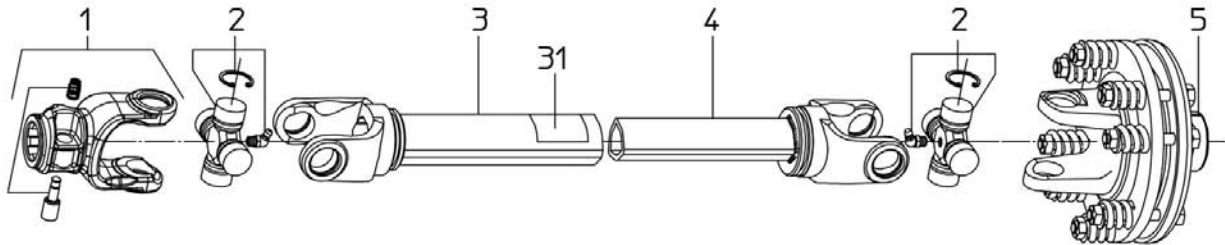
<sup>14</sup> Can be replaced by complete shield 97SS2033C.

<sup>15</sup> Complete driveline 050-0406 is interchangeable with driveline 050-0051.



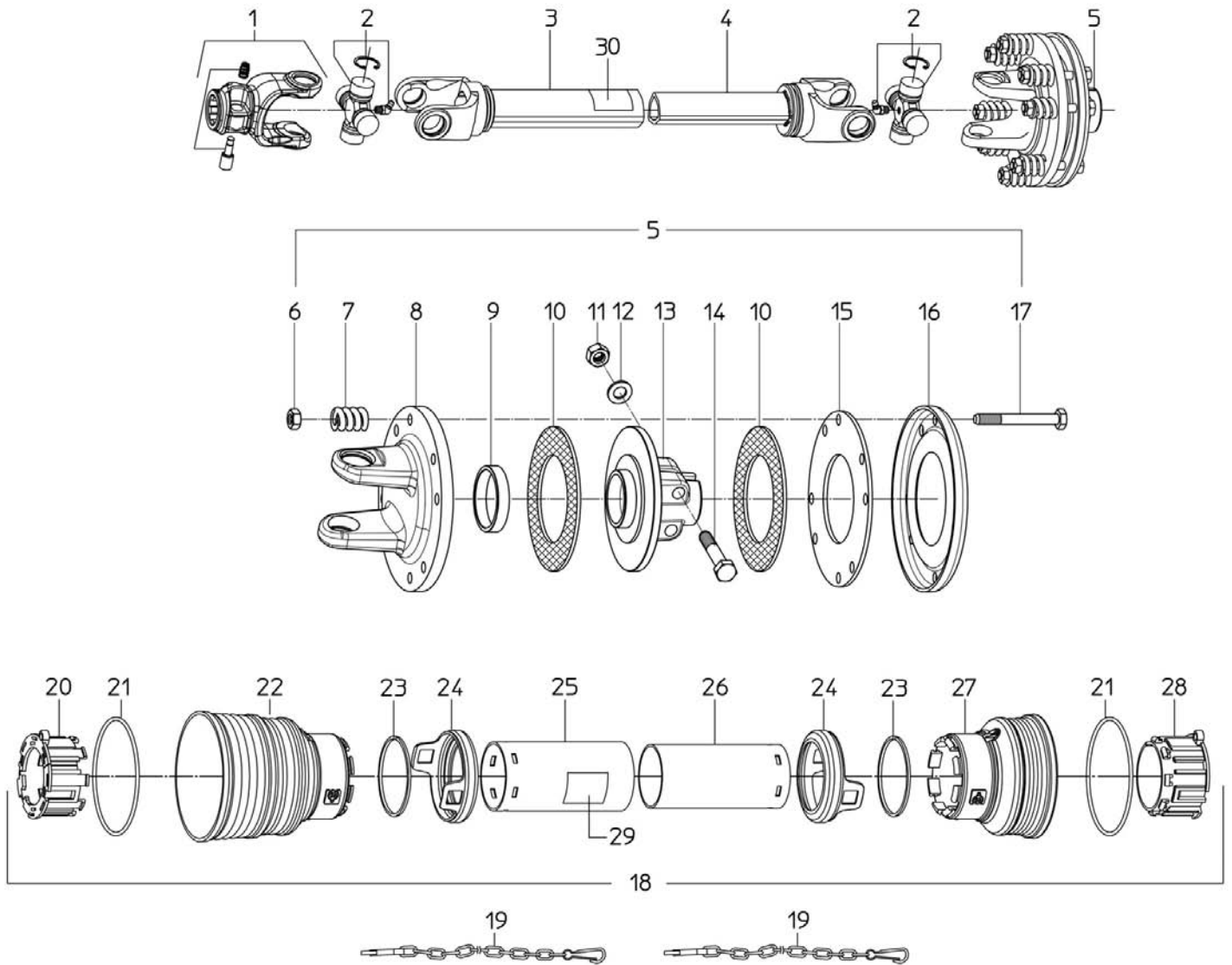
T30-134, 534, 142, 542, 150, 550 - SERIAL #373134 &amp; ABOVE

Ref.	Part #	Description	Qty.
1	1022010C	Yoke w/push pin (tractor end)	1
2	1002020C	Cross w/bearing	2
3	1702027C	Yoke, outer tube; #373134 & above	1
4	000-8679	Roll pin Ø8x55; #373134 & above	2
5	1523041C	Outer tube; #373134 & above	1
6	1522041C	Inner tube; #373134 & above	1
7	1702029C	Yoke, inner tube; #373134 & above	1
8	1482037C	Yoke w/shear bolt (implement end)	1
9	1902041NC	Outer tube w/yoke	1
10	1912041NC	Inner tube w/yoke	1
11	1782710C	Locking ring, outer tube	1
12	1881703C	Standard cone (black)	2
13	1211735C	Safety ring	2
14	1881709C	Safety sleeve	2
15	1873033C	Shield, outer tube (black)	1
16	1872033C	Shield, inner tube	1
17	1782711C	Locking ring, inner tube	1
18	97SS2033C	Shield, complete (black)	1
19	6690640C	Shear bolt M06-1.00x40 C8.8 N P & nut PT M06-1.00	1
20	950-464B	Decal "DANGER - Guard missing, do not operate" outer tube	1
21	1140011C	Decal "guard missing" pictorial - ISO standard, outer tube	1
22	950-463B	Decal "DANGER - Rotating driveline, keep away" outer shield	1
23	1140010C	Decal "rotating driveline" pictorial - ISO standard, outer shield	1
24	1006065C	Anti-rotation chain	2
25	1140910AC	Operator's manual, driveline	1
26	1702215C	Yoke w/shaft 1" Z15 (2000 rpm only) - T30-5XX	1
27	1702415C	Yoke 1" Z15 (2000 rpm only) - T30-5XX	1
28	002-6342	Roll pin Ø8x50 (2000 rpm only) - T30-5XX	1
29	1002015C	Shaft 1" Z15 (2000 rpm only) - T30-5XX	1
	050-0051	Driveline w/shear bolt complete (540 rpm); T30-1XX #373134 & above	-



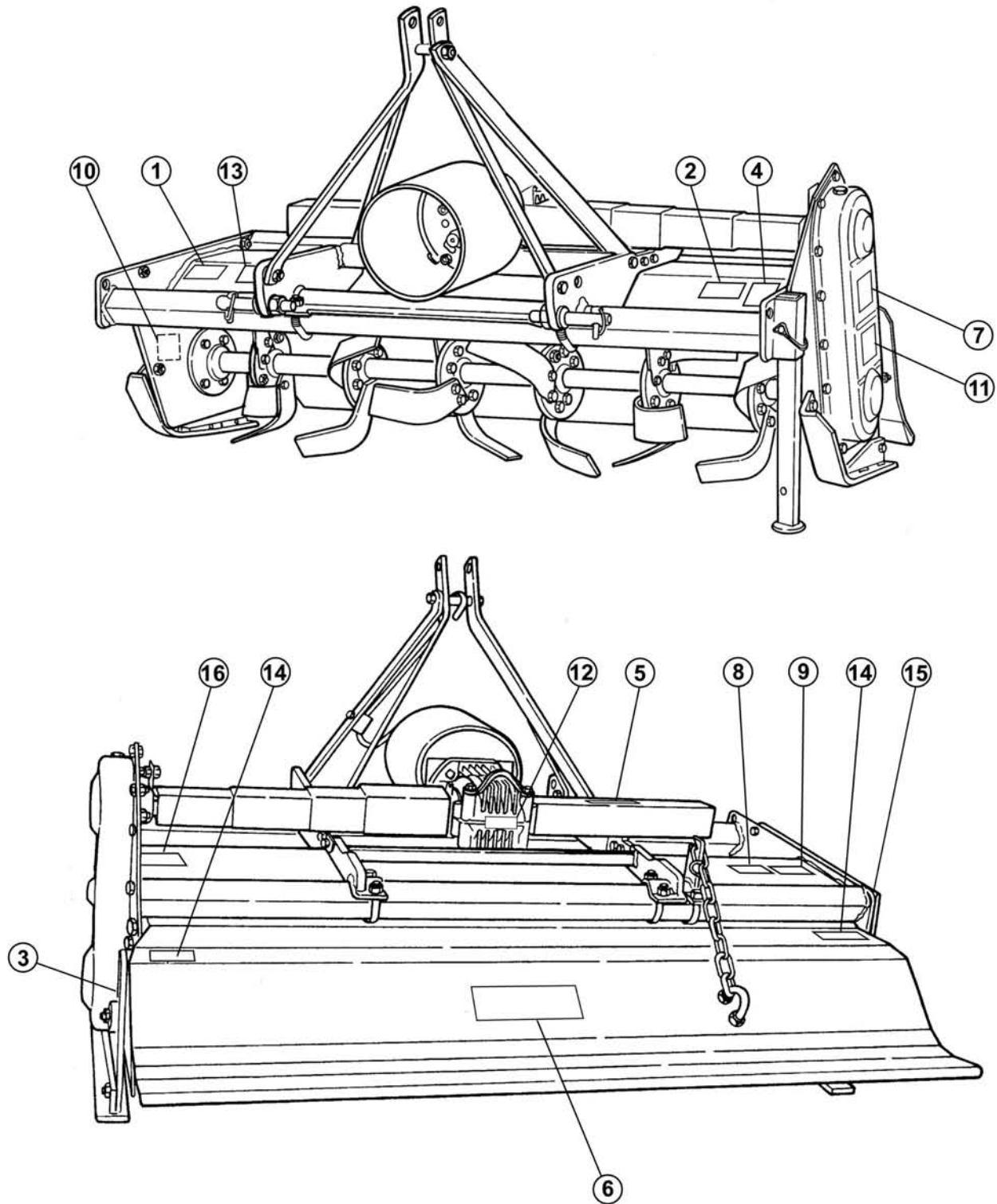
Ref.	Part #	Description	Qty.
1	1023010C	Yoke w/push pin (tractor end)	1
2	1003020C	Cross w/bearing	2
3	1943043NC	Outer tube w/yoke	1
4	1953045NC	Inner tube w/yoke	1
5	1333030C	Slip clutch, complete (implement end)	1
6	003-0156	Nut PT M10-1.50 C6 Z TK	8
7	1215012C	Spring, slip clutch	8
8	1703130C	Yoke, slip clutch	1
9	1704017C	Bushing, slip clutch	1
10	1804000C	Friction disc	2
11	000-1075	Nut HH M12-1.25 C6 Z TK	1
12	000-1077	Washer, lock Ø12 Z	1
13	1704016C	Hub w/flange, slip clutch	1
14	003-4270	Bolt HH M12-1.25x65 C8.8 Z P	1
15	1134008C	Inner disc	1
16	1134007C	Outer flange	1
17	001-5232	Bolt HH M10-1.50x75 C8.8 Z P	8
18	90SE4041C	Shield, complete <sup>16</sup>	1
19	1006065C	Chain, anti-rotation	2
20	1784210C	Locking ring, outer tube; #280017 & below	1
21	1784201C	Rigid cone, outer tube; #280017 & below	1
22	1213233C	Stiffening ring; #280017 & below	2
23	1784203C	Standard cone; #280017 & below	1
24	1784212C	Pin; #280017 & below	2
25	1773041C	Shield, outer tube	1
26	1872041C	Shield, inner tube	1
27	1784207C	Extra short cone; #280017 & below	1
28	1784202C	Rigid cone, inner tube; #280017 & below	1
29	1784211C	Locking ring, inner tube; #280017 & below	1
30	950-463B	Decal "Danger rotating PTO", outer shield	1
31	950-464B	Decal "Danger guard missing on driveline", outer tube	1
	050-0408	Driveline w/slip clutch, complete; T30-2XX	-

<sup>16</sup> Complete shielding is interchangeable with part #96SE4041C. Single shield components are not interchangeable.





Ref.	Part #	Description	Qty.
1	1023010C	Yoke w/push pin (tractor end)	1
2	1003020C	Cross w/bearing	2
3	1943043NC	Outer tube w/yoke	1
4	1953045NC	Inner tube w/yoke	1
5	1333030C	Slip clutch, complete (implement end)	1
6	003-0156	Nut PT M10-1.50 C6 Z TK	8
7	1215012C	Spring, slip clutch	8
8	1703130C	Yoke, slip clutch	1
9	1704017C	Bushing, slip clutch	1
10	1804000C	Friction disc	2
11	000-1075	Nut HH M12-1.25 C6 Z TK	1
12	000-1077	Washer, lock Ø12 Z	1
13	1704016C	Hub w/flange, slip clutch	1
14	003-4270	Bolt HH M12-1.25x65 C8.8 Z P	1
15	1134008C	Inner disc	1
16	1134007C	Outer flange	1
17	001-5232	Bolt HH M10-1.50x75 C8.8 Z P	8
18	96SE4041C	Shield, complete	1
19	1006065C	Chain, anti-rotation	2
20	1784710C	Locking ring, outer tube; #280018 & above	1
21	1211733C	Stiffening ring; #280018 & above	2
22	1781703C	Standard cone; #280018 & above	1
23	1211735C	Stop ring; #280018 & above	2
24	1881709C	Safety sleeve; #280018 & above	2
25	1773041C	Shield, outer tube	1
26	1872041C	Shield, inner tube	1
27	1781701C	Extra short cone; #280018 & above	1
28	1784711C	Locking ring, inner tube; #280018 & above	1
29	950-463B	Decal "Danger rotating PTO", outer shield	1
30	950-464B	Decal "Danger guard missing on driveline", outer tube	1
	050-0408	Driveline w/slip clutch, complete;T30-2XX	-



Ref.	Part #	Description	Qty.
1	950-109B	Decal "DANGER - Avoid injury from PTO"	1
2	950-209B	Decal "DANGER - Rotating blades hazard"	1
3	950-486B	Decal "DANGER - Moving parts hazard"	1
4	950-417B	Decal "CAUTION - Read operator's manual"	1
5	937-0160	Decal "Side-shift"	1
6	950-107B	Decal "BEFCO"	1
7	950-226B	Decal "B" logo	1
8	950-230B	Decal "T30"	1
9	950-297B	Decal "134"	1
	950-236B	Decal "142"	1
	950-237B	Decal "150"	1
	950-161B	Decal "234"	1
	950-239B	Decal "242"	1
	950-240B	Decal "250"	1
	950-330B	Decal "534"	1
	950-295B	Decal "542"	1
	950-296B	Decal "550"	1
10	937-0223	Decal "Solid steel shaft"	1
11	937-0224	Decal "Forward or reverse tilling"	1
12	937-0226	Decal "Oil level"	1
13	950-940B	Decal "Quick hitch compatible"	1
14	950-366B	Decal "Red reflective"	2
15	937-0194	Decal, "grease"	1
16	-	Decal, serial number	1
	971-100B	Operator's Manual "T30-134, 142, 150, 234, 242, 250, 534, 542, 550"	1
	972-100B	Parts Manual "T30-134, 142, 150, 234, 242, 250, 534, 542, 550"	1

## Use only original spare parts

*All rights reserved. It is unlawful to copy, reprint or use any of the information or details in this manual without the expressed written permission of the Company. Technical information provided in this manual is approximate, the Company reserves the right to modify or improve the models shown for technical or commercial purposes. Pictures in this manual do not necessarily show the machine as delivered.*

---

**BEFCO**<sup>®</sup>

P.O. Box 6036  
Rocky Mount, NC 27802-6036  
Tel.: 252.977.9920 - Fax: 252.977.9718  
[www.befco.com](http://www.befco.com)

