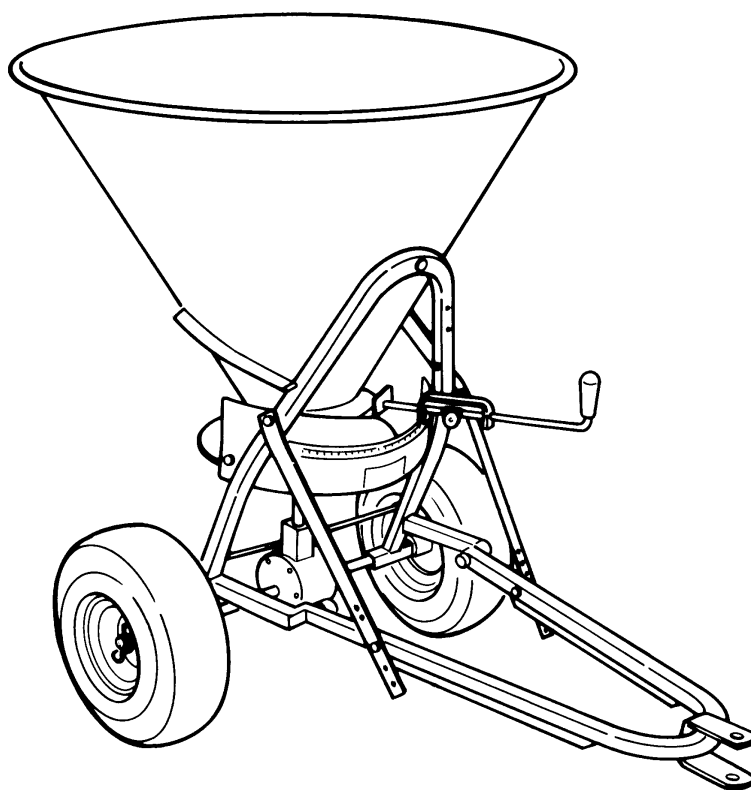


ROTOMECH

Operator's Manual

BABY-HOP

Pull Type Fertiliser Spreader
Series 50, 100 & 160



The operator's manual is a technical service guide and must always accompany the machine.

SAFETY

Take note! This safety alert symbol found throughout this manual is used to call your attention to instructions involving your personal safety and the safety of others. Failure to follow these instructions can result in injury or death.



This symbol means:
ATTENTION!
BECOME ALERT!
YOUR SAFETY IS INVOLVED!

Signal Words

Note the use of the signal words DANGER, WARNING and CAUTION with the safety messages. The appropriate signal words for each has been selected using the following guidelines:



DANGER: indicates an imminently hazardous situation that, if not avoided, will result in death or serious injury.



WARNING: indicates a potentially hazardous situation that, if not avoided, could result in death or serious injury, and includes hazards that are exposed when guards are removed. It may also be used to alert against unsafe practices.

SAFETY



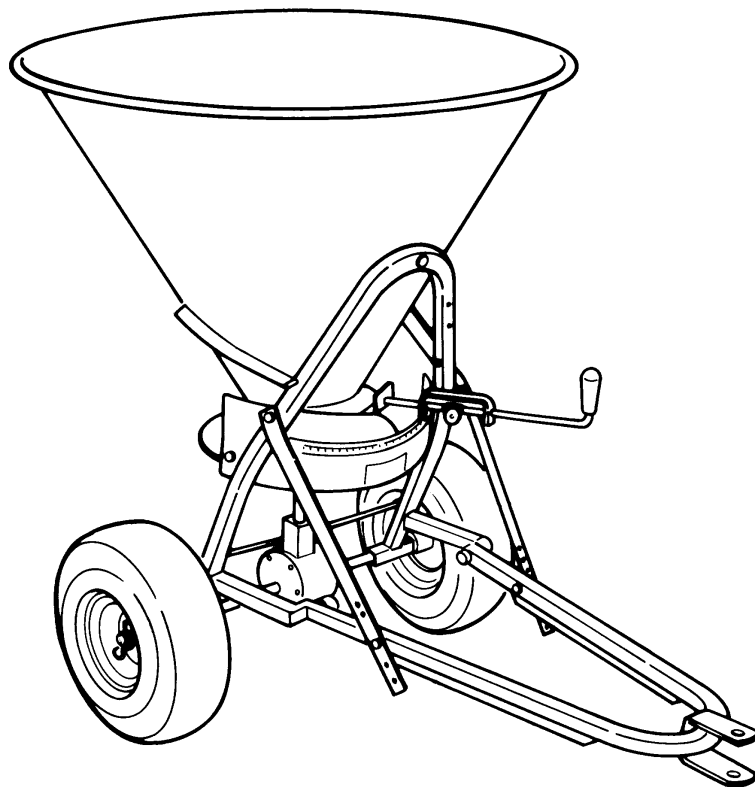
CAUTION: indicates a potentially hazardous situation that, if not avoided, may result in minor or moderate injury.

ROTOMECH

Operator's Manual

BABY-HOP

**Pull Type Fertiliser Spreader
Series 50, 100 & 160**



The operator's manual is a technical service guide and must always accompany the machine.

INDEX

1 - GENERAL INFORMATION	5
1.01 - General	5
1.02 - Model and Serial Number ID	5
1.03 - Assembly Instructions	6
2 - SAFETY PRECAUTIONS	8
2.01 - Preparation	8
2.02 - Starting and Stopping	9
2.03 - Messages and Signs	9
3 - OPERATION	11
3.01 - Operational Safety	11
3.02 - Set-up	12
3.03 - Pre-Operational Check	13
3.04 - Attaching to the Tractor	13
3.05 - Start-up	13
3.06 - Operating Techniques	14
3.07 - Uneven Terrain	15
4 - MAINTENANCE	18
4.01 - Maintenance Safety	18
4.02 - Service	19
4.03 - Transport	19
5 - REPAIR PROCEDURES	21
5.01 - Suggested Spare Parts	21
6 - TROUBLESHOOTING	22
7 - PRE-DELIVERY CHECKLIST	23
8 - WARRANTY	24
9 - PARTS MANUAL	26

1 - GENERAL INFORMATION

Thank you and congratulations for having chosen our implement.
Your new fertiliser spreader is a technologically advanced machine constructed of high quality sturdy components that will fulfil your working expectations.
Read this manual carefully. It will instruct you on how to operate and service your fertiliser spreader safely and correctly. Failure to do so could result in personal injury and or equipment damage.

1.01 - General





CAUTION: all hardware is metric. Only metric tools should be used. Other tools that do not fit properly can slip and cause injury.



CAUTION: right hand and left hand sides of the implement are determined by facing in the direction the implement will travel when going forward (see fig. 3).

1.02 - Model and Serial Number ID

Attached to the frame is an ID plate showing the model and serial number. Record your implement model and serial number in the space provided below. Your dealer needs this information to give you prompt, efficient service when you order parts.

 ROTOMECC S.p.A. 37054 NOGARA (VERONA) ITALY PH.: 39.(0).442.510400 r.a.		
MOD.		N.
KW.	KG.	YEAR

Carefully read the warranty section¹, detailing coverage and limitations of this warranty. **Warranty** is provided for customers who operate and maintain their equipment as described in this manual. Warranty registration is accomplished by the dealer completing and forwarding, within 14 days from the date of purchase, the **Warranty**

¹ See chapter 8 - Warranty.

Registration Form to the Company, along with a copy of the dealer's invoice. It is in your best interest to insure that this has been done.

Warranty does not cover the following:

1. cleaning, transporting, mailing and service call charges.
2. Normal wear items.
3. Depreciation or damage caused by normal wear, accidents, improper maintenance, improper protection or improper use.
4. The use of non original spare parts and accessories.

Your Authorised Company Dealer has genuine parts in stock. Only these approved replacement parts should be used. This limited warranty covers defective material and workmanship. The cost of normal maintenance or repairs for accidents or improper use, and related labour will be borne by the owner.

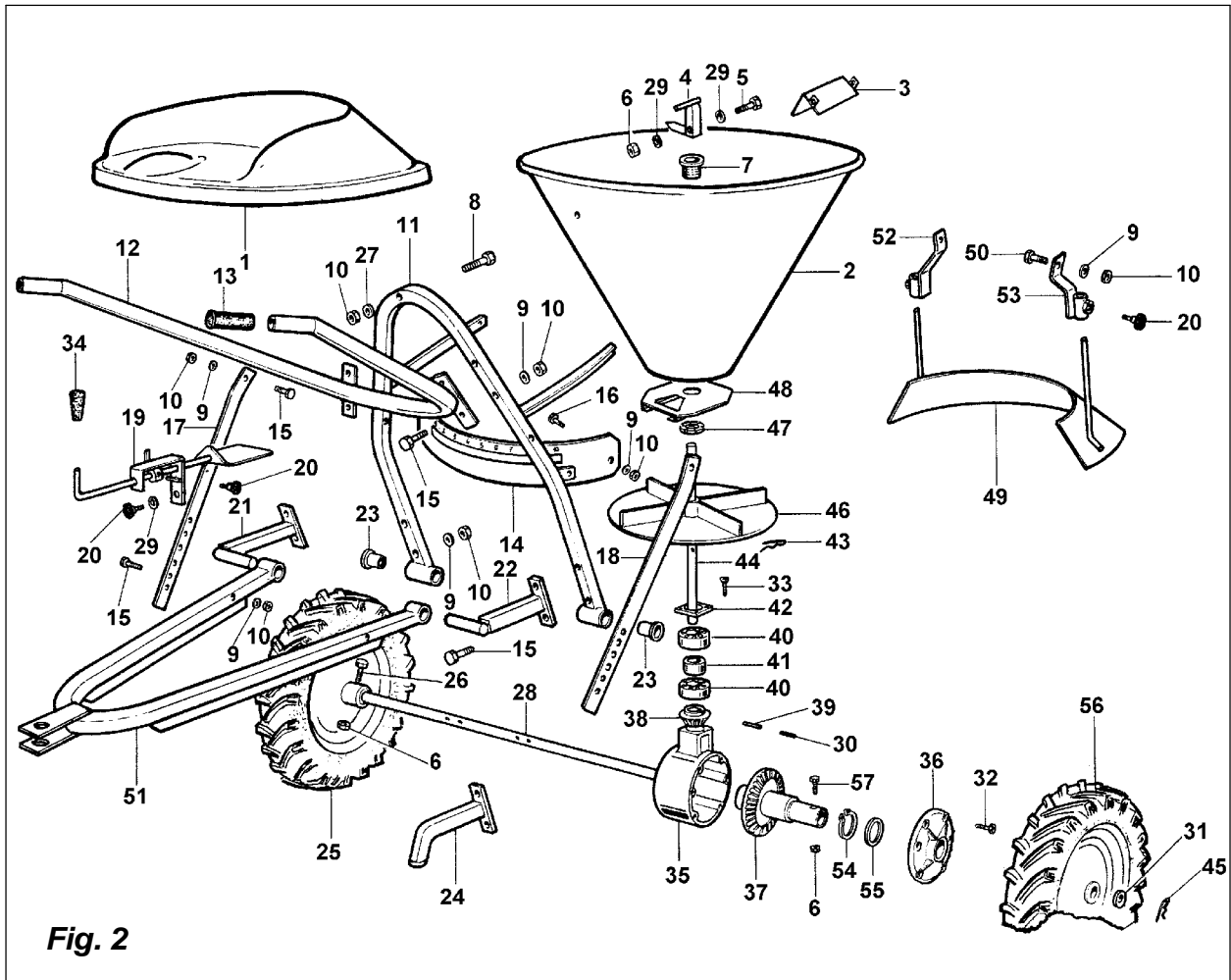
1.03 - Assembly Instructions

All hardware needed for assembly will be found in the box or on the machine.

NOTE: assembly will be easier if all parts are loosely assembled before tightening the hardware.

1. Locate the hopper (**see #2, fig. 2**), the mobile shutter (**#48**), the threaded bushing (**#7**) and the nut (**#47**). Slide the threaded bushing (**#7**) through the bottom hole of the hopper (**#2**) and fasten the mobile shutter (**#48**) to it with the nut (**#47**).
2. Fasten the guard (**#14**) onto the frame (**#11**) using the M8x16 bolts (**#16**), M8 washers (**#9**) and M8 hex nuts (**#10**).
3. Slide the spinner disc (**#46**) and the hopper assembly over the outgoing shaft (**#44**) and use the M8x40 carriage bolt (**#8**), M8 washer (**#9**) and M8 hex nut (**#10**) to fasten the hopper to the frame (**#11**). Pin the spinner disc to the shaft with the cotter pin (**#43**).
4. Attach the stirrer (**#4**) to the outgoing shaft (**#44**) with the M6x30 bolt (**#5**) and M6 nylon insert nut (**#6**).
5. Place the distributor (**#3**) inside the hopper (**#2**) and fasten with the two M8x20 carriage bolts (**#50**), M8 washers (**#9**) and M8 hex nuts (**#10**) that connect the sides of the frame (**#11**) to the hopper.
6. Slide the flow control assembly (**#19**) into the slot of the mobile shutter (**#48**) and fasten to the guard (**#14**) with the adjustment knob (**#20**) and M8 washer (**#14**).
7. The wheel hubs are offset and are mounted on the shaft (**#28**) with the long end (that with the hole) to the inside. Slide one of the wheels over the left side, followed by the washer (**#31**) and secure it in place with the "R" clip pin (**#45**). Slide on the right wheel, then hold it in place with the bolt (**#26**) sliding through the hole in the hub and the hole in the shaft. Secure it in place with the nut (**#6**).
8. The tongue (**#51**) is attached to the frame with two plates, one right (**#17**) and one left (**#18**). Attach the upper end of the plate to the hole in the square tubing

of the frame (#11) which attaches to the hopper (#2) using the 8x40 mm. bolts (#15). The outer end (the one with the series of holes) bolts to the tongue. Select the hole which best fits the pulling units drawbar that enables the spreader to run parallel to the ground. To attach plates (#21 & #22), slide the round stock ends of these two plates through the tubes which are welded to the ends of the tongue. Bolt the outer end to the frame (the two plates should be angled upwards with the stock ends pointed inwards after they are bolted).



2 - SAFETY PRECAUTIONS

Safety is the primary concern in the design and manufacture of our products. Unfortunately our efforts to provide safe equipment can be wiped out by a single careless act of an operator.

In addition to the design and configuration of equipment, hazard control and accident prevention are dependent upon the awareness, concern, prudence and proper training of personnel involved in the operation, transport, maintenance and storage of equipment.

It is the operator's responsibility to read and understand all safety and operating instructions in the manual and to follow these.

Allow only properly trained personnel to operate the fertiliser spreader. Working with unfamiliar equipment can lead to careless injuries. Read this manual, and the manual for your tractor, before assembling or operating, to acquaint yourself with the machines. It is the spreader owner's responsibility, if this machine is used by any person other than yourself, is loaned or rented, to make certain that the operator, prior to operating, reads and understands the operator's manuals and is instructed in safe and proper use.

2.01 - Preparation



1. Before operating equipment read and understand the operator's manual and the safety signs (**see fig. 3**).
2. Thoroughly inspect the implement before initial operation to assure that all packaging materials, i.e. wires, bands, and tape have been removed.
3. Personal protection equipment including hard hat, safety glasses, safety shoes, and gloves are recommended during assembly, installation, operation, adjustment, maintaining and/or repairing the implement.
4. Operate the fertiliser spreader only with a tractor equipped with an approved Roll-Over-Protective-System (ROPS). Always wear your seat belt. Serious injury or even death could result from falling off the tractor.
5. Clear area of stones, branches or other debris that might be thrown, causing injury or damage.
6. Operate only in daylight or good artificial light.
7. Ensure fertiliser spreader is properly mounted, adjusted and in good operating condition.
8. Ensure that all safety shielding and safety signs are properly installed and in good condition.

2.02 - Starting and Stopping



1. Be sure that no one is near the tractor prior to start-up or while it is working.
2. Be sure the tractor is in "Neutral" before starting engine.
3. Know how to stop the tractor quickly in case of an emergency.
4. After striking an obstacle, shut the tractor down and thoroughly inspect for damage before restarting.

2.03 - Messages and Signs

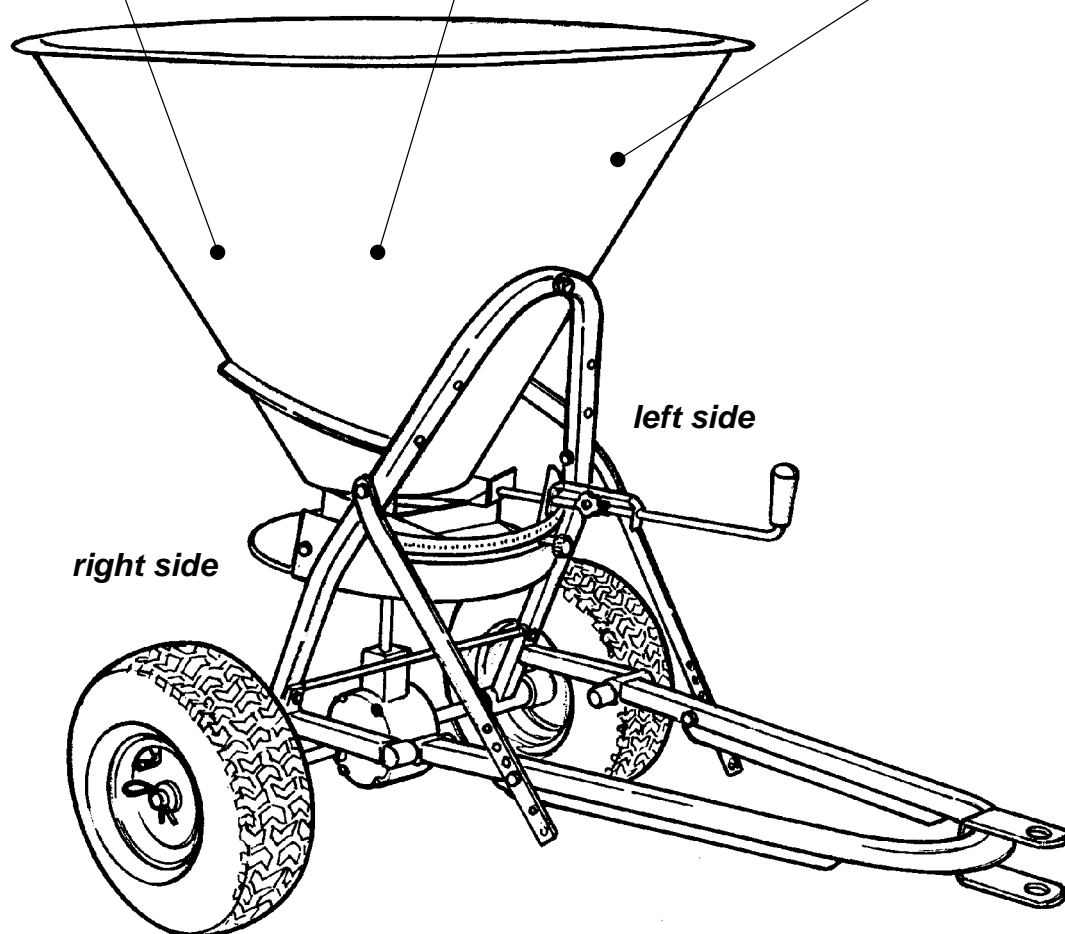
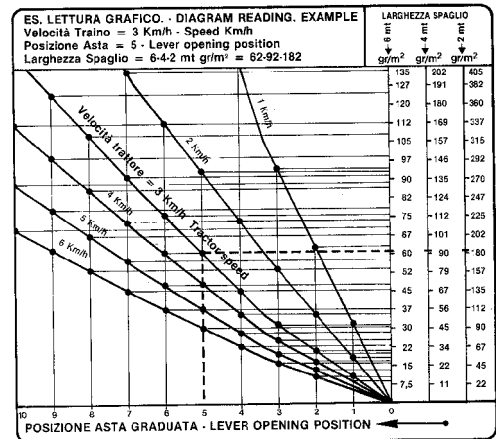
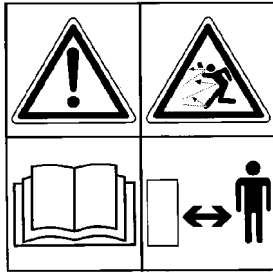


1. Read and adhere to all safety and operating decals on this machine (**see fig. 3**).
2. Before dismounting tractor: stop engine, set brake and remove the key of unattended equipment.
3. Keep guards and shields in place and in good condition.
4. Do not use with bystanders in area.
5. Allow no riders on tractor or fertiliser spreader.
6. Allow moving parts to stop before repair.
7. Securely support fertiliser spreader before working underneath.

Additional warning and operating decals are available at no extra charge. Please specify model and serial number when ordering.

Fig. 3 - Safety decals; replace immediately if damaged.

- 1. Read the manual carefully.**
- 2. Keep away, objects can be thrown.**
- 3. keep away, do not oil nor clean gears while moving.**



3 - OPERATION

The Baby-Hop ground driven fertiliser spreaders are designed and sized for small lawn tractors, ATV's or other equipment without PTO.

Ideal for parks, gardens, greenhouses, nurseries, athletic fields, etc. The Baby-Hop may also be used as a salt spreader for snow or ice covered roads during winter months.

Row or broadcast spreading may be obtained by simply moving a single lever; also a choice of right only or left only swath spread patterns.

The rotating spreader disc is ground driven by the pneumatic tires which are attached to a drive axle that runs through a sealed gearbox (with tempered high carbon steel gears).

The Baby-Hop should be used to distribute granular fertilisers, seeds, sand and small granular salt. It is not designed for use with powder type material.

Options include a metal skirting to regulate swath spread, and exclusively for the 50 model, a seat for operator's use with walking tractors.

3.01 - Operational Safety



CAUTION: our spreaders are designed considering safety as the most important target and are the safest available in today's market. Unfortunately, human carelessness can override the safety features built into our machines. Injury prevention and work safety, aside from the features on our spreaders, is very much due to the responsible use of the equipment. It must always be operated prudently following with great care, the safety instructions laid out in this manual.



1. The use of this equipment is subject to certain hazards which cannot be prevented by mechanical means or product design. All operators of this equipment must read and understand this entire manual, paying particular attention to safety and operating instructions, prior to using.
2. Do not operate the tractor and spreader when you are tired, sick or when using medication.
3. Keep all helpers and bystanders at least several meters from a spreader. Only properly trained people should operate this machine.
4. Accidents are most likely to occur with machines that are loaned or rented to someone who has not read the operator's manual and is not familiar with a spreader.

5. Always stop the tractor, set brake, shut off the tractor engine, remove the ignition key, and allow spreader moving parts to come to a complete stop before dismounting tractor. Never leave equipment unattended with the tractor running.
6. Never place hands or feet into hopper with tractor engine running or before you are sure all motion has stopped. Stay clear of all moving parts.
7. Do not allow riders on the spreader or tractor at any time. There is no safe place for riders.
8. Do not operate unless all personnel, livestock and pets are several meters away.
9. Before backing up, look behind carefully.
10. Install and secure all guards and shields before starting or operating.
11. Keep hands, feet, hair and clothing away from moving parts.
12. Never operate tractor and spreader under trees with low hanging limbs. Operators can be knocked off the tractor and then run over.
13. Stop spreader immediately upon striking an obstruction. Turn engine off, remove key, inspect and repair any damage before resuming operation.
14. Stay alert for holes, rocks and roots in the terrain and other hidden hazards. Keep away from drop-offs.
15. Use extreme care and maintain minimum ground speed when transporting on hillside, over rough ground and when operating close to ditches or fences. Be careful when turning sharp corners.
16. Reduce speed on slopes and sharp turns to minimise tipping or loss of control. Be careful when changing directions on slopes. Do not start or stop suddenly on slopes. Avoid operation on steep slopes.
17. Inspect the entire machine periodically². Look for loose fasteners, worn or broken parts, and leaky or loose fittings.
18. Pass diagonally through sharp dips and avoid sharp drops to prevent "hanging up" tractor and spreader.
19. Avoid sudden starts and stops while travelling up or downhill.
20. Always operate down slopes; never across the face. Avoid operation on steep slopes. Slow down on sharp turns and slopes to prevent tipping and or loss of control.
21. All remote control devices (cables, ropes, rods, flexible lines, etc.) should be positioned in a way to prevent manoeuvres which could lead to accidents or damages.
22. Before loading the fertiliser in the hopper read carefully the instructions printed on the fertiliser canvas bag concerning the precautions to be taken in case of toxicity or corrosivity of the product. Before loading switch off the engine and remove the ignition key.

3.02 - Set-up

Notice to dealer: pre-delivery set-up and service including lubrication is the responsibility of the authorised dealer. It is up to him to assure that the machine is in perfect condition and ready to be used. It is his responsibility to ensure that the

² See chapter 4 - Maintenance.

customer is aware of all safety aspects and operational procedures for the spreader. He must also fill out the Pre-delivery checklist³ prior to delivering the spreader.



CAUTION: stand clear of bands when cutting as they could be under sufficient tension to cause them to fly loose. Take care in removing bands and wire, they often have extremely sharp edges and cut very easy.

3.03 - Pre-Operational Check

Check each of the following, carefully, prior to engaging the equipment:

1. no wrappings or foreign objects are around the spreader.
2. All hardware is tight.
3. All safety shields and guards are in place and tightly attached.
4. No people or animals are in the work area.



DANGER: shut off the tractor and remove the key before making adjustments, servicing or cleaning the machine.

3.04 - Attaching to the Tractor



CAUTION: always ensure that the tractor tire pressure is correct according to the tractor operator's manual.



DANGER: failure to ensure a secure coupling of the implement to the tractor can cause injury and damage to the implement or tractor.

To attach the spreader to the tractor do the following:

1. slip the tractor drawbar hitch into the towing hitch. Secure the spreader hitch into the tractor drawbar with the pin.
2. Adjust the towing hitch (**see #51, fig. 2**) so that the spreading disc (**see #46, fig. 2**) is horizontal when operating.

3.05 - Start-up

Prior to start working do the following:

³ See chapter 7 - Pre-delivery Checklist.

1. make sure there are no obstructions.
2. Run machine under a no-load condition for a short while to assure that everything is functioning properly.
3. Adjust all settings for the desired quantity distribution and spread pattern.
4. Shift the transmission to a slow speed gear and start forward, increase the ground speed by shifting upward until the desired speed is obtained. Do not use in reverse unless absolutely necessary and only after careful observation of the area behind the spreader.

Before starting to use, never forget that the **operator is responsible** for the following:

1. safe and correct driving of the tractor and spreader.
2. To learn precise, safe operating procedures for both the tractor and the spreader.
3. To ensure all maintenance and lubrication has been performed on the spreader.
4. To have read and understood all safety aspects for the spreader in the operator's manual.
5. To have read and understood all safety decals on the spreader.
6. Checking the tractor tires for the proper pressure in accordance with the tractor operator's manual.
7. **Checking that all shields are on the machine and securely in place.**
8. Making sure the proper attire is worn. Avoiding loose fitting clothing which can become entangled. Wearing sturdy, tough-soled work shoes and protective equipment for eyes, hands, ears and head. Never operate tractor or implements in bare feet, sandals or sneakers.
9. Ensuring proper lighting is available, sunlight or good artificial lighting.

3.06 - Operating Techniques

The quantity of material distributed per acre depends on the following factors:

1. spreader ground speed.
2. Unit weight and size of the material to be spread.
3. Spreading width.
4. Position of the lever.

The working speed depends on ground conditions. Only a test run will enable you to gauge the optimal working speed for your conditions.

Spread adjustment

The Baby Hop's spreading is adjustable in three ways by:

1. regulating the **spread pattern**,
2. regulating the **amount of material to be spread**,
3. regulating the **spreading width**.

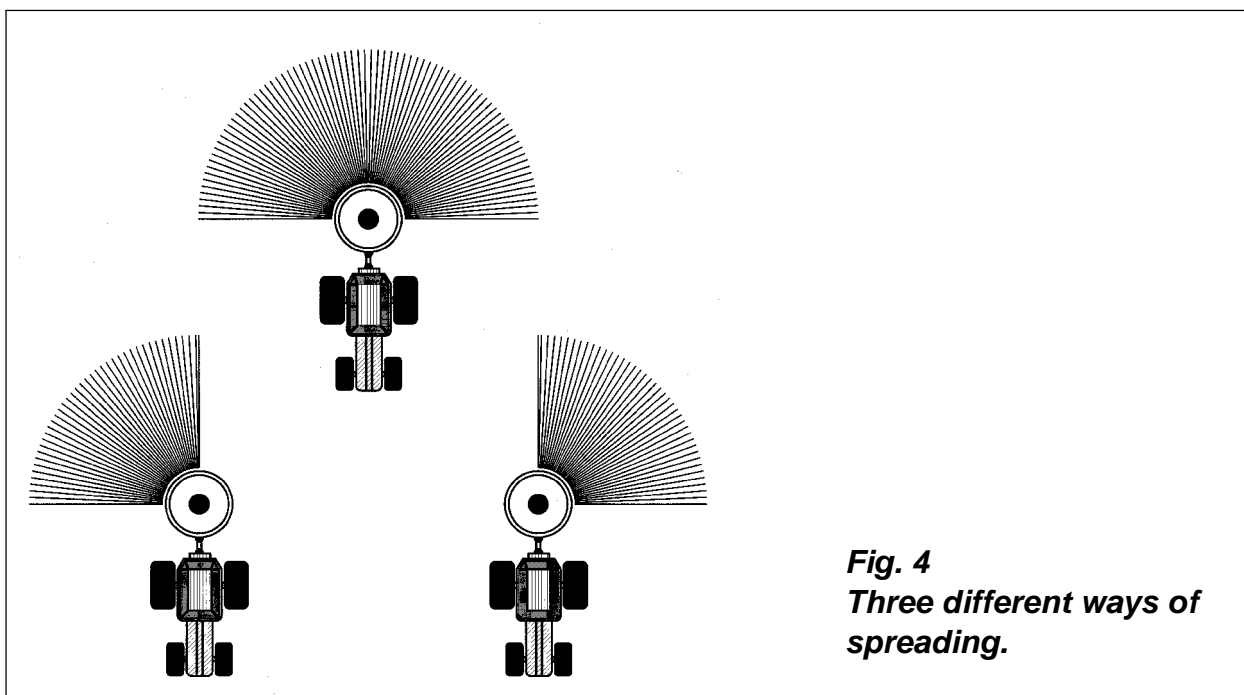
To regulate the **spread pattern** slide (to the left or right) the lever (**see #19, fig. 2**) which is located under the hopper and runs through the slot in the disc shielding (**see #14, fig. 2**). This moves the spread pattern from 180° at position 0 (in the centre), to

either mostly 90° right with the lever shifted all the way to the left or mostly 90° left when shifted to the right completely (see fig. 4).

To regulate the **amount of material to be spread**, using the same lever as above (#19, fig. 2), slide it in and out to regulate the size of opening at the bottom of the hopper. Use the scale located near the lever to gauge the size opening needed. Example: if it is determined that the appropriate opening desired is position #6, loosen the knob (see #20, fig. 2) so the blocking plate will slide. Push the lever in until the hole is completely closed and move the blocking plate to position #6 and tighten the knob. To spread, pull the lever back until it stops in position #6.

To regulate the **spreading width**, ground speed is the most important factor, the faster the ground speed the further the material is thrown. An optional rear deflector (see #49, fig. 2) is available for additional regulation. Move the deflector up and down to change the spreading distance. The higher the deflector is up the further the spread width, the lower the less distance the material travels.

In order to give a guide to the operator, **table 3⁴** gives the amount of material distributed (gr/m²) at two spreading widths (2 meters and 4 meters) verses the lever position.



CAUTION: for emergency reasons learn how to stop the tractor and spreader quickly.

⁴ See table 3, page 17.

3.07 - Uneven Terrain



WARNING: be careful of roll-over when operating tractor and spreader over uneven ground.

In extremely uneven terrain rear wheel weights, front tractor weights, and/or tire ballast should be used to improve stability.

When operating over uneven terrain, observe the type of terrain and develop a safe working pattern. Whenever traction or stability is doubtful, first test drive over the terrain.

Operate the spreader up and down steep slopes, not across slopes, to prevent the tractor from tipping. Avoid sudden stops and starts, and slow down before changing directions on a slope.

Pass diagonally through sharp dips and avoid sharp drops to prevent hanging up the tractor and spreader.

Slow down on sharp turns and slopes to prevent tipping or loss of control.

Watch for holes, roots or other hidden objects. Do not use near the edge of a gully, ditch or stream bank.

TABLE 1 - TORQUE SPECIFICATIONS

Diameter	Class 8.8		Class 10.9	
	N.m	lb.ft	N.m	lb.ft
M 8	25	18	35	26
M 10	50	37	70	52
M 12	90	66	125	92
M 14	140	103	200	148
M 16	215	155	305	225
M 18	295	217	420	309
M 20	420	302	590	438

When using locks, nuts, increasing torque values by 5%.

TABLE 2 - BABY HOP - TECHNICAL FEATURES

Series Baby-Hop				
Model	Hopper capacity Lt	Carrying weight kg	Weight kg	Loading height cm
Baby-Hop 50	42	55	26	80
Baby-Hop 100	105	135	34	97
Baby-Hop 160	150	180	38	111

Optional equipment: the optional deflector shield (#49, fig. 2) is designed to reduce the spreading width so that the Baby-Hop can be used to spread salt on sidewalks, driveways, etc. The optional seat (#1, fig. 2) for the Baby-Hop 50 is for use with walking tractors.

TABLE 3 - SWATH SPREADING PATTERNS (gr/m²)

Lever position	Spreading width 2 meters		Spreading width 4 meters	
	3 km/h	6 km/h	3 km/h	6 km/h
1	31,2	17,4	15,4	8,8
2	62,4	31,2	30,8	16,5
3	94,6	49,6	47,2	24,2
4	137,6	69,3	67	36,2
5	180	90	92	45
6	229,6	109,7	113,1	56
7	274,6	135	137	67
8	324,2	161,6	160,3	81,2
9	373,8	186,9	185,5	92
10	-	211,2	-	105,4

4 - MAINTENANCE



DANGER: stop engine, lock parking brake and remove key before performing any service or maintenance.

Always use personal protection devices, such as glasses or gloves when performing maintenance.

Keep fingers out of slots to prevent injury.

4.01 - Maintenance Safety



1. Good maintenance is your responsibility.
2. Keep service area clean and dry. Be sure electrical outlets and tools are properly grounded. Use adequate light for the job at hand.
3. Make sure there is plenty of ventilation. Never operate the engine of the towing vehicle in a closed building. The exhaust fumes may cause asphyxiation.
4. Make no repair or adjustments with the tractor engine running. Before working on the machine, disengage the PTO, shut off the engine, set the brakes, and remove the ignition key.
5. Be certain all moving parts on attachment have come to a complete stop before attempting to perform maintenance.
6. Never work under equipment unless it is blocked securely.
7. Always use personal protection devices such as eye, hand and hearing protectors, when performing any service or maintenance.
8. Periodically tighten all bolts, nuts and screws and check that all cotter pins are properly installed to ensure unit is in a safe condition.
9. When completing a maintenance or service function, make sure all safety shields and devices are installed before placing unit in service.
10. Do not attempt to mount a tire unless you have the proper equipment and experience to do the job.
11. Inflating or servicing tires can be dangerous. Whenever possible, trained personnel should be called to service and/or mount tires.
12. After servicing, be sure all tools, parts and service equipment are removed.
13. Never replace hex bolts with less than grade five bolts unless otherwise specified, i.e. shear bolts⁵.
14. Where replacement parts are necessary for periodic maintenance and servicing, genuine replacement parts must be used to restore your equipment to original

⁵ Refer to table 1 - Torque Specifications, for head identification marking.

specifications. The company will not claim responsibility for use of unapproved parts and/or accessories and other damages as a result of their use.

15. Unauthorised modifications to the machine may impair the function and/or safety of the machine and reduce its life. If equipment has been altered in any way from original design, the manufacturer does not accept any liability for injury or warranty.

4.02 - Service

Before beginning work:

1. apply a thick layer of grease to all exposed moving parts.
2. Apply a film of biodegradable oil in crevasses and corners in order to keep corrosive material from rusting areas that are difficult to clean.

After each use:

1. be sure to thoroughly wash the machine without using excessive pressure especially on the moving parts. It is particularly important to wash the implement after using salt or fertiliser. This will help prevent the caustic chemicals in the salt and fertiliser from destroying the metal of the machine.
2. Carefully dry the machine.
3. Apply a thick layer of grease to all exposed moving parts.
4. Apply a film of biodegradable oil in crevasses and corners.

After seasonal use it is important to perform the following for prolonged storage:

1. wash and dry the spreader carefully.
2. Inspect the spreader and replace worn or damaged parts. If corrosive material has eaten under the paint, clean off the area with a wire brush and touch-up with primer and paint.
3. Tighten all hardware.
4. Apply a thick layer of grease to all exposed moving parts.
5. Apply a film of biodegradable oil in crevasses and corners.
6. Cover the spreader from the elements in order to have it in perfect conditions for the start of the next season.

NOTE: the gearbox has been filled with EP grade grease from the factory. The grease never needs replacing unless internal work is done to the gearbox.

4.03 - Transport



CAUTION: do not tow tractor and spreader behind other vehicles. Use a properly equipped trailer with heavy tie-downs for towing operations.

Before transporting:

1. always select a safe ground speed that is appropriate for the terrain.
2. Beware of traffic on public roads. Install a SMV (Slow Moving Vehicle) sign when travelling on roads or streets.
3. Reduce ground speed when turning and take care that the spreader does not strike obstacles such as trees, fences or buildings.

5 - REPAIR PROCEDURES



CAUTION: all repair procedures must be done by authorised dealerships. It is not recommended that untrained individuals perform any repair work.

If cracks and scorings have occurred on the machine:

1. brush them using a wire brush and touch-up with primer and paint.
2. Store the implement on wooden boards.

5.01 - Suggested Spare Parts

It is suggested that the following spare parts be kept on hand for the spreader at all times to prevent a minor problem from delaying work:

Description	Quantity
Spreader disc	1
Threaded bushing	1
Nylon bushing M21	2

6 - TROUBLESHOOTING



WARNING: be sure tractor engine is off, parking brake is locked, and key is removed before making any adjustments.

PROBLEM	POSSIBLE CAUSE	SOLUTION
Non uniform spread pattern.	Opening lever not positioned correctly.	Set lever and gate opening to the proper position (see section 3.06 - Operating Techniques).
Spinner disc does not turn.	Drive wheel bolt missing or sheared. Spinner disc "R" cotter pin missing or sheared. Broken ring or pinion gear.	Replace bolt. Replace "R". Replace ring or pinion gear.
Narrow spread width.	Slow ground speed. Hopper too far backwards.	Increase ground speed. Position spreader so it runs level or inclined slightly forward toward the towing vehicle.

7 - PRE-DELIVERY CHECKLIST

To the dealer: inspect the machine thoroughly after assembly to assure it is functioning properly before delivering it to the customer. The following checklist is a reminder of points to cover. Check off each item as it is found satisfactory or after proper adjustment is made.

- Gearbox oil level.
- Guards and shield properly fastened.
- Lubrication of grease fittings.
- All hardware properly tightened.
- All decals properly located and readable (**see fig. 3**).
- Blades properly installed, blade bolts & nuts tightened.
- Overall condition (touch up scratches, clean and polish).
- Test run, check for excessive vibration or overheating of bearings.
- Operator's Manual.

Review the operator's manual with the customer. Explain the following:

- Warranty.
- Safe operation and service.
- Correct machine installation and operation.
- Daily and periodic lubrication, maintenance and inspections.
- Troubleshooting.
- Operational procedures and storage.
- Parts and service.
- Remove and fill out the Delivery and Warranty Registration form.
- Give customer the operator's manual and encourage the customer to read the manual carefully.

IMPORTANT: warranty is not valid unless Delivery and Warranty Registration Form in operator's manual is completed in detail and mailed to the Company.

Model Number: _____

Serial Number: _____

Delivery Date: _____

Dealer's Signature: _____

8 - WARRANTY

The Company warrants its machine from defects in material and workmanship. The machines are warranted from the invoice date for the following periods.

1. **24 months** for private use.
2. **12 months** for commercial, contractual and public use.
3. **30 days** for loan or rental.

This warranty is valid only if the Warranty Registration Form is properly completed and sent to the Company within 14 days of delivery along with copy of the invoice.

This warranty is valid only if the machine is paid for in full.

The warranty coverage shall not be transferable from the first owner to any subsequent owner.

This document is the only warranty for this machine, any other promises, express or implied other than those set forth herein are not applicable.

The customer can not request any special provisions or changes to this warranty covering additional responsibilities or liability from the Company.

The Company determines whether the warranty covers the substitution or the repairing of the machine or parts.

The customer is responsible, in all cases, for expenses of lubricants, transportation, any custom duties and applicable taxes.

The substitution or the repair of parts under warranty do not extend the length of said warranty.

This limited warranty does not apply to and excludes drivelines and driveline related safety devices (shear pin yokes, shear pins, slip clutches, clutch discs), tires, belts, blades and other wear items.

At no time will the responsibility of the Company surpass the original purchase price of the machine. The purchaser agrees, not to have any rights to any compensation from the Company, including but not limited to, any eventual damages or accidents, loss of profit, loss of sales, injuries or damages of any kind or nature, or other accidents or losses which could result.

If during the period covered by this warranty, the machine fails to perform due to material or workmanship defects, the purchaser is to immediately make the Company aware of this defect. It is the Company's right to determine if the machine is to have parts replaced, repaired or the machine returned.

The Company will not accept any returned items without prior express written authorisation.

This warranty does not cover cost of labour for the replacement of parts.

Misuse or use of this machine other than ways outlined in the operator's manual or literature invalidates this warranty.

All obligations of the Company under this limited warranty shall be terminated if original parts of this machine have been modified or altered in any way, the machine has been repaired by unauthorised dealers, or when unauthorised spare parts have been used. The Company reserves the right to modify or update machines without the obligation of modifying or updating previously sold machines.

Venue: any judgements will be decided by the Verona Court.

EC Declaration of Conformity
according to Directive 2006/42/EC

We

ROTOMECC spa
Via Molino di Sopra, 56
37054 Nogara (Verona), Italy

declare under our sole responsibility, that the product

Pull Type Fertiliser Spreader
Baby-Hop '50', '100' & '160'

to which this declaration relates corresponds to the relevant basic safety and health requirements of the Directive 2006/42/EC.

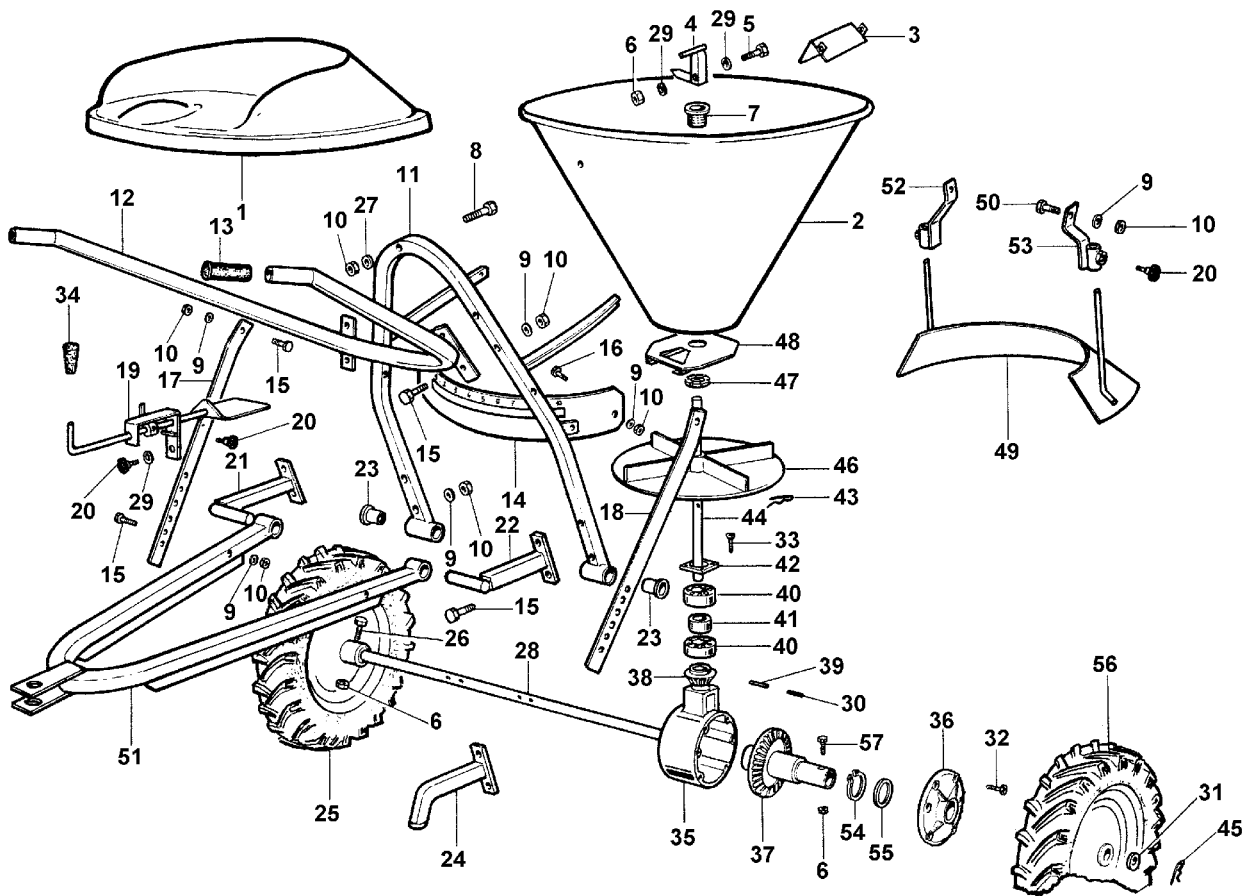
For the relevant implementation of the safety and health requirements mentioned in the Directives, the following standards were consulted: ISO 4254-1.

Pio G. Figna
Chief Executive Officer

Nogara,

9 - PARTS MANUAL

Baby-Hop 50, 100 and 160



N.	COD.	DESCRIZIONE	DESCRIPTION	DESCRIPTION	BESCHREIBUNG	N.
1	501-616B	Sedile per tramoggia 50 lt	Seat for hopper 50 lt	Siège trémie 50 lt	Trichtersitz	1
2	501-617B	Tramoggia 50 lt	Hopper for 50 lt	Trémie 50 lt	Trichter 50 lt	1
	501-618B	Tramoggia 100 lt	Hopper for 100 lt	Trémie 100 lt	Trichter 100 lt	1
	501-882B	Tramoggia 160 lt	Hopper for 160 lt	Trémie 160 lt	Trichter 160 lt	1
3	501-658B	Protezione agitatore	Stirrer guard	Protection	Rührerschutzabdeckung	1
4	501-619B	Agitatore	Stirrer	Agitateur	Rührer	1
5	501-620B	Vite TE D.6x30	Bolt TE D.6x30	Vis D.6x30	Schraube D.6x30	1
6	005 0165	Dado D.6 autobloccante	Locking nut D.6	Ecrou autobloquant D.6	Mutter D.6	3
7	502-028B	Boccola filettata	Threaded bushing	Douille	Gewindebüchse	1
8	501-623B	Vite TT D.8x40	Carriage bolt TT D.8x40	Vis TT D.8x40	Schraube TT D.8x40	1
9	001 5230	Rondella piana D.8	Flat washer D.8	Rondelle plate D.8	Flache Scheibe D.8	12
10	000 1806	Dado D.8	Nut D.8	Ecrou D.8	Mutter D.8	13
11	501-624B	Telaio 50lt - 100lt	Frame 50lt - 100lt	Châssis 50lt - 100lt	Rahmen 50lt - 100lt	1
	503-883B	Telaio 160 lt	Frame 160 lt	Châssis 160 lt	Rahmen 160 lt	1
12	010 3121	Stegola per uso manuale	Handle for manual control	Guidon manuel	Sterz für Handbedienung	1
13	010 3122	Manopola per stegola	Handle hand grip	Poignée pour guidon	Handgriffe	2
14	501-625B	Protezione	Guard	Protection	Schutz	1
15	501-626B	Vite TE D.8x40	Bolt TE D.8x40	Vis D.8x40	Schraube D.8x40	8
16	004 6454	Vite TE D.8x16	Bolt TE D.8x16	Vis D.8x16	Schraube D.8x16	2
17	501-628B	Asta destra per registro timone	Right hitch adjustment	Tige droit	Rechte Stange zur Deichseleinstellung	1
18	502-629B	Asta sinistra per registro timone	Left hitch adjustment	Tige gauche	Linke Stange zur Deichseleinstellung	1
19	501-630B	Gruppo registro portina	Flow control assembly	Groupe de réglage	Türeinsteilaggregat	1
20	501-631B	Volantino D.6x15	Adjustment knob D.6x15	Volant à main D.6x15	Stellrad D.6x15	2
21	501-632B	Attacco timone destra	Right hitch connection	Attache droit	Rechte Deichselankupplung	1
22	501-633B	Attacco timone sinistra	Left hitch connection	Attache gauche	Linke Deichselankupplung	1
23	502-029B	Boccola nylon D.21	Nylon bushing D.21	Douille en nylon D.21	Büchse D.21	2
24	010 3123	Piede appoggio	Bearing pad	Pied de soutien	Auflagefuß	2
25	501-999B	Ruota pneumatica 13"x6"	Air tire 13"x6"	Roue pneumatique 13"x6"	Luftreifen 13"x6"	1
	501-999B	Ruota pneumatica 16"x8"	Air tire 16"x8"	Roue pneumatique 16"x8"	Luftreifen 16"x8"	1
26	502-031B	Vite TE D.6x50	Bolt TE D.6x50	Vis D.6x50	Schraube D.6x50	1
27	003-6228	Rondella piana D.8x24	Flat washer D.8x24	Rondelle plate D.8x24	Flache Scheibe D.8x24	1
28	502-032B	Assale 50 lt - 100 lt	Axle 50 lt - 100 lt	Assieu 50 lt - 100 lt	Achse 50 lt - 100 lt	1
	503-682B	Assale 160 lt	Axle 160 lt	Assieu 160 lt	Achse 160 lt	1
29	005 0166	Rondella piana D.6	Flat washer D.6	Rondelle plate D.6	Flache Scheibe D.6	3
30	502-034B	Spina elastica D.3x20	Roll pin D.3x20	Goupille élastique D.3x20	Spannstift D.3x20	1
31	004 6555	Rondella piana D.20	Flat washer D.20	Rondelle plate D.20	Flache Scheibe D.20	2
32	502-035B	Vite NTC 3,9x22	Self tapping screw NTC 3,9x22	Vis NTC 3,9x22	Schraube NTC 3,9x22	6
33	502-036B	Vite NTC 3,9x16	Self tapping screw NTC 3,9x16	Vis NTC 3,9x16	Schraube NTC 3,9x16	4
34	501-639B	Pomello registro portina	Adjustment knob	Pommeau de réglage	Türeinsteilgriff	1
35	502-037B	Corpo scatola	Gearbox housing	Boîte	Gehäusegruppe	1